

1x4 RJ45 Connector
 with LEDs and Integrated Magnetics
 for 10/100Base-TX Hub and Switch application

HR911402AE

Electrical Specification @25°C

RoHS Compliant (PB Free)

Operating Temperature Range: -40°C ~ +85°C

Isolation: 1500Vrms 0.5mA 60sec (J1~8 to P1~6, J1~8 to Shield)

OCL: 350uH Minimum @100KHz 100mV with 8mADC

Insertion Loss: -1.0dB Maximum @300KHz ~ 100MHz

Return Loss: -20dB Minimum @1MHz ~ 10MHz / -16dB Minimum @10MHz ~ 30MHz

-12dB Minimum @30MHz ~ 60MHz / -10dB Minimum @60MHz ~ 80MHz

Common Mode Rejection: -30dB Minimum @1MHz ~ 50MHz

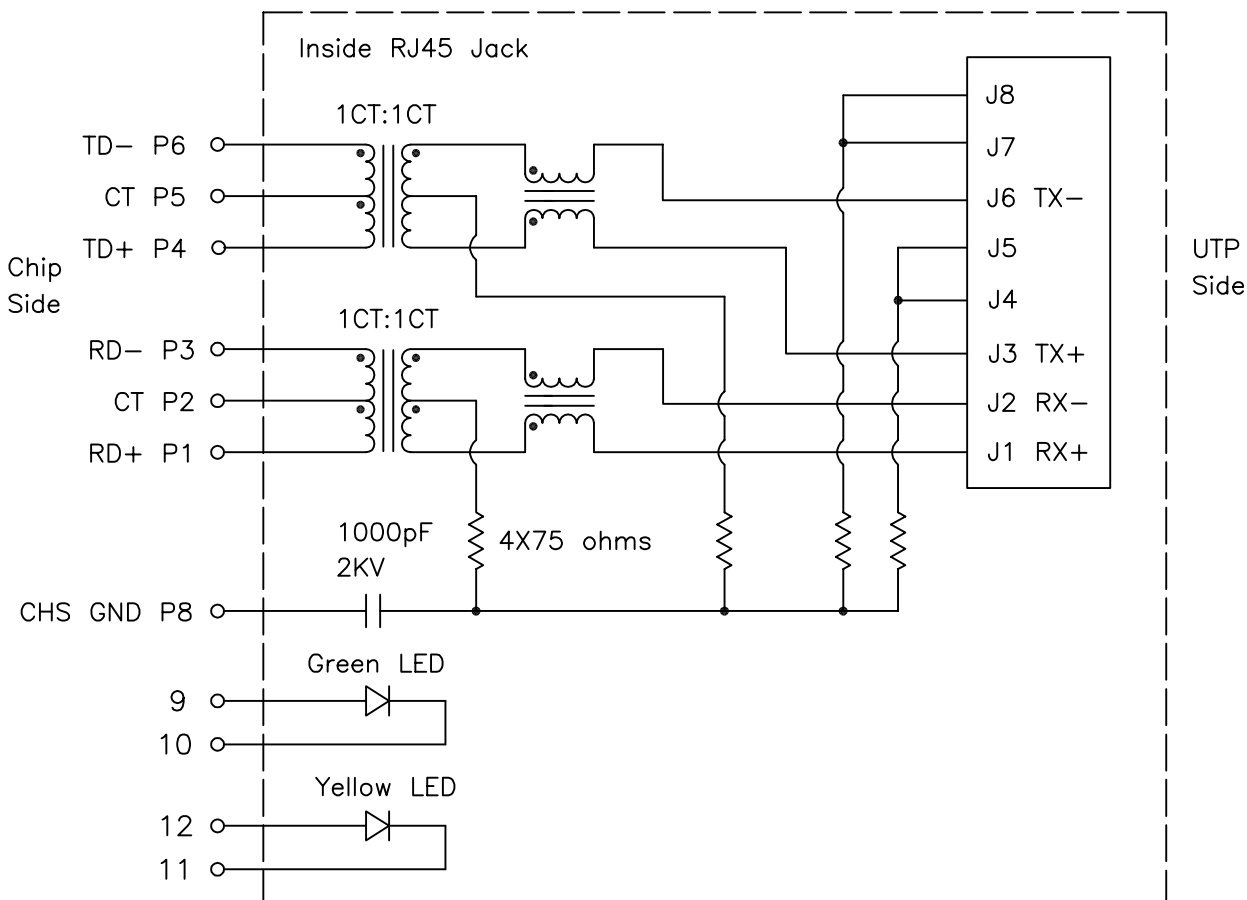
-20dB Minimum @50MHz ~ 150MHz

Crosstalk: -40dB Minimum @1MHz ~ 30MHz

-35dB Minimum @30MHz ~ 60MHz

-30dB Minimum @60MHz ~ 100MHz

Schematics

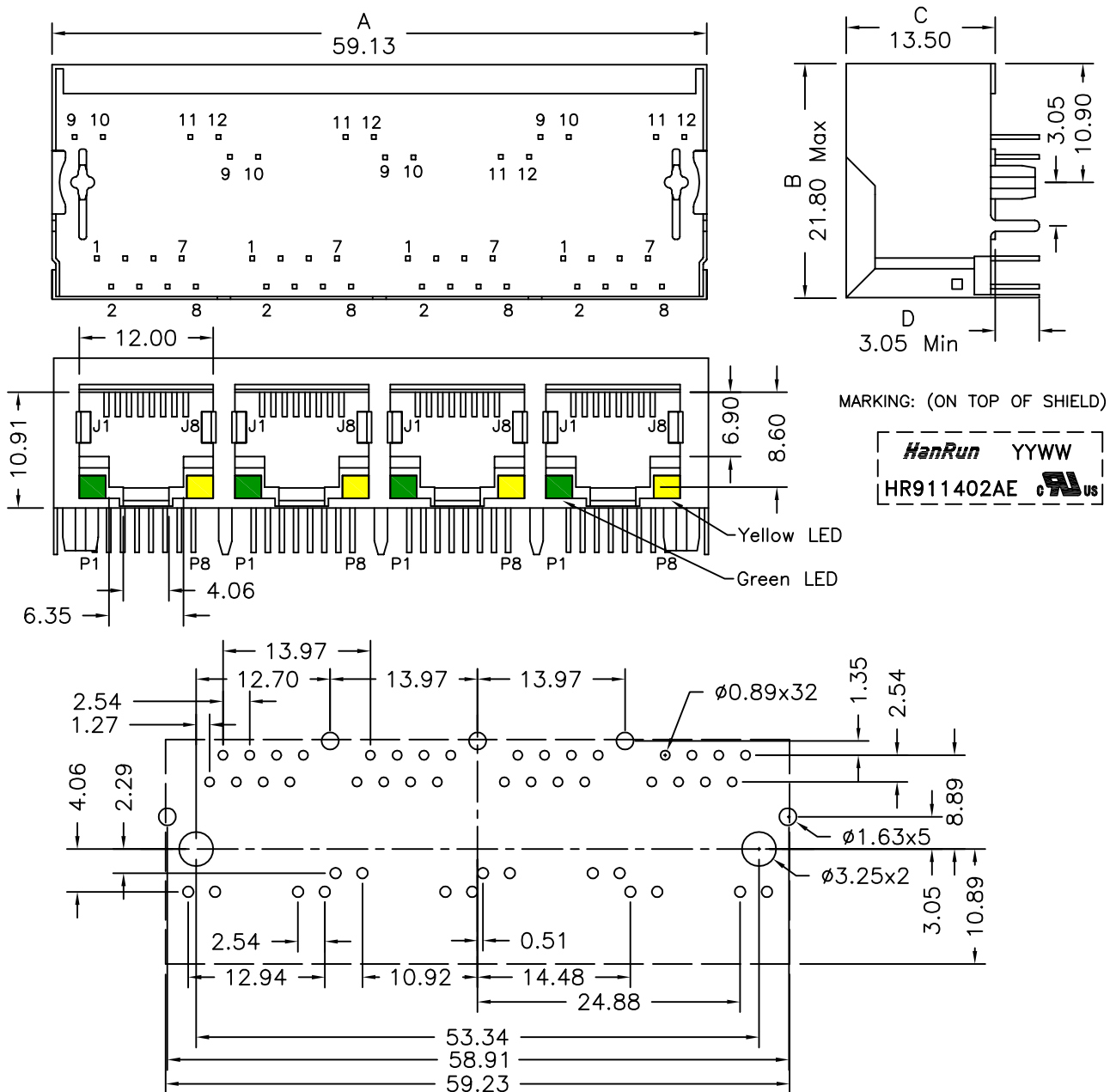


Notes: Connect CHS GND PIN8 to PCB Ground

1x4 Ports RJ45 Connector
with LEDs and Magnetics Module

HR911402AE

Mechanical Dimensions



Standard LED	Wavelength	Forward V (Min/Max)	Forward A	Type
Green	568nm	1.8V/2.8V	20mA	squareness
Yellow	586nm	1.8V/2.8V	20mA	squareness

Dimensions in mm

Unless otherwise specified, Tolerance: .xx ±0.25

REV.00