

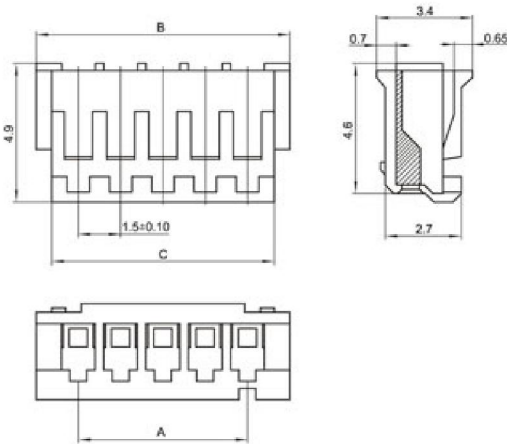
◆ SPECIFICATIONS

Unit:mm

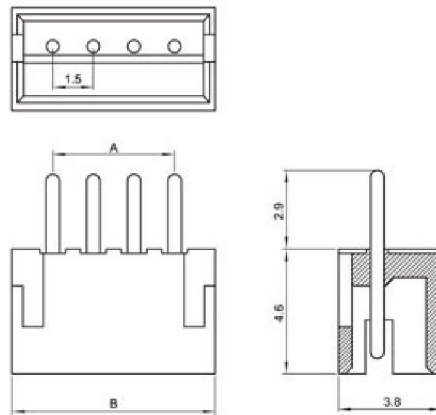
- ◇ Poles: 2~16
- ◇ Applicable wire: AWG#28-#22
- ◇ Voltage rating: 250V DC/AC
- ◇ Current rating: 1.0A
- ◇ Withstand voltage: 500V AC
- ◇ Working Temperature: -25°C~+85°C
- ◇ Insulation resistance: $\geq 1000M\Omega$
- ◇ Contact resistance: $\leq 0.02\Omega$
- ◇ Applicable PC board thickness: 0.6~1.2mm

UL:Recognized No.E309635
RoHS-specification and
Halogen-free products

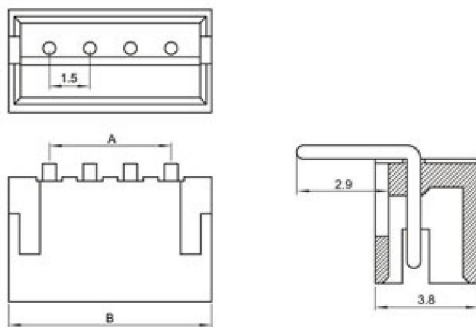
ZH-nY



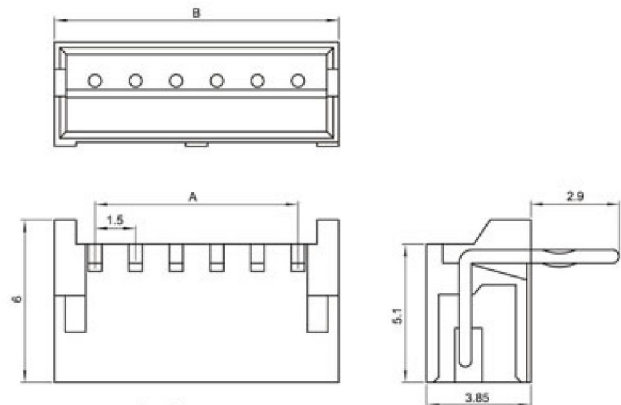
ZH-nA



ZH-nAW



ZH-nAWD



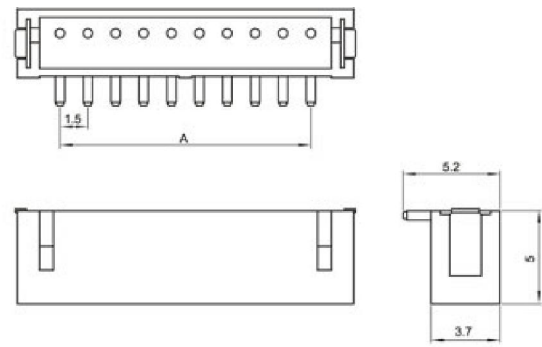
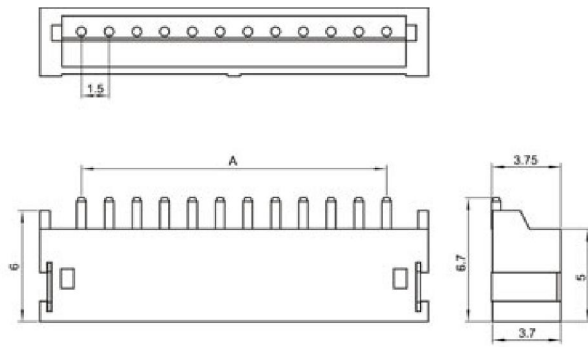
Unit:mm

ZH-nA 卧贴

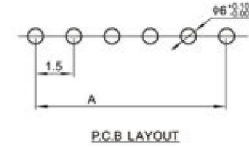
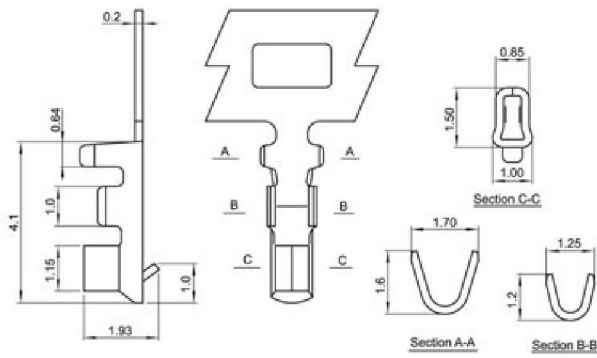


ZH-nA 立贴





ZH-PT



Poles	Type	Size(mm)			Poles	Type	Size(mm)	
		A	B	C			A	B
2	ZH-2Y	1.5	4.5	3.4	2	ZH-2A	1.5	4.5
3	ZH-3Y	3.0	6.0	4.9	3	ZH-3A	3.0	6.0
4	ZH-4Y	4.5	7.5	6.4	4	ZH-4A	4.5	7.5
5	ZH-5Y	6.0	9.0	7.9	5	ZH-5A	6.0	9.0
6	ZH-6Y	7.5	10.5	9.4	6	ZH-6A	7.5	10.5
7	ZH-7Y	9.0	12.0	10.9	7	ZH-7A	9.0	12.0
8	ZH-8Y	10.5	13.5	12.4	8	ZH-8A	10.5	13.5
9	ZH-9Y	12.0	15.0	13.9	9	ZH-9A	12.0	15.0
10	ZH-10Y	13.5	16.5	15.4	10	ZH-10A	13.5	16.5
11	ZH-11Y	15.0	18.0	16.9	11	ZH-11A	15.0	18.0
12	ZH-12Y	16.5	19.5	18.4	12	ZH-12A	16.5	19.5
13	ZH-13Y	18.0	21.0	19.9	13	ZH-13A	18.0	21.0
14	ZH-14Y	19.5	22.5	21.4	14	ZH-14A	19.5	22.5
15	ZH-15Y	21.0	24.0	22.9	15	ZH-15A	21.0	24.0
16	ZH-16Y	22.5	25.5	24.4	16	ZH-16A	22.5	25.5

Terminal(ZH)

Type	Applicable wires		O.D of wire ins mm	Material	Finish
	mm ²	AWG#			
BM-ZH	0.08-0.3	28-22	1.2-1.9	Phos.bronze	Tin-plated