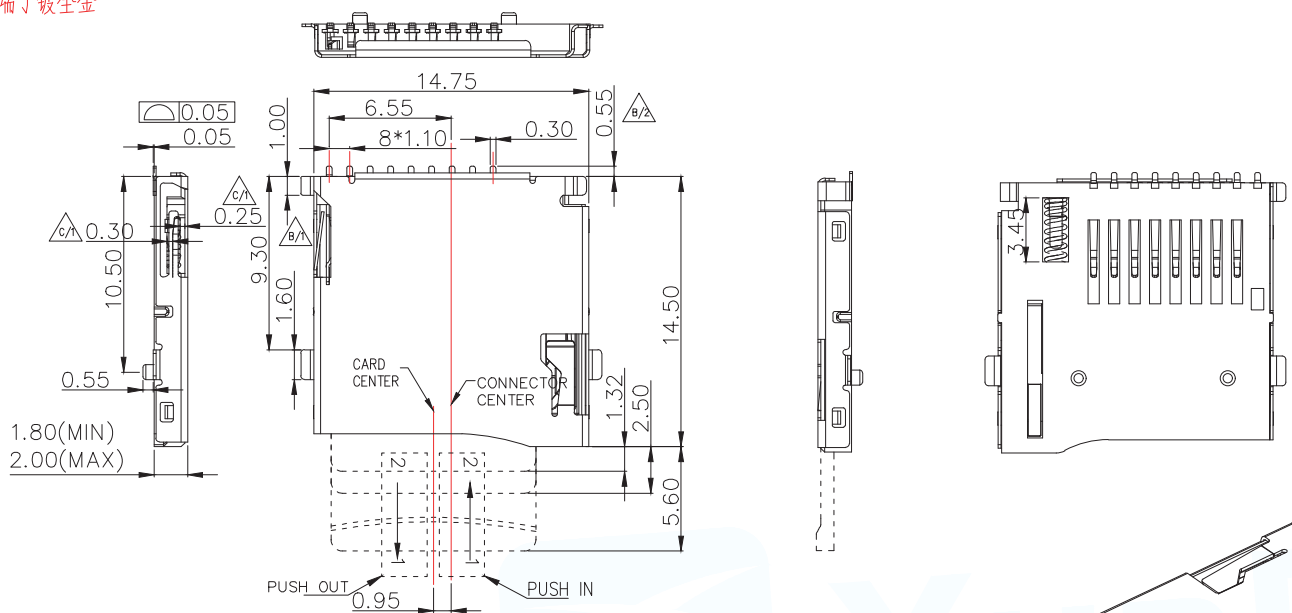
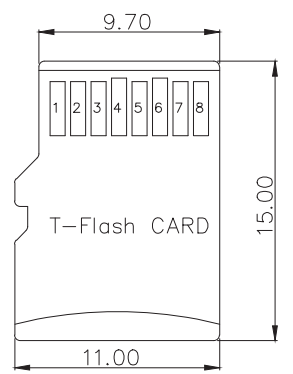
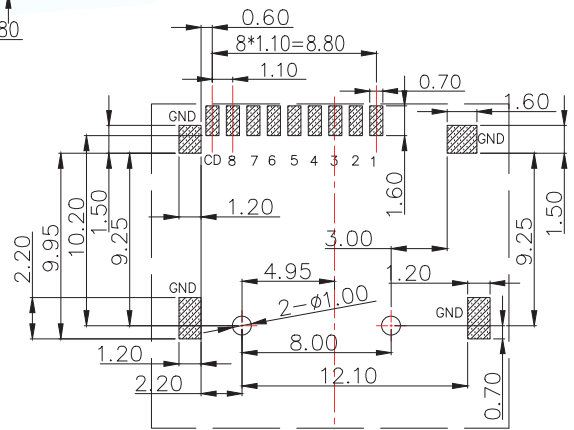
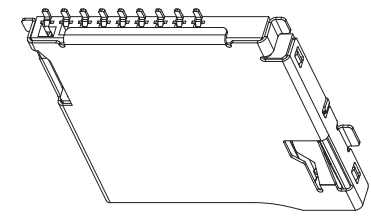
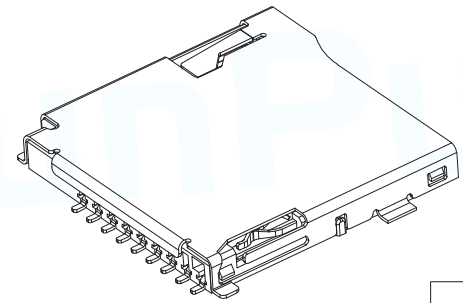
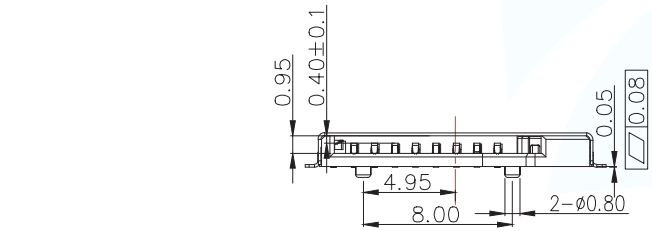


端子镀全金



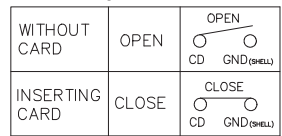
NOTES:

- 1.MATERIAL:
HOUSING: HIGH TEMPERATURE THERMOPLASTIC UL94V_0,COLOR: BLACK.
CONTACT: COPPER ALLOYS.
COVER: COPPER ALLOYS OR STEEL.
- 2.PLATING:
UNDERPLATE: NICKEL.
CONTACT AREA: GOLD OVER NICKEL.
SOLDER AREA: TIN OVER NICKEL.
- 3.MULTIMEDIA CARD COMPATIBLE



PAD AREA
 KEEP OUT AREA

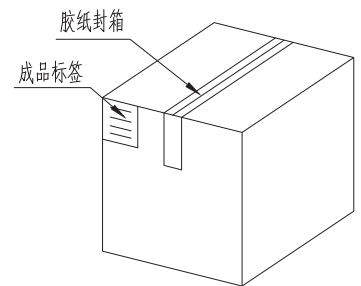
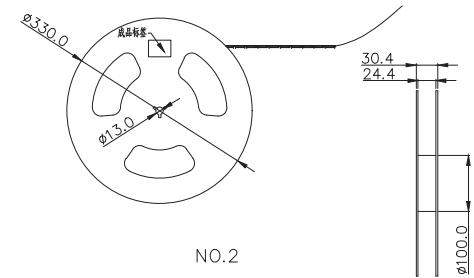
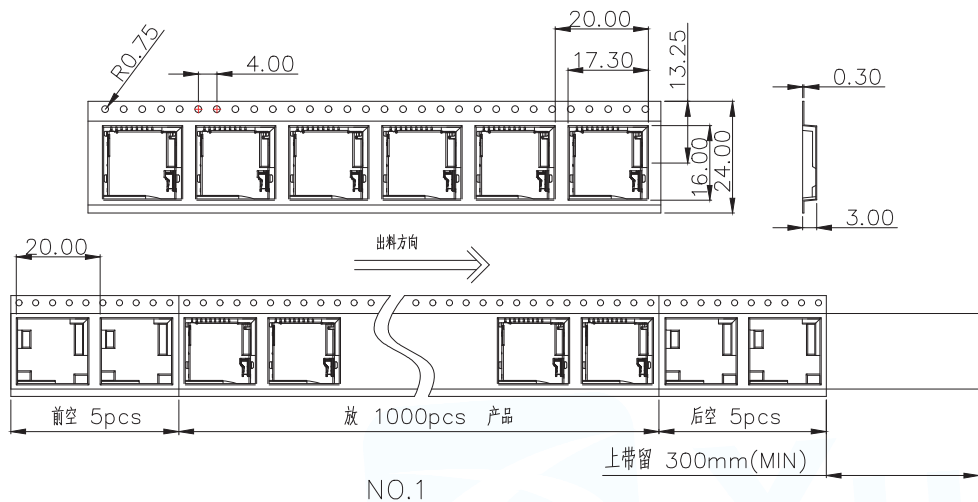
Circuit Diagram for Detect Switch



RECOMMENDED PCB LAYOUT
GENERAL TOLERANCE ±0.05

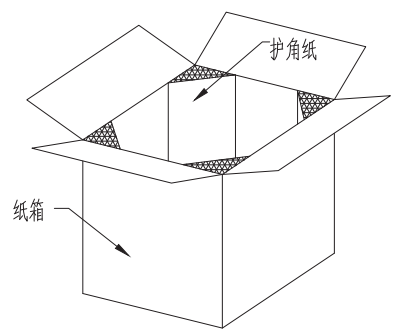
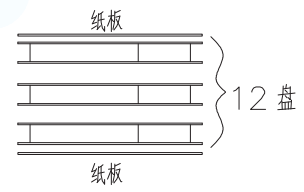
TF CARD PIN DEFINE			
PIN NO.	NAME	YYPE	DESCRIPTION
1	DAT2	I/O/PP	DATE LINE(BIT2)
2	CD/DAT3	I/O/PP	CARD DETECT DATE LIN(BIT3)
3	CMD	PP	COMMAND RESPONSE
4	VDD	S	SUPPLY VOLTAGE
5	CLX	I	CLOCK
6	VSS	S	SUPPLY VOLTAGE GROUND
7	DAT0	I/O/PP	DATE LINE(BIT0)
8	DAT1	I/O/PP	DATE LINE(DIT1)

MANUFACTURE DWG		东莞市讯普电子科技有限公司 DongGuan XunPu Electronics Co.,Ltd	
UNLESS OTHERWISE SPECIFIED TOLERANCES			TITLE: MICRO SD CARD PUSH PUSH SMT 镀金 外焊
DECIMALS:	ANGLES:		PAR TF-115
X.X: ±0.35	X.X': ±3°		DWN
X.XX: ±0.25	X.XX': ±2°		CHKD
X.XXX: ±0.15		APVD	SCALE1:1 UNIT: MM
CUSTOMER COPY		SIZE: A4	SHEET: 1F1
			REV: A



纸箱规格: 340*340*385

NO.4



NO.3

1. 材质要求:

- 1.1 纸箱的材质为K=K; 外形尺寸为34*34*38.5;
- 1.2 卷盘的材质为PS, 卷盘的外形尺寸为 $\phi 330*30.4$;
- 1.3 卷带的材质为PS, 卷带的外形尺寸为20200*24.00*3.0mm;

2. 包装方式:

- 2.1 将卷带放入包装机后, 前空5PCS, 后放产品1000PCS, 再后空5PCS; 上带留300MM长度。
- 2.2 将包装好的产品从包装机上取下并包装好, 贴上内盘标签;
- 2.3 把累叠好的12盘放入纸箱中共计12Kset, 上下放纸板, 纸箱四个角塞护角纸;
- 2.4 把包装好的成品打包封箱, 并在纸箱外贴上标签

MANUFACTURE DWG		东莞市讯普电子科技有限公司 DongGuan XunPu Electronics Co., Ltd	
UNLESS OTHERWISE SPECIFIED TOLERANCES			TITLE: MICRO SD CARD PUSH PUSH SMT 镀金 外焊
DECIMALS:	ANGLES:		PAR TF-115
X.X: ± 0.35	X.X': $\pm 3'$		DWN
X.XX: ± 0.25	X.XX': $\pm 2'$		CHKD
X.XXX: ± 0.15		APVD	SCALE: 1:1 UNIT: MM
CUSTOMER COPY		SIZE: A4	SHEET: 1F1 REV: A