



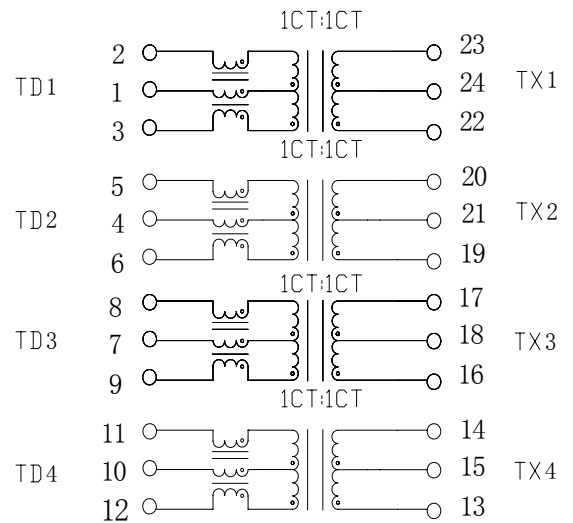
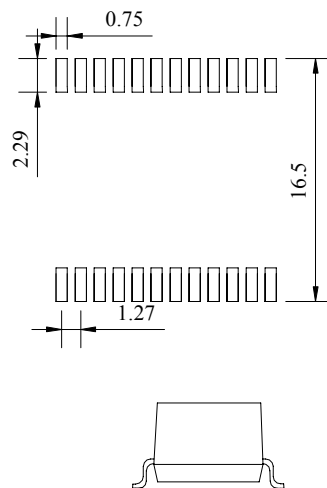
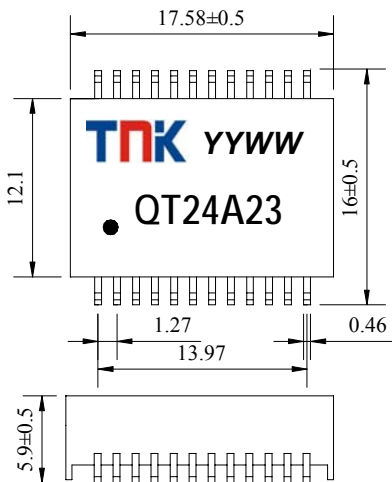
- ✚ Designed to meet IEEE802.3ab requirement
- ✚ Designed to meet IR 255°C peak requirement
- ✚ Primary inductance 350uH min with 8mA DC Bias
- ✚ ROHS Compliant
- ✚ Operating temperature range:-40°C to +85°C
- ✚ Storage temperature range:-25°C to +125°C

Electrical Specifications @ 25°C

Part Number	Turn Ratio		Insertion Loss 0.5 ~100MHz (dB Max)	Return Loss (dB Min)			Cross Talk (dB Min)		CMRR (dB Min)	CWW (Max)	LK (Max)	DCR (Max)	Hi-Pot (Vrms)
	Tx	Rx		0.5-30 MHz	30.1-60 MHz	60.1-80 MHz	0.5-40 MHz	40.1-100 MHz					
QT24A23	1:1	1:1	-1.0	-16	-14	-12	-35	-30	-30	28 pF	0.5 uH	1.2Ω	1500

Mechanical

Schematics



Dimension:mm

Unless otherwise specified,tolerances:±0.25(mm)

Data sheet subject to change without notice