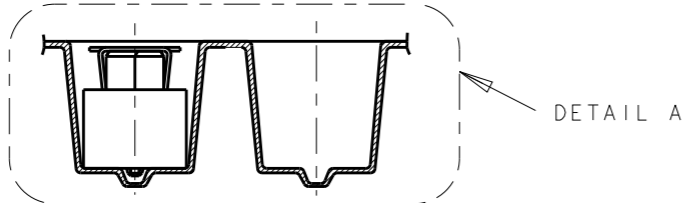
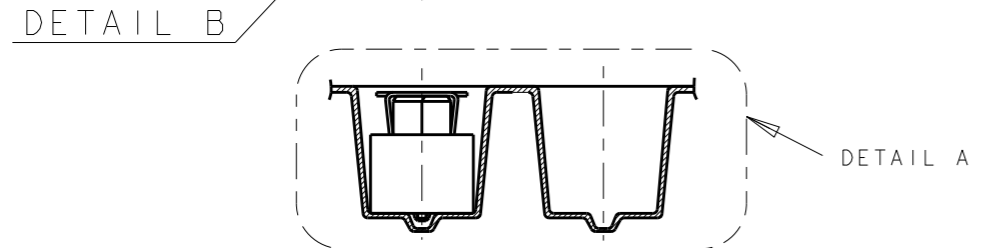
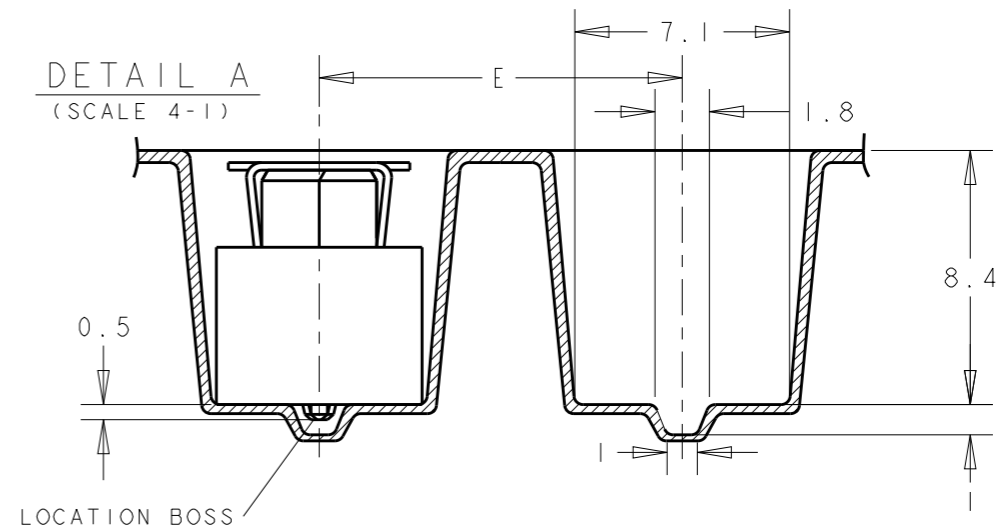
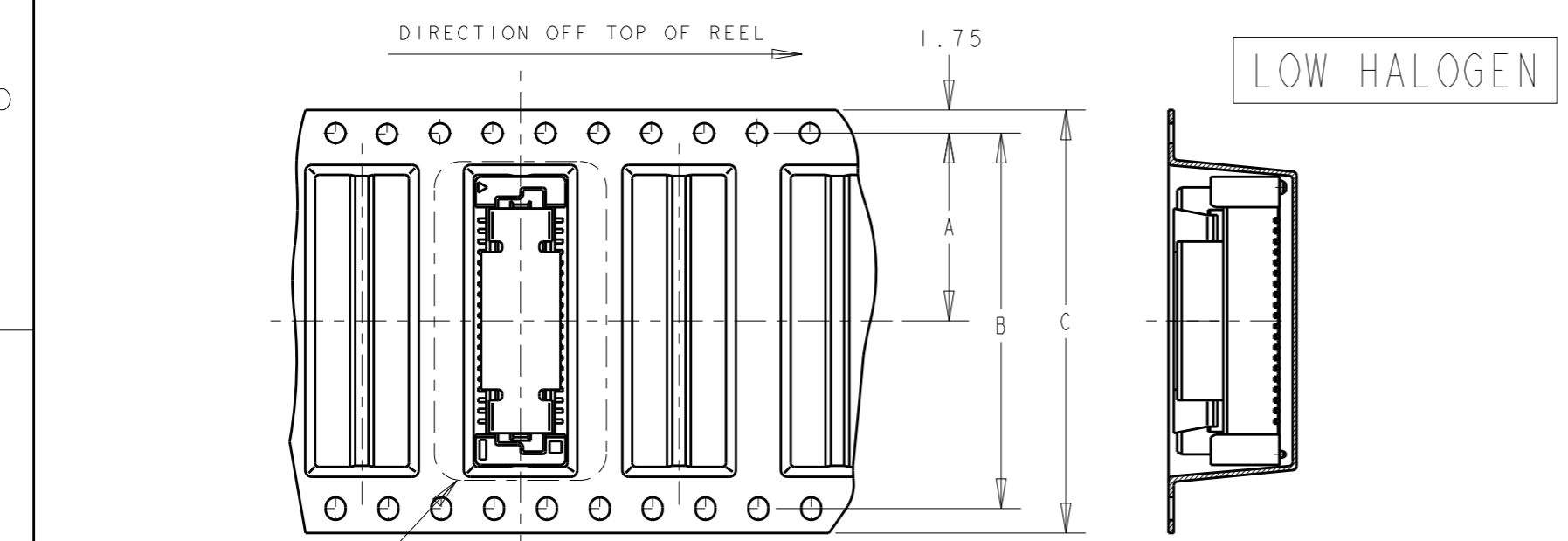
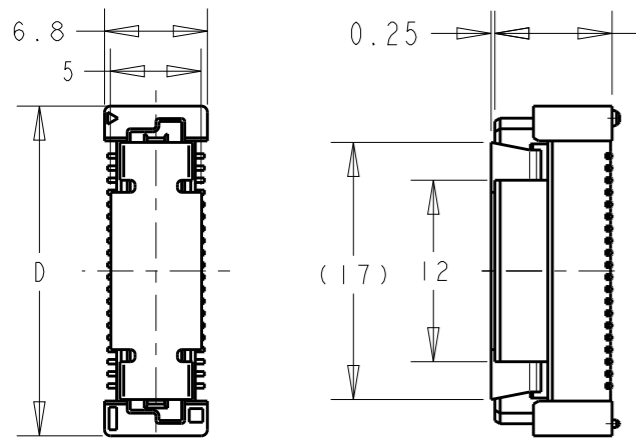
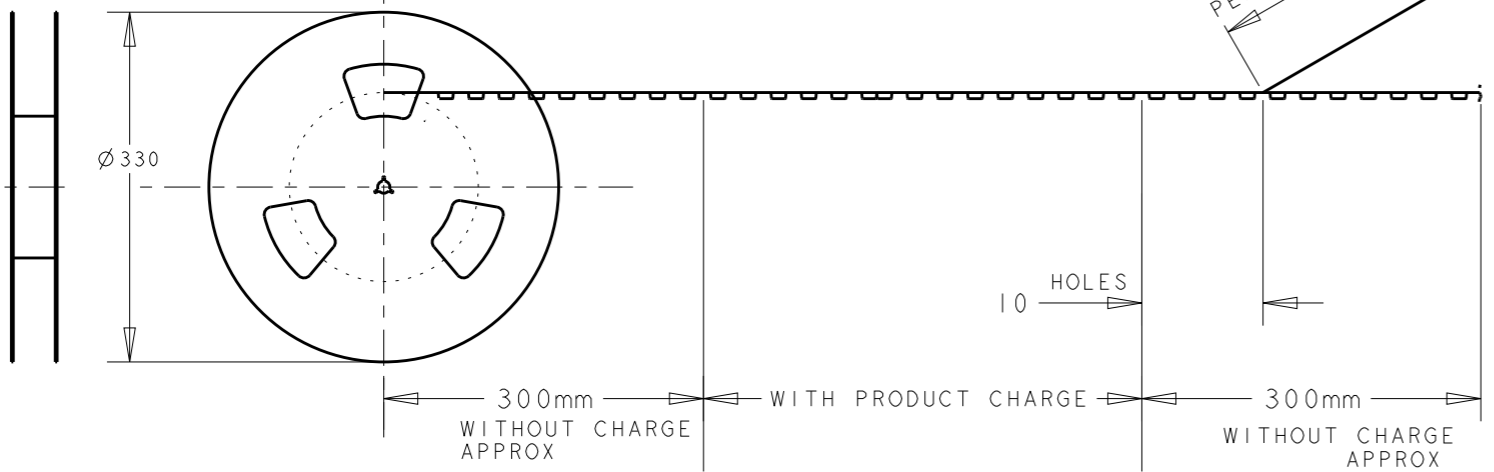


THIS DRAWING IS UNPUBLISHED. RELEASED FOR PUBLICATION 20
 © COPYRIGHT 20 BY - ALL RIGHTS RESERVED.

REVISIONS					
P	LTR	DESCRIPTION	DATE	DWN	APVD
	DI	REVISED PER ECO-17-018044	22NOV2017	R.L	H.L



WINDING THE COVER TAPE
 AROUND THE OUTER
 PERIPHERY IN A TURN.



- NOTES:
- 1 0.00076 MIN GOLD PLATING. (30u INCHES GOLD PLATING)
 - 2 0.00020 MIN GOLD PLATING. (Au FLASH PLATING)
 - 3 0.00038 MIN GOLD PLATING. (15u INCHES GOLD PLATING)
 - 4 0.000076 MIN GOLD PLATING (3u INCHES GOLD PLATING)

WITH STEEL COVER

STEEL COVER

REMARKS	QTY	E	D	C	B	A	POS	PART NO
4	400	16	45.8	72	68.4	34.2	100	9- -4
	500	12	37.8	56	52.4	26.2	80	9- -3
	500	12	29.8	44	40.4	20.2	60	9- -2
	500	12	21.8	32	28.4	14.2	40	9-5179180-1
1	400	16	61.8	88	84.4	42.2	140	7- -6
	400	16	53.8	72	68.4	34.2	120	7- -5
	400	16	45.8	72	68.4	34.2	100	7- -4
	500	12	37.8	56	52.4	26.2	80	7- -3
2	500	12	29.8	44	40.4	20.2	60	7- -2
	500	12	21.8	32	28.4	14.2	40	7-5179180-1
	400	16	61.8	88	84.4	42.2	140	9- -6
	400	16	61.8	88	84.4	42.2	140	5- -6
3	400	16	53.8	72	68.4	34.2	120	5- -5
	400	16	45.8	72	68.4	34.2	100	5- -4
	500	12	37.8	56	52.4	26.2	80	5- -3
	500	12	29.8	44	40.4	20.2	60	5- -2
9	500	12	21.8	32	28.4	14.2	40	5-5179180-1
	400	16	61.8	88	84.4	42.2	140	3- -6
	400	16	53.8	72	68.4	34.2	120	3- -5
	400	16	45.8	72	68.4	34.2	100	3- -4
3	500	12	37.8	56	52.4	26.2	80	3- -3
	500	12	29.8	44	40.4	20.2	60	3- -2
	500	12	21.8	32	28.4	14.2	40	3-5179180-1

THIS DRAWING IS A CONTROLLED DOCUMENT.		DWN FLORENCE TAN 14SEP04
DIMENSIONS: mm		CHK ERIC TNG
TOLERANCES UNLESS OTHERWISE SPECIFIED:		APVD SE LEONG
0 PLC ±-	1 PLC ±0.3	PRODUCT SPEC
2 PLC ±0.25	3 PLC ±0.2	APPLICATION SPEC
4 PLC ±-	ANGLES ±3°	WEIGHT
MATERIAL	FINISH	CUSTOMER DRAWING

TE Connectivity

STE

NAME: REC ASSY'Y 9H TYPE (0.5 BOSS L) FOR FH 0.8mm B-T-B CONN ON TAPING

SIZE: A3 CAGE CODE: 00779 DRAWING NO: C-5179180 RESTRICTED TO: -

SCALE: 2:1 SHEET: 1 OF 3 REV: DI

THIS DRAWING IS UNPUBLISHED.

RELEASED FOR PUBLICATION

20

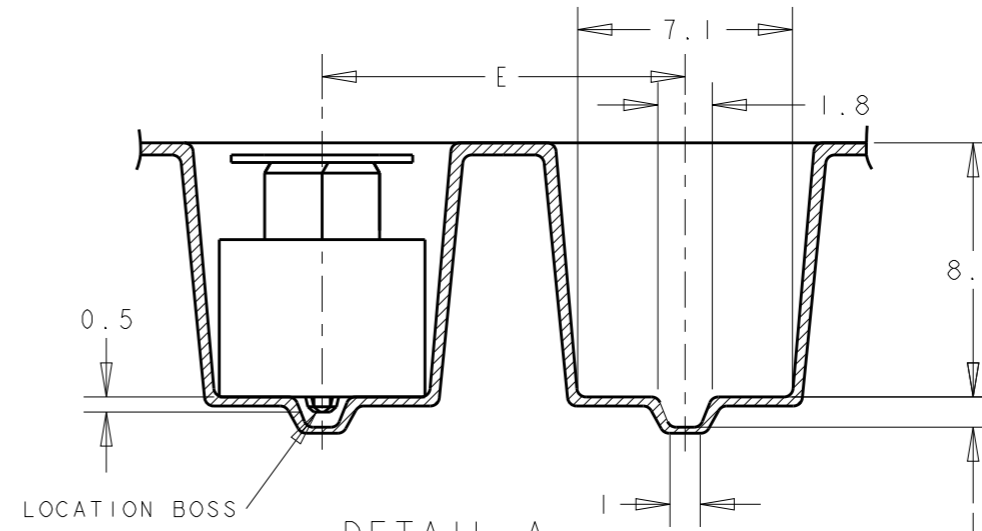
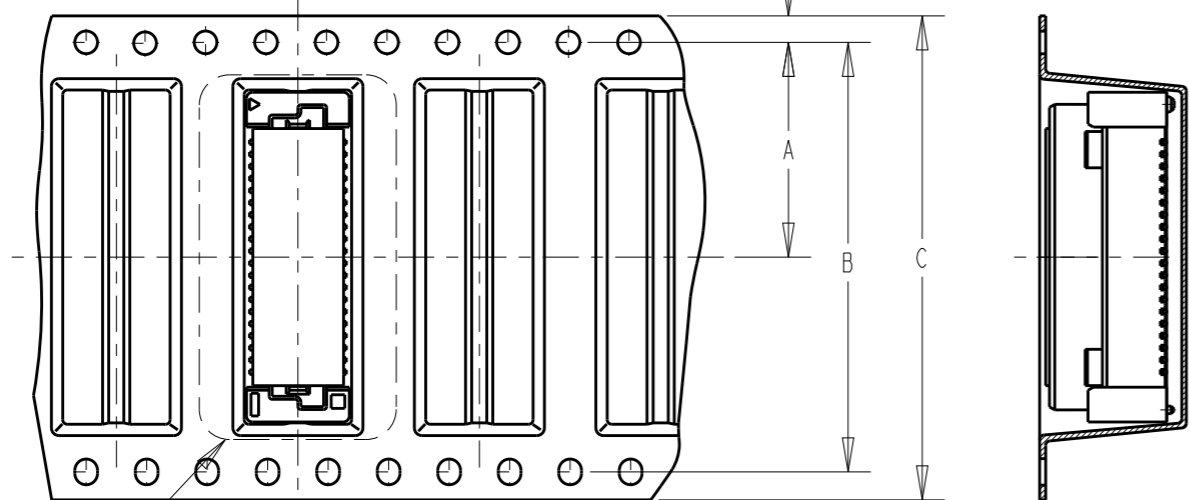
© COPYRIGHT 20 BY - ALL RIGHTS RESERVED.

REVISIONS

P	LTR	DESCRIPTION	DATE	DWN	APVD
		SEE SHEET 1 OF 3			

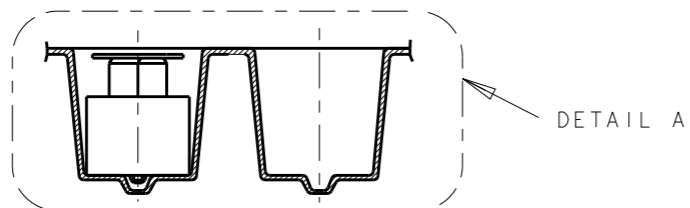
DIRECTION OFF TOP OF REEL

1.75

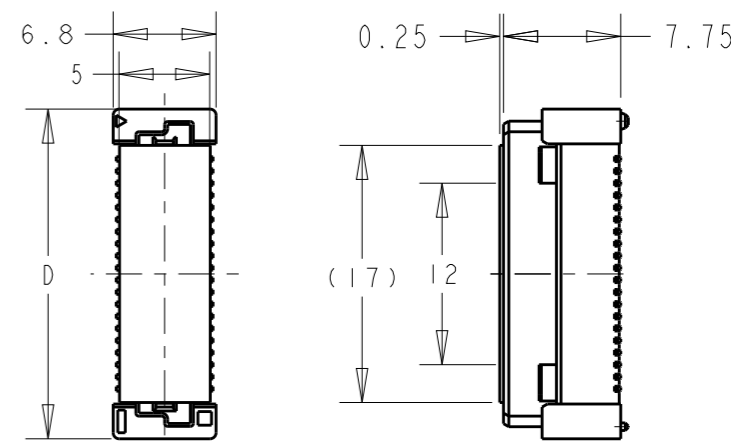
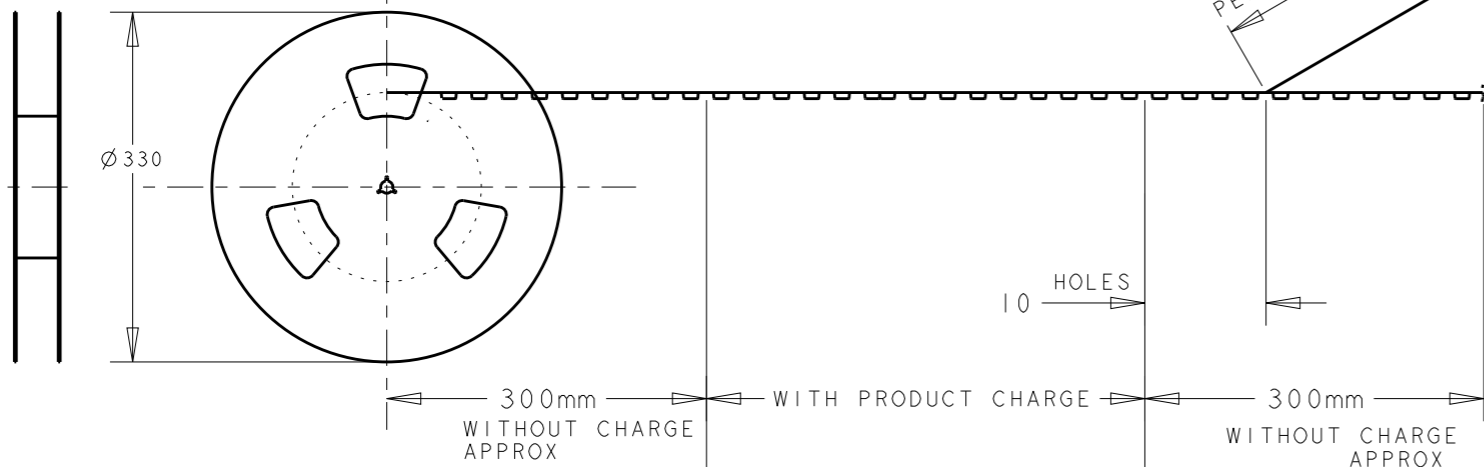


LOW HALOGEN

DETAIL B



WINDING THE COVER TAPE AROUND THE OUTER PERIPHERY IN A TURN.




DETAIL B

POLYIMIDE COVER

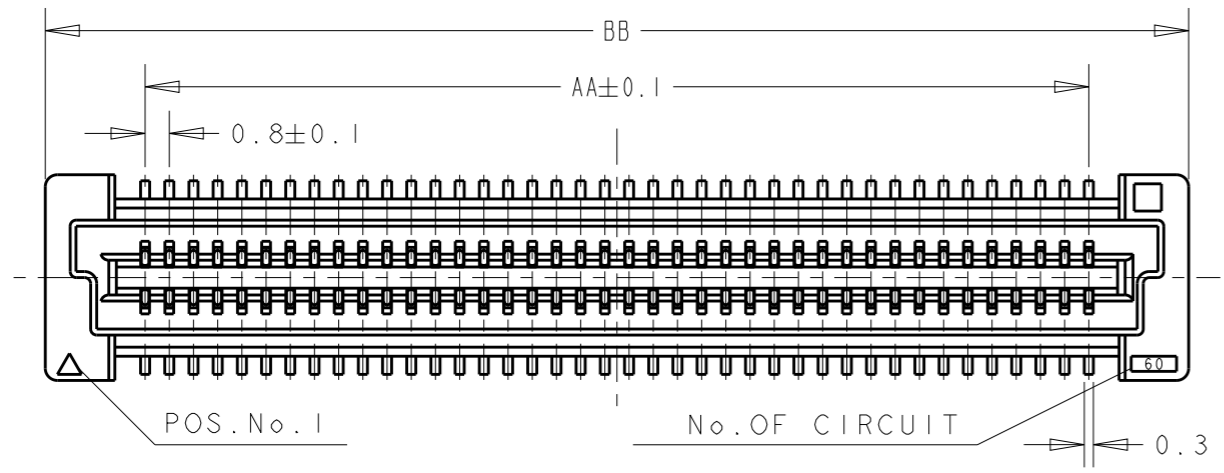
9	2	400	16	61.8	88	84.4	42.2	140	9-5179180-6
REMARKS	QTY	E	D	C	B	A	POS	PART NO	

WITH POLYIMIDE COVER

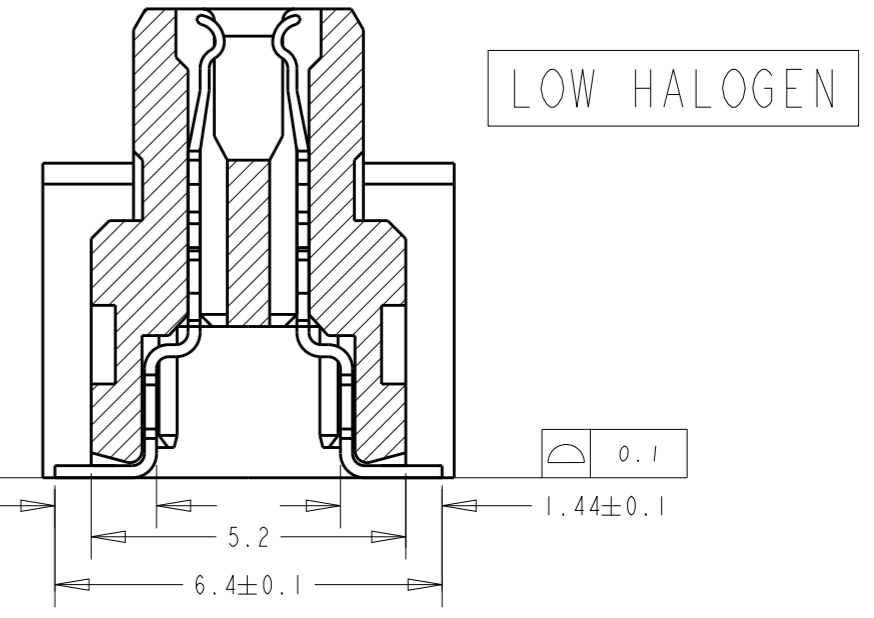
THIS DRAWING IS A CONTROLLED DOCUMENT.		DWN FLORENCE TAN 14SEP04	 TE Connectivity	
DIMENSIONS: mm		CHK ERIC TNG		
TOLERANCES UNLESS OTHERWISE SPECIFIED:		APVD SEIFONG	NAME REC ASSY'Y 9H TYPE (0.5 BOSS L) FOR FH 0.8mm B-T-B CONN ON TAPING	
0 PLC ±0.3		PRODUCT SPEC	SIZE	
1 PLC ±0.25		APPLICATION SPEC	CAGE CODE	
2 PLC ±0.2			DRAWING NO	
3 PLC ±0.2			RESTRICTED TO	
4 PLC ±0.2		WEIGHT	A3 00779 C-5179180	
ANGLES ±3°			SCALE 2:1	
MATERIAL			SHEET 2 OF 3	
FINISH			REV DI	
		CUSTOMER DRAWING		

THIS DRAWING IS UNPUBLISHED. RELEASED FOR PUBLICATION 20
 © COPYRIGHT 20 BY - ALL RIGHTS RESERVED.

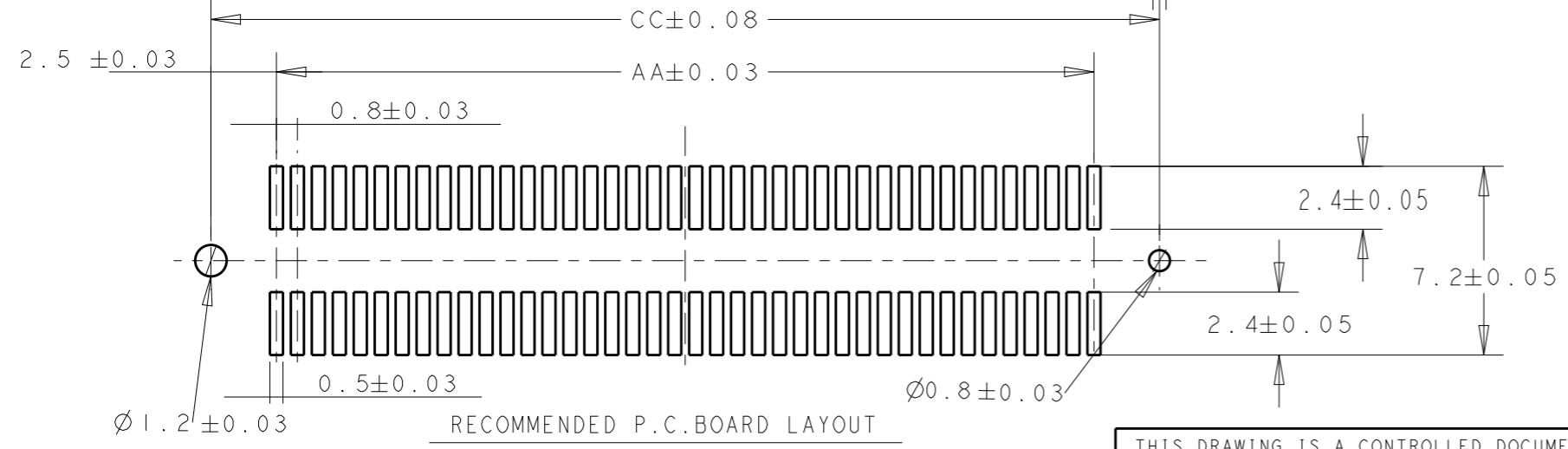
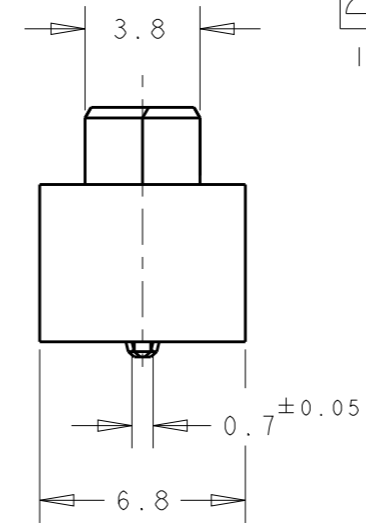
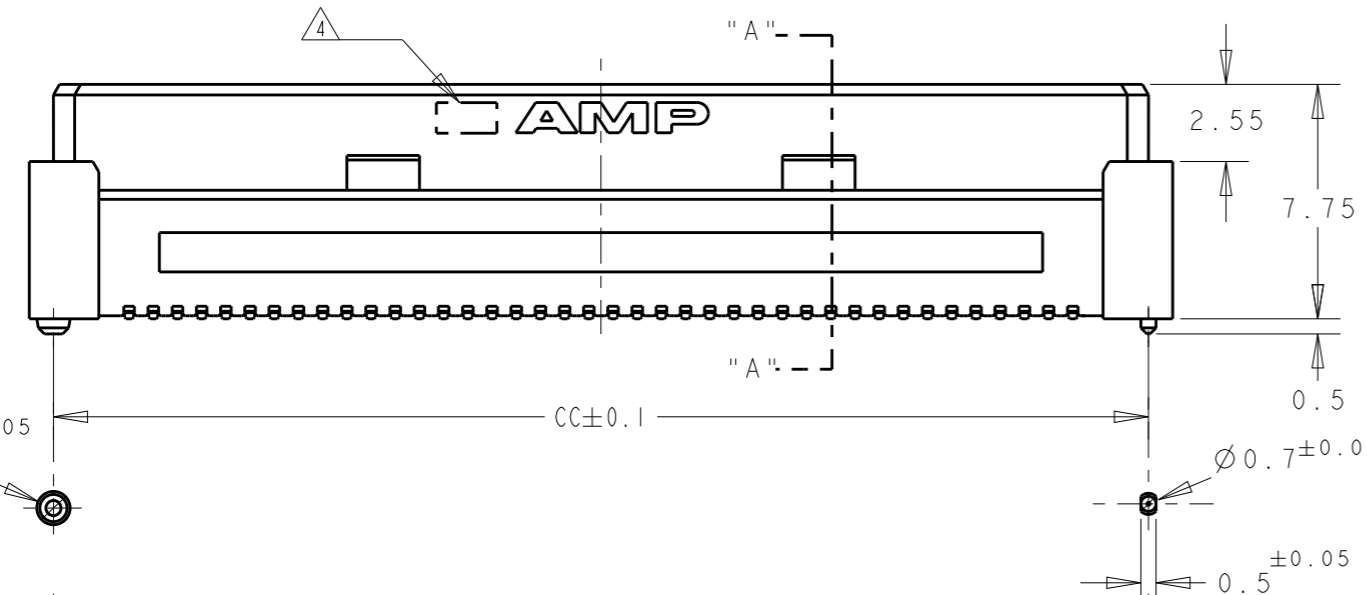
REVISIONS				
P	LTR	DESCRIPTION	DATE	APVD
		SEE SHEET 1 OF 3		



CONNECTOR ONLY



SECT "A" - "A"
(SCALE: 8-1)



84.20	85.80	79.20	200
76.20	77.80	71.20	180
68.20	69.80	63.20	160
60.20	61.80	55.20	140
52.20	53.80	47.20	120
44.20	45.80	39.20	100
36.20	37.80	31.20	80
28.20	29.80	23.20	60
20.20	21.80	15.20	40
CC	BB	AA	POS.

- NOTES:
- 1 MATERIAL: HOUSING: L.C.P. (HIGH TEMP. THERMOPLASTIC)
UL 94V-0, NATURAL.
CONTACT: BERYLIUM COPPER.
 - 2 FINISH: CONTACT AREA: 0.0002 MIN GOLD ON
0.0013 MIN ALL OVER NICKEL.
SOLDERING AREA: 0.002 MIN MATTE-TIN
 - 3. CONN STACK HEIGHT COMBINE OF PLUG "Y" H VS REC "X" H.
STACK HEIGHT = Y + X - 5
 - 4 MANUFACTURE PLANT LOCATION MARK. QINGDAO:
 - 5 CONNECTOR WITH BLACK HOUSING AND POLYIMIDE COVER

THIS DRAWING IS A CONTROLLED DOCUMENT.	
DIMENSIONS: mm	TOLERANCES UNLESS OTHERWISE SPECIFIED:
	0 PLC ±0.3
	1 PLC ±0.25
	2 PLC ±0.2
	3 PLC ±0.2
	4 PLC ±0.2
	ANGLES ±3°
MATERIAL	FINISH
-	-

DWN	14SEP04
FLORENCE TAN	
CHK	-
ERIC TNG	
APVD	-
SEIFONG	
PRODUCT SPEC	
APPLICATION SPEC	
WEIGHT	
CUSTOMER DRAWING	

STE TE Connectivity

NAME: REC ASSY'Y 9H TYPE
(0.5 BOSS L) FOR FH 0.8mm B-T-B CONN
ON TAPING

SIZE	CAGE CODE	DRAWING NO	RESTRICTED TO
A3	00779	C=5179180	-

SCALE: 2:1 SHEET 3 OF 3 REV D1