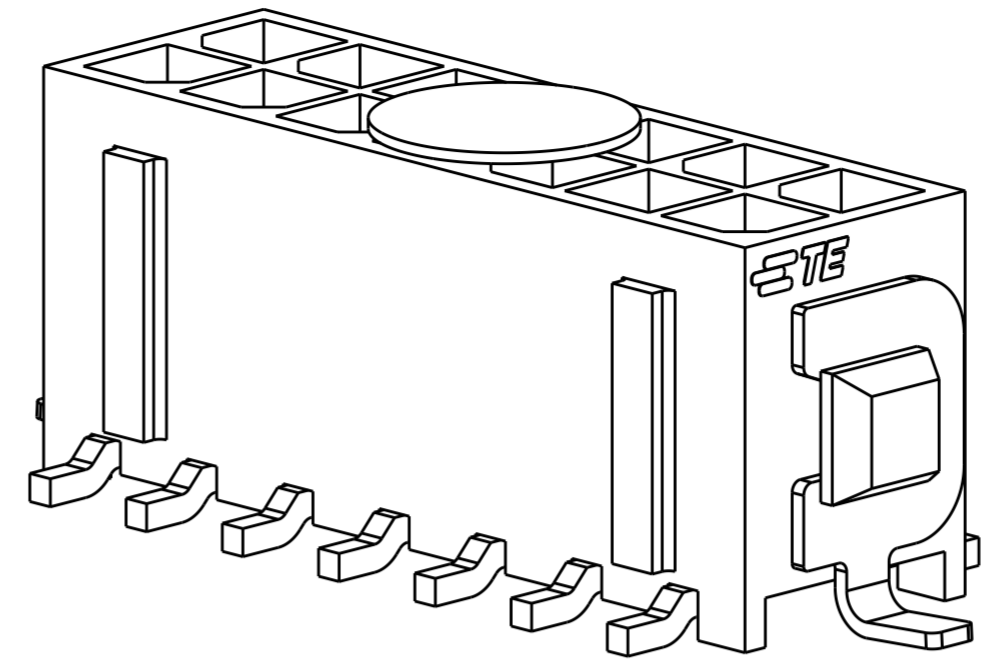
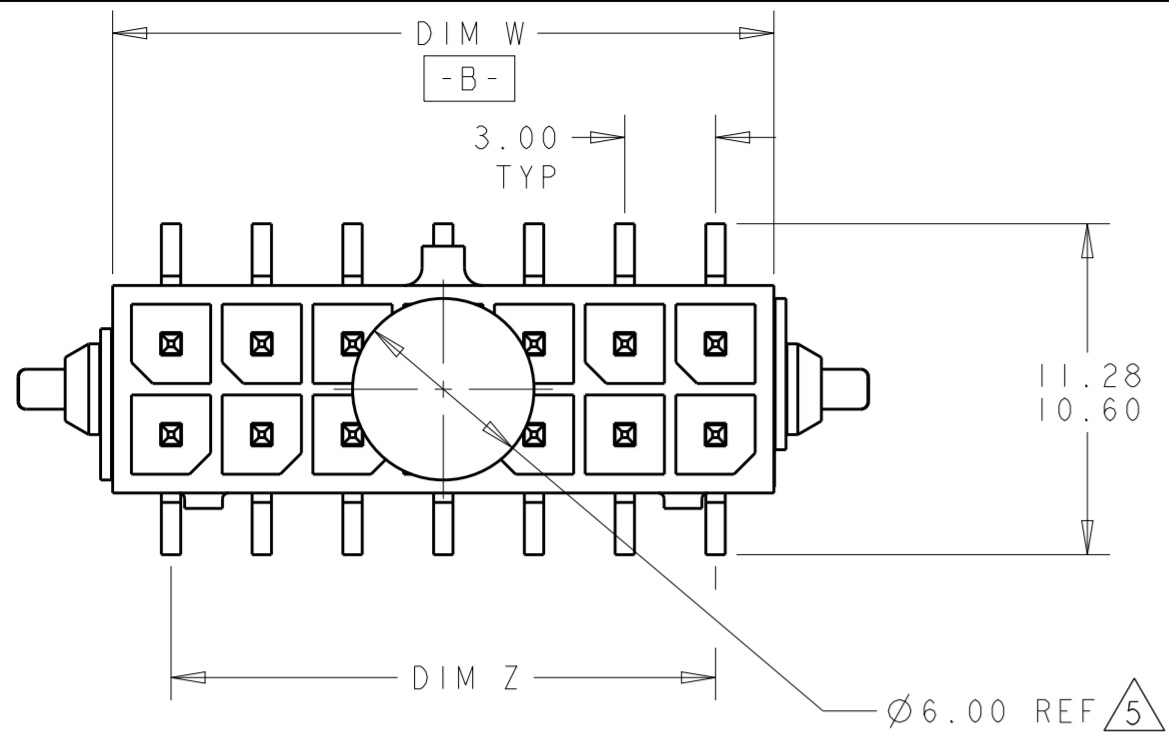
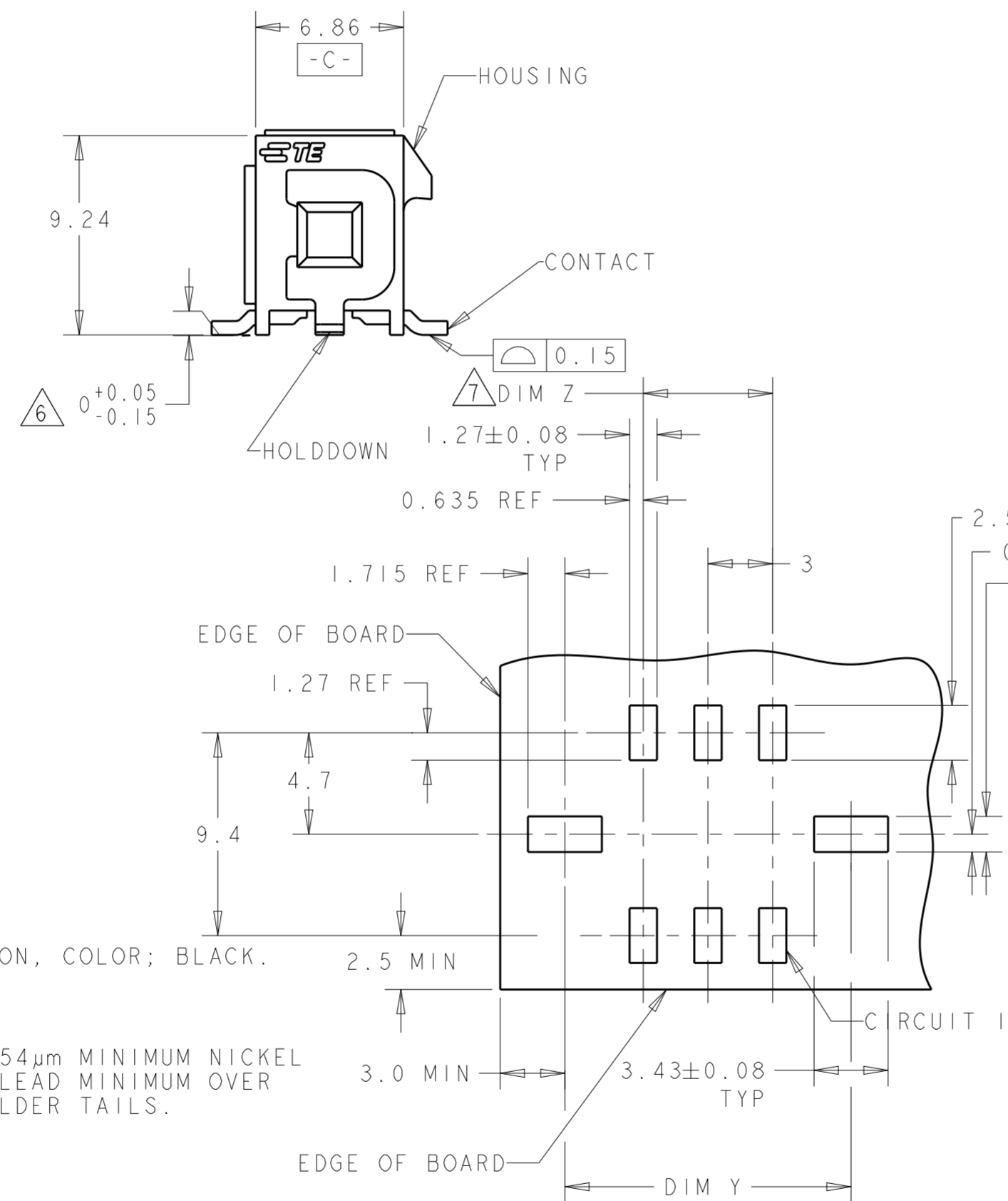
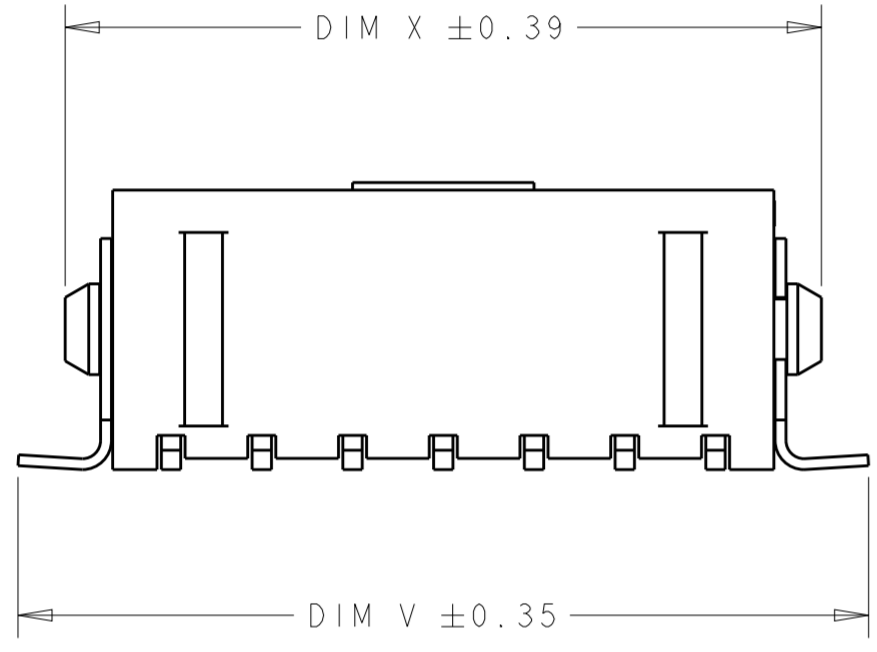


THIS DRAWING IS UNPUBLISHED. RELEASED FOR PUBLICATION 20  
 © COPYRIGHT 20 BY - ALL RIGHTS RESERVED.

REVISIONS					
P	LTR	DESCRIPTION	DATE	DWN	APVD
	J2	REVISED PER ECR-17-017609	04DEC2017	JB	DZ



SCALE 6:1



- $\triangle 1$  MATERIAL;  
CONTACTS - BRASS.  
HOUSING - UL 94V-0 RATED HIGH TEMP NYLON, COLOR; BLACK.  
HOLDDOWNS - PHOSPHOR BRONZE.
- $\triangle 2$  PLATING;  
CONTACTS - 0.38  $\mu$ m MINIMUM GOLD OVER 2.54  $\mu$ m MINIMUM NICKEL ON MATING AREA. 2.54  $\mu$ m TIN-LEAD MINIMUM OVER 2.54  $\mu$ m NICKEL MINIMUM ON SOLDER TAILS.  
HOLDDOWNS - 2.54  $\mu$ m TIN LEAD.
- $\triangle 4$  RECOMMENDED PCB BOARD THICKNESS OF 1.57.
- $\triangle 5$  KAPTON VACUUM PICK UP BUTTON.
- $\triangle 6$  DIMENSION APPLIES TO SOLDER TAIL SURFACES AND STANDOFF SURFACES.
- $\triangle 7$  ALL SOLDER TAILS AND HOLDDOWNS.
- $\triangle 8$  PLATING;  
CONTACTS - 0.38  $\mu$ m MINIMUM GOLD OVER 2.54  $\mu$ m MINIMUM NICKEL ON MATING AREA. 2.54  $\mu$ m MATTE TIN MINIMUM OVER 2.54  $\mu$ m NICKEL MINIMUM ON SOLDER TAILS.  
HOLDDOWNS - 2.54  $\mu$ m MATTE TIN.

RECOMMENDED PCB LAYOUT (COMPONENT SIDE)  $\triangle 4$

	FINISH	DIM V	DIM W	DIM Y	DIM Z	DIM X	NO. OF POSN.	PART NUMBER
$\triangle 8$		43.04	36.86	40.27	33.00	40.00	24	5-794637-4
$\triangle 8$		40.04	33.86	37.27	30.00	37.00	22	5-794637-2
$\triangle 8$		37.04	30.86	34.27	27.00	34.00	20	5-794637-0
$\triangle 8$		34.04	27.86	31.27	24.00	31.00	18	4-794637-8
$\triangle 8$		31.04	24.86	28.27	21.00	28.00	16	4-794637-6
$\triangle 8$		28.04	21.86	25.27	18.00	25.00	14	4-794637-4
$\triangle 8$		25.04	18.86	22.27	15.00	22.00	12	4-794637-2
$\triangle 8$		22.04	15.86	19.27	12.00	19.00	10	4-794637-0
$\triangle 8$		19.04	12.86	16.27	9.00	16.00	8	3-794637-8
$\triangle 8$		16.04	9.86	13.27	6.00	13.00	6	3-794637-6
$\triangle 8$		13.04	6.86	10.27	3.00	10.00	4	3-794637-4
$\triangle 8$		10.04	3.86	7.27	-	7.00	2	3-794637-2
$\triangle 2$	SUPERSEDED BY 5-794637-4	43.04	36.86	40.27	33.00	40.00	24	2-794637-4
$\triangle 2$	SUPERSEDED BY 5-794637-2	40.04	33.86	37.27	30.00	37.00	22	2-794637-2
$\triangle 2$	SUPERSEDED BY 5-794637-0	37.04	30.86	34.27	27.00	34.00	20	2-794637-0
$\triangle 2$	SUPERSEDED BY 4-794637-8	34.04	27.86	31.27	24.00	31.00	18	1-794637-8
$\triangle 2$	SUPERSEDED BY 4-794637-6	31.04	24.86	28.27	21.00	28.00	16	1-794637-6
$\triangle 2$	SUPERSEDED BY 4-794637-4	28.04	21.86	25.27	18.00	25.00	14	1-794637-4
$\triangle 2$	SUPERSEDED BY 4-794637-2	25.04	18.86	22.27	15.00	22.00	12	1-794637-2
$\triangle 2$	SUPERSEDED BY 4-794637-0	22.04	15.86	19.27	12.00	19.00	10	1-794637-0
$\triangle 2$	SUPERSEDED BY 3-794637-8	19.04	12.86	16.27	9.00	16.00	8	794637-8
$\triangle 2$	SUPERSEDED BY 3-794637-6	16.04	9.86	13.27	6.00	13.00	6	794637-6
$\triangle 2$	SUPERSEDED BY 3-794637-4	13.04	6.86	10.27	3.00	10.00	4	794637-4
$\triangle 2$	SUPERSEDED BY 3-794637-2	10.04	3.86	7.27	-	7.00	2	794637-2

SUPERSEDED BY 5-794637-4
SUPERSEDED BY 5-794637-2
SUPERSEDED BY 5-794637-0
SUPERSEDED BY 4-794637-8
SUPERSEDED BY 4-794637-6
SUPERSEDED BY 4-794637-4
SUPERSEDED BY 4-794637-2
SUPERSEDED BY 4-794637-0
SUPERSEDED BY 3-794637-8
SUPERSEDED BY 3-794637-6
SUPERSEDED BY 3-794637-4
SUPERSEDED BY 3-794637-2

THIS DRAWING IS A CONTROLLED DOCUMENT.

DIMENSIONS: mm

TOLERANCES UNLESS OTHERWISE SPECIFIED:  
 0 PLC  $\pm$   
 1 PLC  $\pm$   
 2 PLC  $\pm 0.13$   
 3 PLC  $\pm$   
 4 PLC  $\pm$   
 ANGLES  $\pm$   
 FINISH SEE TABLE

MATERIAL  $\triangle 1$

APPROVALS:  
 DWN K. WHITAKER 19-MAR-2003  
 CHK C. JONES 19-MAR-2003  
 APVD C. JONES 19-MAR-2003

PRODUCT SPEC  
 APPLICATION SPEC

WEIGHT

CUSTOMER DRAWING

SCALE 4:1 SHEET 1 OF 1 REV J2

STB TE Connectivity

NAME SURFACE MOUNT, VERTICAL, MECHANICAL HOLDDOWN, ASSEMBLY, 15 GOLD HEADER DUAL ROW, MICRO MATE-N-LOK TM

SIZE A2 CAGE CODE A20779 DRAWING NO. C-794637 RESTRICTED TO