

THIS DRAWING IS UNPUBLISHED. RELEASED FOR PUBLICATION
 © COPYRIGHT - By - ALL RIGHTS RESERVED.

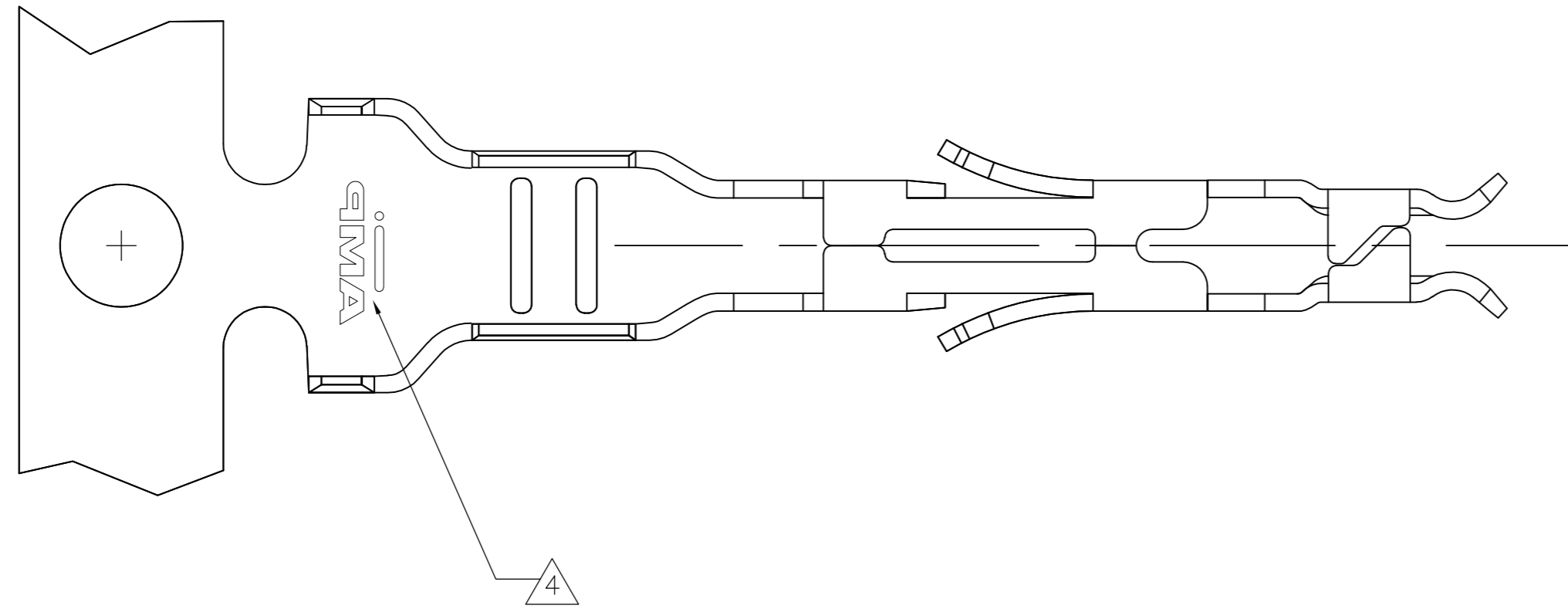
LOC		DIST		REVISIONS			
P	LTR	DESCRIPTION		DATE	DWN	APVD	
CM	00	H1	REVISED PER ECO-11-004917		11MAR11	RK	HMR

D

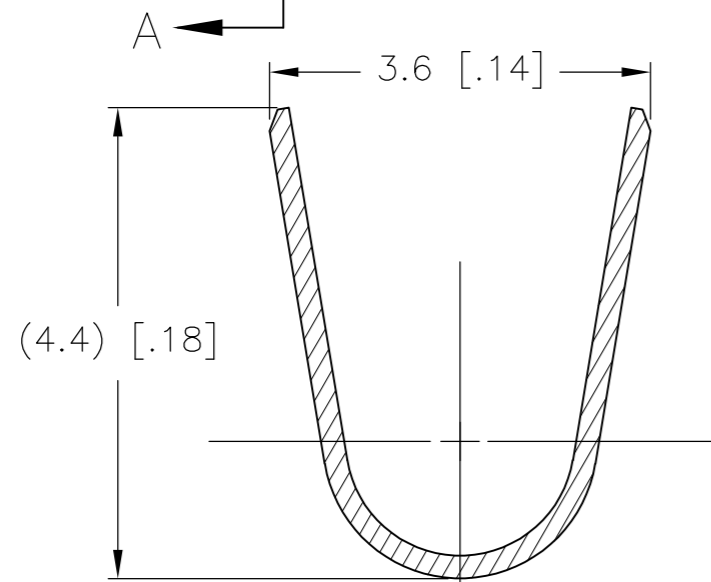
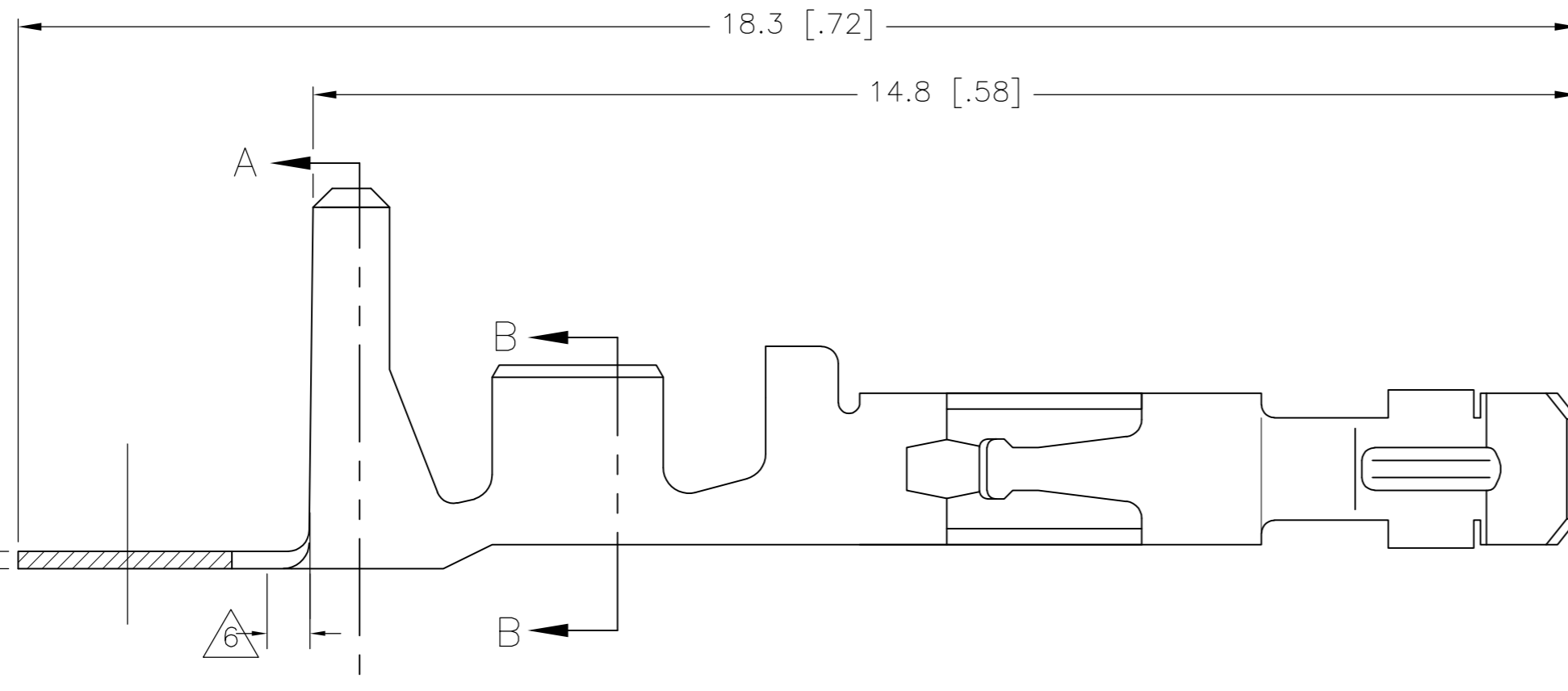
C

B

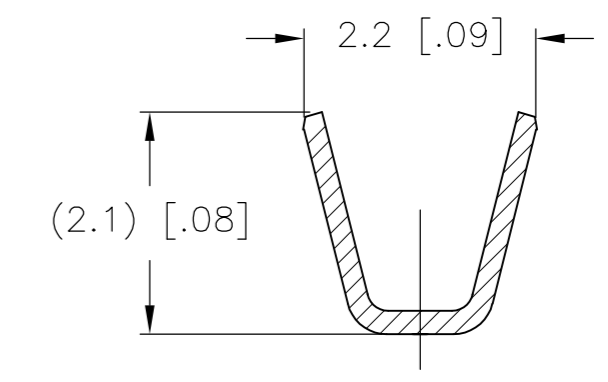
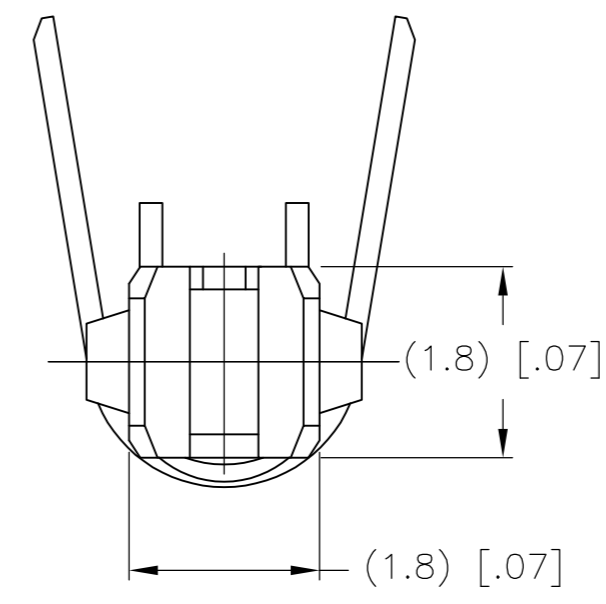
A



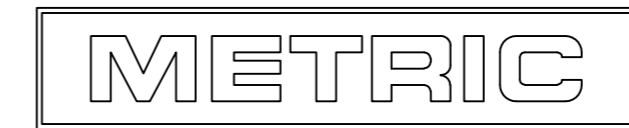
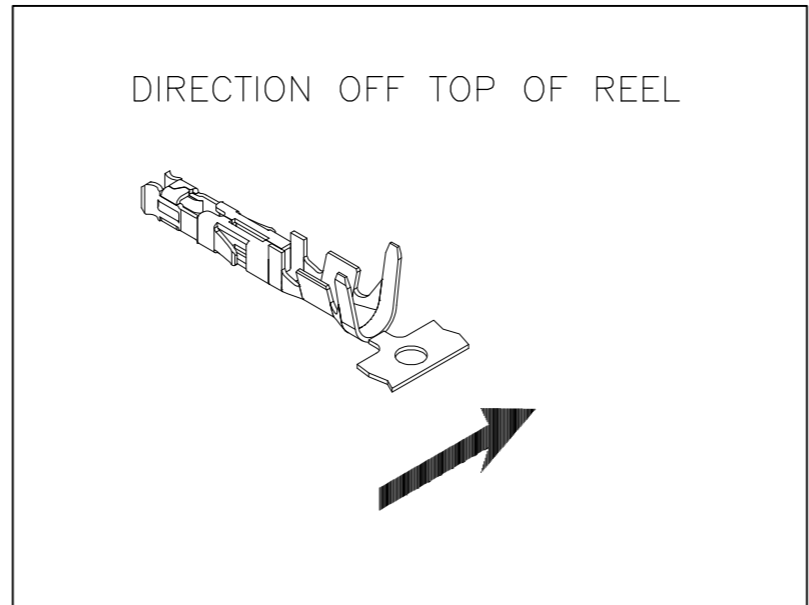
- HAND TOOL PART NUMBER 734202-2.
- EXTRACTION TOOL PART NUMBER 188688-1
- LOOSE PIECE CONTACT
- AMP TRADEMARK
- MATERIAL PHOSPHOR BRONZE PRETINNED 1-3μm
- CUT OFF DIMENSION FOR LOOSE PIECE CONTACT 0.5 [.02] MAXIMUM.
- WIRE RANGE: 0.30-0.87mm² [.012-.034in²], (18-22 AWG).
- INSULATION RANGE: 1.50-2.40 [.059-.094] DIAMETER.



SECTION A-A
SCALE 14:1



SECTION B-B
SCALE 14:1



THIS DRAWING IS A CONTROLLED DOCUMENT.		DWN	S. HOOVER	29-JAN-2004
DIMENSIONS:		CHK	D. COLEY	29-JAN-2004
mm [INCHES]	TOLERANCES UNLESS OTHERWISE SPECIFIED:	APVD	D. COLEY	29-JAN-2004
	0 PLC ±	PRODUCT SPEC	NAME	
	1 PLC ±	APPLICATION SPEC	SOCKET CONTACT	
	2 PLC ± 0.10 [.004]	WEIGHT	SIZE	CAGE CODE
	3 PLC ±	CUSTOMER DRAWING	A2	00779
	4 PLC ±	SCALE	14:1	SHEET
	ANGLES ±	FINISH	SEE CHART	1 of 1
		REV	H1	

3	PRETINNED	PHOSPHOR BRONZE	1-106529-2
	PRETINNED	PHOSPHOR BRONZE	106529-2
	FINISH	MATERIAL	PART NUMBER



NAME		DRAWING NO		RESTRICTED TO
SOCKET CONTACT		C=106529		-
AMP-DUAC™		SCALE	14:1	REV
		SHEET	1 of 1	H1

Mouser Electronics

Authorized Distributor

Click to View Pricing, Inventory, Delivery & Lifecycle Information:

[TE Connectivity:](#)

[106529-2](#)