

CSLF3228

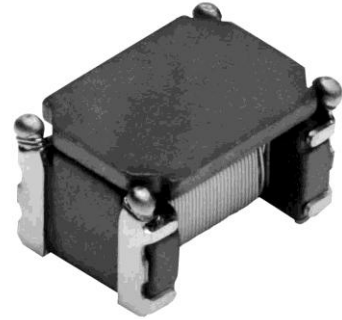


Features :

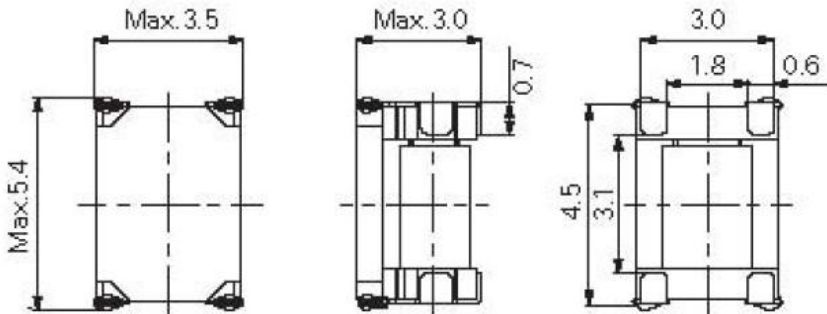
- Common mode choke coil for automobile (up to 150 deg C)
- Small size and low profile
- Correspond RoHS directives

Applications :

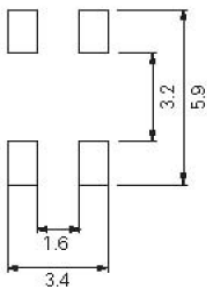
- CAN Bus, AV/OA equipment
- Suitable for DC common mode



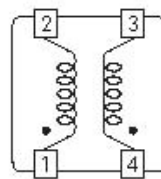
Dimensions (mm)



Land patterns (mm)



Schematics (mm)



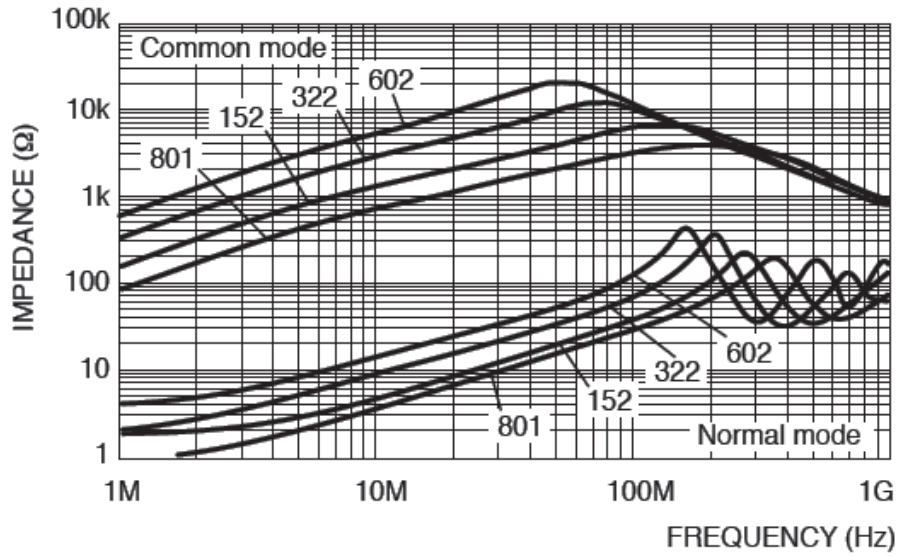
Electrical specifications'

Parts No.	Impedance @10MHz	DCR @20°C	Rated current
CSLF3228NP-801	800(Typ)/Min.480Ω	Max. 0.5Ω	0.25A
CSLF3228NP-152	1500(Typ)/Min.900Ω	Max. 1.0Ω	0.2A
CSLF3228NP-322	3200(Typ)/Min.1900Ω	Max.1.0Ω	0.2A
CSLF3228NP-602	6000(Typ)/Min.2400Ω	Max.2.0Ω	0.15A

Note: This specification is subject to change without notice. Please contact your nearest sales office for updated information when placing an order.



Impedance characteristics



For sales office information, please [click here](#) to visit our website.

Note: This specification is subject to change without notice. Please contact your nearest sales office for updated information when placing an order.

CSLF3228

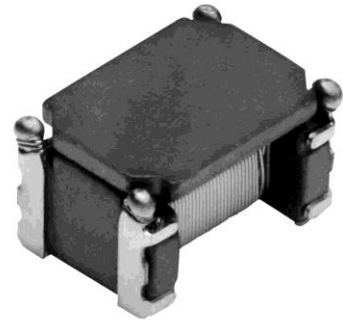


特長:

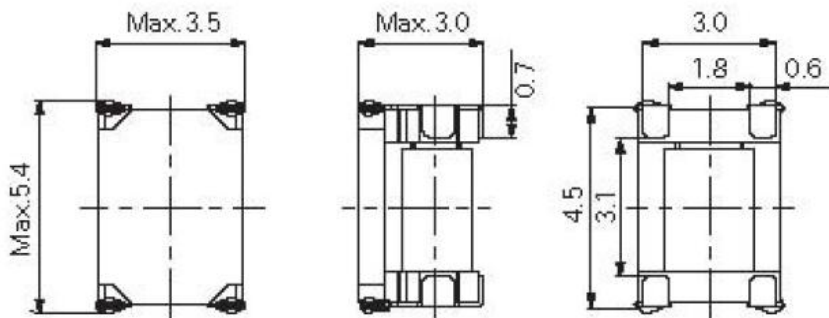
- 車載対応可能コモンモードチョークコイル
(~150 °C)
- 小型、低背
- RoHS 指令対応品

アプリケーション:

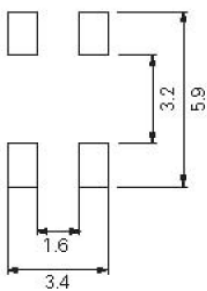
- CAN Bus, AV/OA 機器
- DC ライン用コモンモード対策に最適



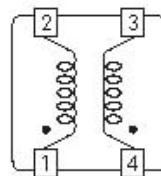
外形寸法図 (mm)



ランド寸法 (mm)



結線図 (mm)



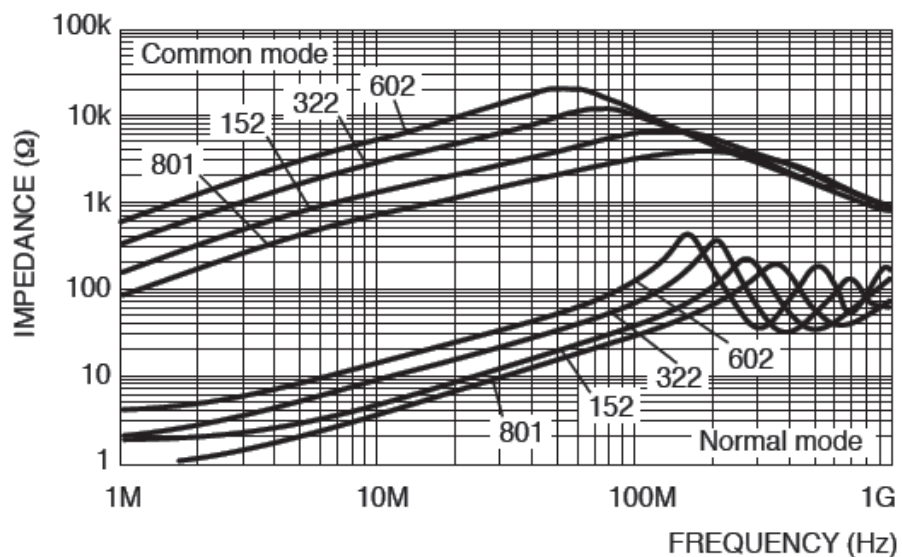
電気的特性'

Parts No.	Impedance @10MHz	DCR @20°C	Rated current
CSLF3228NP-801	800(Typ)/Min.480Ω	Max. 0.5Ω	0.25A
CSLF3228NP-152	1500(Typ)/Min.900Ω	Max. 1.0Ω	0.2A
CSLF3228NP-322	3200(Typ)/Min.1900Ω	Max.1.0Ω	0.2A
CSLF3228NP-602	6000(Typ)/Min.2400Ω	Max.2.0Ω	0.15A

Note: This specification is subject to change without notice. Please contact your nearest sales office for updated information when placing an order.



インピーダンス特性



For sales office information, please [click here](#) to visit our website.

Note: This specification is subject to change without notice. Please contact your nearest sales office for updated information when placing an order.