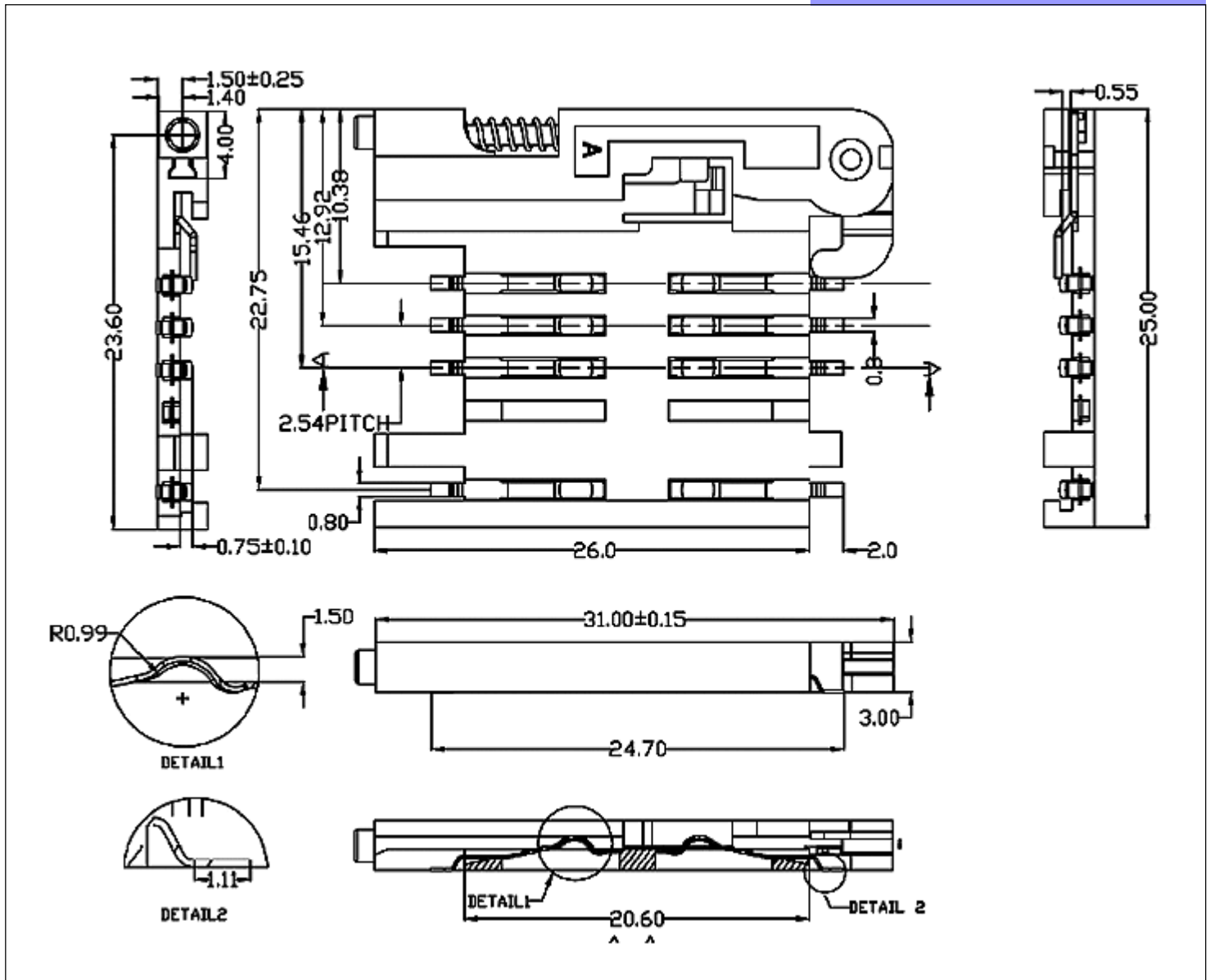


Operation: Push-Push Ord



LTEM NO.: SIM-021(cato)
(SIM CARD SOCKETS)

Unit:mm



Technical parameter

| PROJECT | | LEVEL | A [better product] | B [average product] | C [low product] |
|-----------------------|----------------------------|-------|---|---------------------|-----------------|
| Electrical Properties | Initial Contact Resistance | | 30mΩ max. | 30mΩ max. | no data! |
| | Contact Resistance | | 100mΩ min. 100V DC Skey/PD: 50mΩ min. 100V DC | | |
| | Withstand Voltage | | 300V AC for 1min | 250 V AC for 1min | |
| Durable Performance | There No Load | | 5,000 Cycles | no data! | no data! |
| | Rated Load | | 3,500 Cycles 50mΩ max. | no data! | no data! |
| Insertion Force | | | 4.0Kgf MAX (Springback:) | | |

表面貼裝 SMT

側向導入 LATERAL

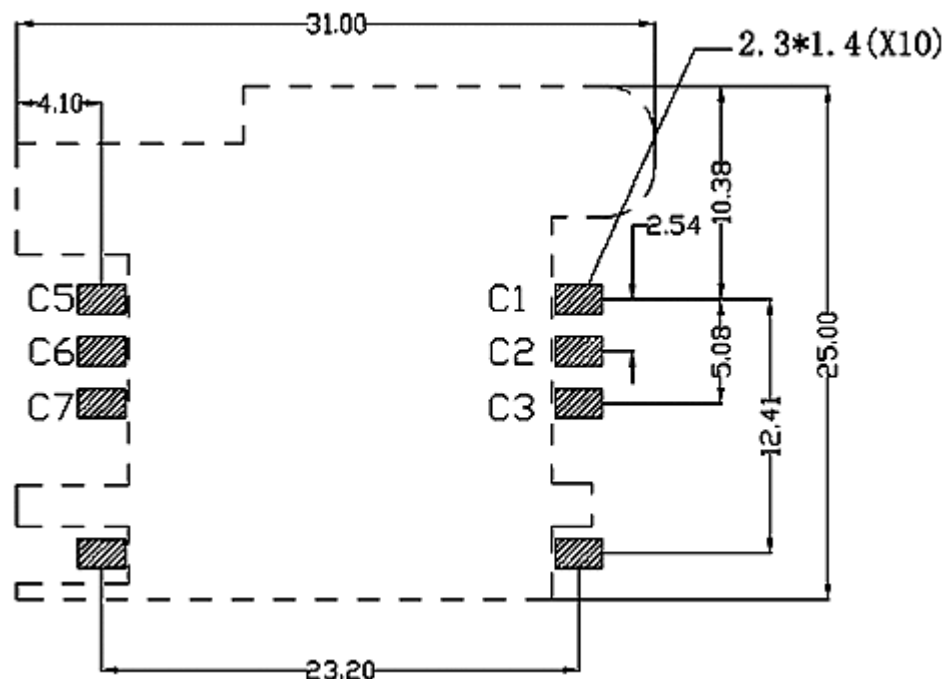
精密部品 NICETY

可靠 STABILIZE

適合環保 RoHS



CIRCUIT BOARD SIZE (Vertical view)



PIN Assignment

| SD CARD Pin DESIGN | | | |
|--------------------|----------|------|-------------|
| Pin No. | Pin NAME | Type | Description |
| C① | 卡電源 | 1 | VCC |
| C② | 復位 | 1 | RST |
| C③ | 時鐘 | 1 | CLK |
| C④ | 保留項 | 1 | Reserved |
| C⑤ | 接地 | 1 | GND |
| C⑥ | Vpp | 1 | VPP |
| C⑦ | 輸入/輸出 | 1 | I/O |
| C⑧ | 保留項 | 1 | Reserved |

本品不屬於危害性廢棄物,須丟棄時可以委託回收商予以回收再生處理。Products do not belong to hazardous waste, When waste can recycling processing

運送時本產品不要直接與水、酸鹼性化學物質接觸,或放置於含有以上氣體環境中,並且需要注意會有滑落、側翻的危險發生;運輸過程中不能有碰撞或者擠壓,須保證溫度與濕度適中[常溫 25℃,濕度在 50℃ 以內],不可導致材料變形或氧化。

注記 NOTICE

1. 碩方電子公司擁有最終解釋權; The company reserves the right of final interpretation;
2. 文件禁止外洩、轉載; Leaked and reproduced prohibited;
3. 未經授權修改無效。Modify is invalid.

LTEM NO.:SIM-CATO

(SIM cato sockets)

