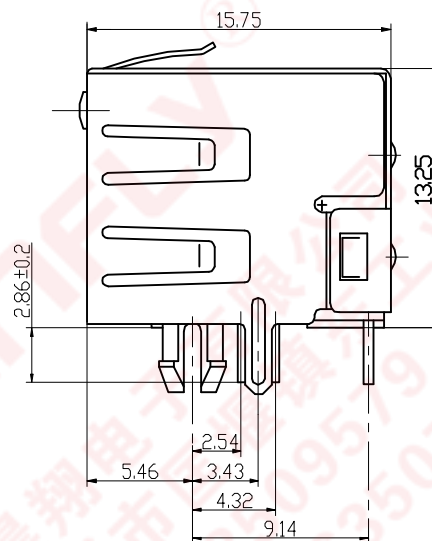
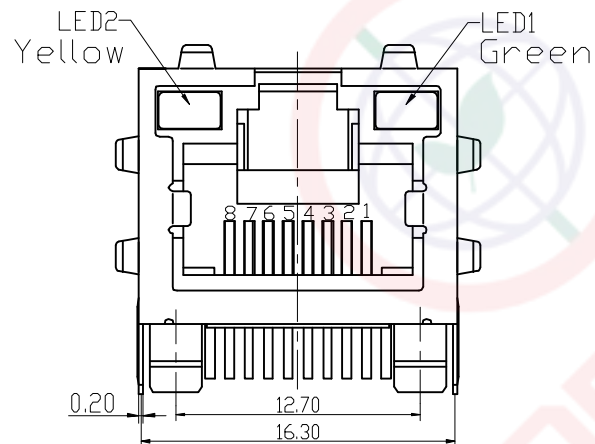


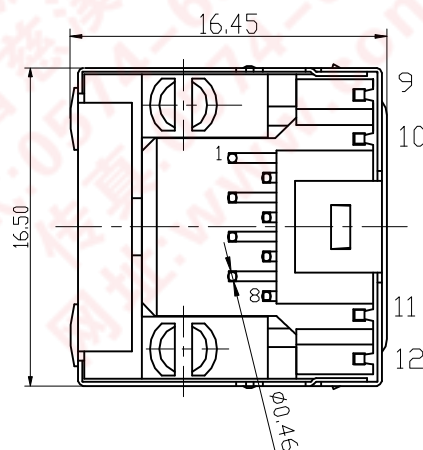
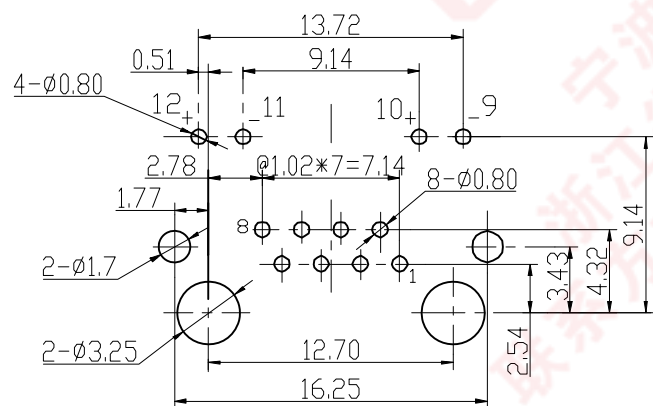
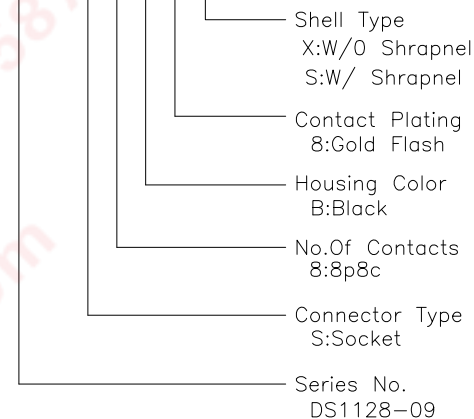
| REV. | DESCRIPTION | DRAWN | CHECKED | APPROVED |
|------|-------------|---------------|---------|----------|
| A | NEW RELEASE | JLZ 10/28/16' | | |



SPECIFICATION

1. Insulation Resistance:1000MΩ Min.
2. Withstand Voltage:500V,AC/Minute.
3. Durability:600 Cycles Min.
4. Product Number Code:

DS1128-09-X X X X X



| GENERAL TOLERANCE | | ANGLE TOLERANCE | |
|-------------------|-------|-----------------|-----|
| X. | ±0.60 | X. | ±5° |
| .X | ±0.38 | .X | ±3° |
| .XX | ±0.25 | .XX | ±2° |

| DRAWING TYPE | CUSTOMER | | |
|--------------|---------------------|-------|--------|
| SCALE | 1:1 | SHEET | 1 OF 1 |
| DRAWING NO. | C-DS1128-09-XXXXX-A | | |

| PROJECTION | | TITLE |
|------------|----|----------------------------|
| UNITS | mm | PCB JACK 8P 1PORT WITH LED |
| SHEET SIZE | A4 | SERIES DS1128-09 SERIES |

晨翔电子有限公司
CONNFLY CONNFLY ELECTRONIC CO. LTD