

# Operational Amplifiers, Dual Power, 1.0 A Output Current

## TCA0372, TCA0372B, NCV0372B

The TCA0372 is a monolithic circuit intended for use as a power operational amplifier in a wide range of applications, including servo amplifiers and power supplies. No deadband crossover distortion provides better performance for driving coils.

### Features

- Output Current to 1.0 A
- Slew Rate of 1.3 V/ $\mu$ s
- Wide Bandwidth of 1.1 MHz
- Internal Thermal Shutdown
- Single or Split Supply Operation
- Excellent Gain and Phase Margins
- Common Mode Input Includes Ground
- Zero Deadband Crossover Distortion
- NCV devices are AEC-Q100 Qualified and PPAP Capable
- These Devices are Pb-Free, Halogen Free/BFR Free and are RoHS Compliant

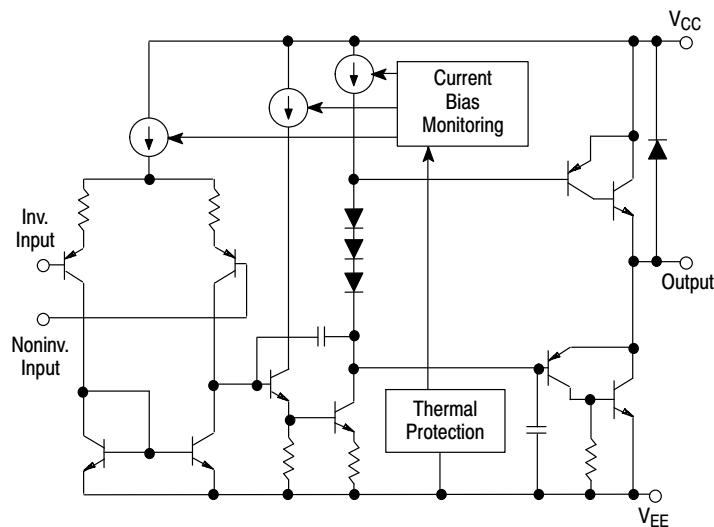
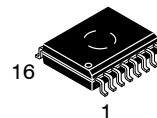


Figure 1. Representative Block Diagram



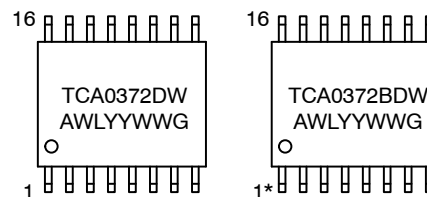
ON Semiconductor®

[www.onsemi.com](http://www.onsemi.com)



SOIC-16W  
DW SUFFIX  
CASE 751G

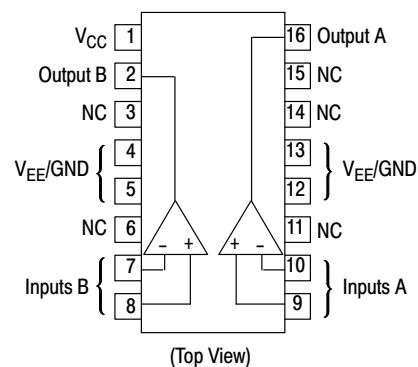
### MARKING DIAGRAMS



\*Also applies to NCV0372BDWR2G.

A = Assembly Location  
WL = Wafer Lot  
YY = Year  
WW = Work Week  
G = Pb-Free Package

### PIN CONNECTIONS



### ORDERING INFORMATION

See detailed ordering and shipping information in the package dimensions section on page 5 of this data sheet.

# TCA0372, TCA0372B, NCV0372B

## MAXIMUM RATINGS

| Rating                                      | Symbol          | Value       | Unit |
|---|-----------------|-------------|------|
| Supply Voltage (from $V_{CC}$ to $V_{EE}$ ) | $V_S$           | 40          | V    |
| Input Differential Voltage Range            | $V_{IDR}$       | Note 1      | V    |
| Input Voltage Range                         | $V_{IR}$        | Note 1      | V    |
| Junction Temperature (Note 2)               | $T_J$           | +150        | °C   |
| Operating Temperature Range                 | $T_A$           | -40 to +125 | °C   |
| Storage Temperature Range                   | $T_{stg}$       | -55 to +150 | °C   |
| DC Output Current                           | $I_O$           | 1.0         | A    |
| Peak Output Current (Nonrepetitive)         | $I_{(max)}$     | 1.5         | A    |
| Thermal Resistance, Junction-to-Air         | $R_{\theta JA}$ | 80          | °C/W |
| Thermal Resistance, Junction-to-Case        | $R_{\theta JC}$ | 12          | °C/W |

Stresses exceeding those listed in the Maximum Ratings table may damage the device. If any of these limits are exceeded, device functionality should not be assumed, damage may occur and reliability may be affected.

1. Either or both input voltages should not exceed the magnitude of  $V_{CC}$  or  $V_{EE}$ .
2. Power dissipation must be considered to ensure maximum junction temperature ( $T_J$ ) is not exceeded.

# TCA0372, TCA0372B, NCV0372B

## DC ELECTRICAL CHARACTERISTICS (V<sub>CC</sub> = +15 V, V<sub>EE</sub> = -15 V, R<sub>L</sub> connected to ground, T<sub>A</sub> = -40° to +125°C.)

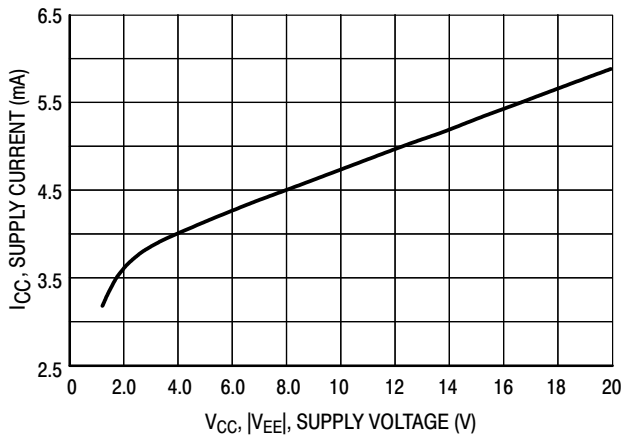
| Characteristics   | Symbol                                 | Min  | Typ        | Max                  | Unit  |
|---|--|--|------------|----------------------|-------|
| Input Offset Voltage (V <sub>CM</sub> = 0)<br>T <sub>A</sub> = +25°C<br>T <sub>A</sub> , T <sub>low</sub> to T <sub>high</sub>  | V <sub>IO</sub>                        | -  | 1.0        | 15<br>20             | mV    |
| Average Temperature Coefficient of Offset Voltage   | ΔV <sub>IO</sub> /ΔT                   | -  | 20         | -                    | μV/°C |
| Input Bias Current (V <sub>CM</sub> = 0)  | I <sub>B</sub>                         | -  | 100        | 500                  | nA    |
| Input Offset Current (V <sub>CM</sub> = 0)  | I <sub>IO</sub>                        | -  | 10         | 50                   | nA    |
| Large Signal Voltage Gain<br>V <sub>O</sub> = ±10 V, R <sub>L</sub> = 2.0 k   | A <sub>VOL</sub>                       | 30   | 100        | -                    | V/mV  |
| Output Voltage Swing (I <sub>L</sub> = 100 mA)<br>T <sub>A</sub> = +25°C<br>T <sub>A</sub> = T <sub>low</sub> to T <sub>high</sub><br>T <sub>A</sub> = +25°C<br>T <sub>A</sub> = T <sub>low</sub> to T <sub>high</sub>  | V <sub>OH</sub><br><br>V <sub>OL</sub> | 14.0<br>13.9   | 14.2<br>-  | -<br>-14.0<br>-13.9  | V     |
| Output Voltage Swing (I <sub>L</sub> = 1.0 A)<br>V <sub>CC</sub> = +24 V, V <sub>EE</sub> = 0 V, T <sub>A</sub> = +25°C<br>V <sub>CC</sub> = +24 V, V <sub>EE</sub> = 0 V, T <sub>A</sub> = T <sub>low</sub> to T <sub>high</sub><br>V <sub>CC</sub> = +24 V, V <sub>EE</sub> = 0 V, T <sub>A</sub> = +25°C<br>V <sub>CC</sub> = +24 V, V <sub>EE</sub> = 0 V, T <sub>A</sub> = T <sub>low</sub> to T <sub>high</sub> | V <sub>OH</sub><br><br>V <sub>OL</sub> | 22.5<br>22.5   | 22.7<br>-  | -<br>1.5<br>1.6      | V     |
| Input Common Mode Voltage Range<br>T <sub>A</sub> = +25°C<br>T <sub>A</sub> = T <sub>low</sub> to T <sub>high</sub>   | V <sub>ICR</sub>                       | V <sub>EE</sub> to (V <sub>CC</sub> -1.0)<br>V <sub>EE</sub> to (V <sub>CC</sub> -1.3) |            |                      | V     |
| Common Mode Rejection Ratio (R <sub>S</sub> = 10 k)   | CMRR                                   | 70   | 90         | -                    | dB    |
| Power Supply Rejection Ratio (R <sub>S</sub> = 100 Ω)   | PSRR                                   | 70   | 90         | -                    | dB    |
| Power Supply Current<br>T <sub>A</sub> = +25°C<br>T <sub>A</sub> = T <sub>low</sub> to T <sub>high</sub>  | I <sub>D</sub>                         | -  | 5.0<br>8.0 | 10<br>10<br>14<br>14 | mA    |
|   |  |  |            |                      |       |
|   |  |  |            |                      |       |

## AC ELECTRICAL CHARACTERISTICS (V<sub>CC</sub> = +15 V, V<sub>EE</sub> = -15 V, R<sub>L</sub> connected to ground, T<sub>A</sub> = +25°C, unless otherwise noted.)

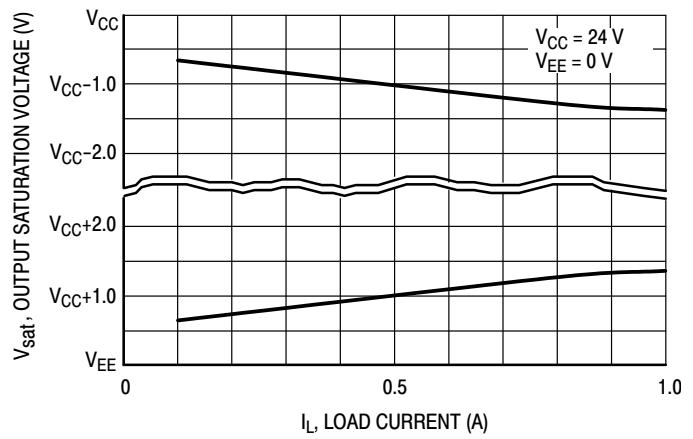
| Characteristics  | Symbol         | Min        | Typ      | Max    | Unit    |
|--|----------------|------------|----------|--------|---------|
| Slew Rate (V <sub>in</sub> = -10 V to +10 V, R <sub>L</sub> = 2.0 k, C <sub>L</sub> = 100 pF)<br>A <sub>V</sub> = -1.0, T <sub>A</sub> = T <sub>low</sub> to T <sub>high</sub> | SR             | 1.0        | 1.4      | -      | V/μs    |
| Gain Bandwidth Product (f = 100 kHz, C <sub>L</sub> = 100 pF, R <sub>L</sub> = 2.0 k)<br>T <sub>A</sub> = 25°C<br>T <sub>A</sub> = T <sub>low</sub> to T <sub>high</sub>       | GBW            | 0.9<br>0.7 | 1.4<br>- | -<br>- | MHz     |
| Phase Margin T <sub>J</sub> = T <sub>low</sub> to T <sub>high</sub><br>R <sub>L</sub> = 2.0 k, C <sub>L</sub> = 100 pF   | φ <sub>m</sub> | -          | 65       | -      | Degrees |
| Gain Margin<br>R <sub>L</sub> = 2.0 k, C <sub>L</sub> = 100 pF   | A <sub>m</sub> | -          | 15       | -      | dB      |
| Equivalent Input Noise Voltage<br>R <sub>S</sub> = 100 Ω, f = 1.0 to 100 kHz   | e <sub>n</sub> | -          | 22       | -      | nV/√Hz  |
| Total Harmonic Distortion<br>A <sub>V</sub> = -1.0, R <sub>L</sub> = 50 Ω, V <sub>O</sub> = 0.5 VRMS, f = 1.0 kHz  | THD            | -          | 0.02     | -      | %       |

NOTE: In case V<sub>EE</sub> is disconnected before V<sub>CC</sub>, a diode between V<sub>EE</sub> and Ground is recommended to avoid damaging the device.

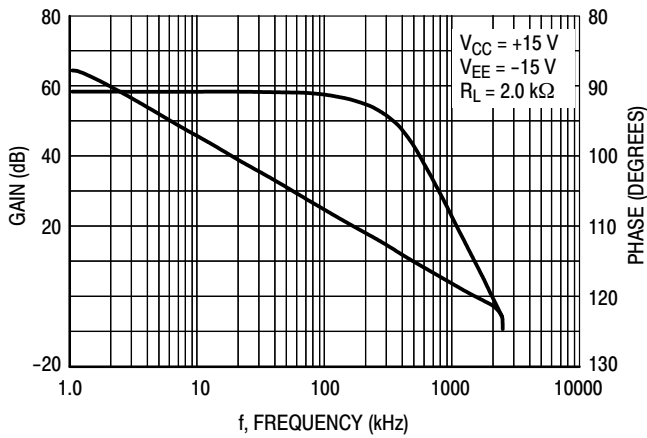
# TCA0372, TCA0372B, NCV0372B



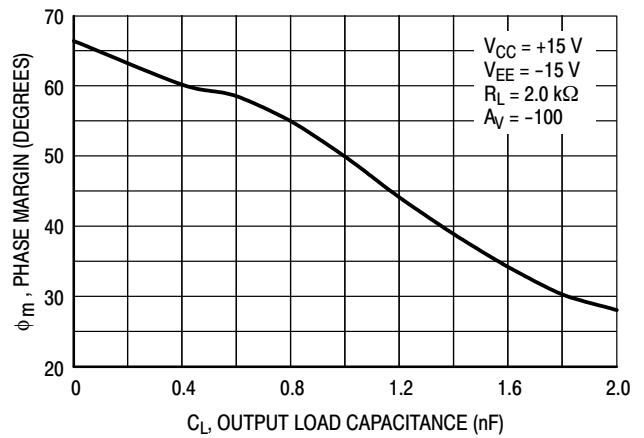
**Figure 2. Supply Current versus Supply Voltage with No Load**



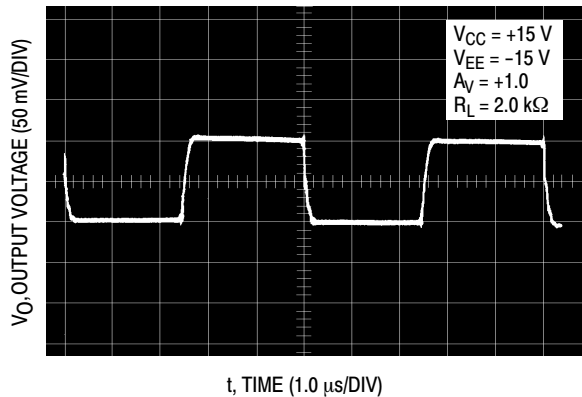
**Figure 3. Output Saturation Voltage versus Load Current**



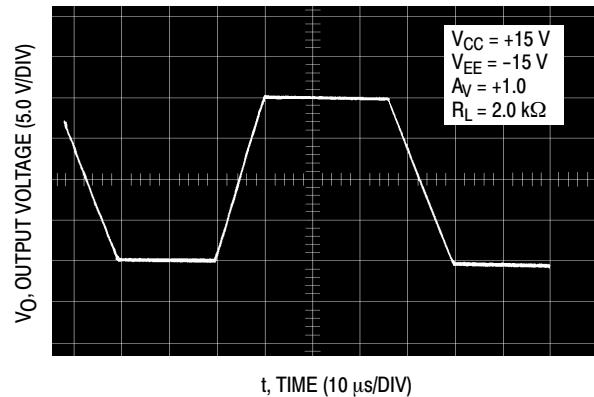
**Figure 4. Voltage Gain and Phase versus Frequency**



**Figure 5. Phase Margin versus Output Load Capacitance**



**Figure 6. Small Signal Transient Response**



**Figure 7. Large Signal Transient Response**

# TCA0372, TCA0372B, NCV0372B

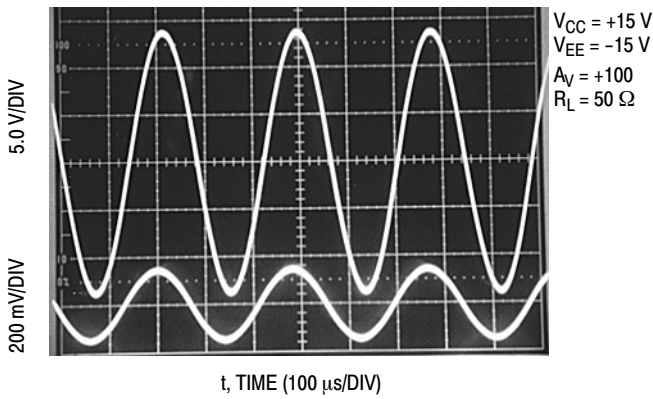


Figure 8. Sine Wave Response

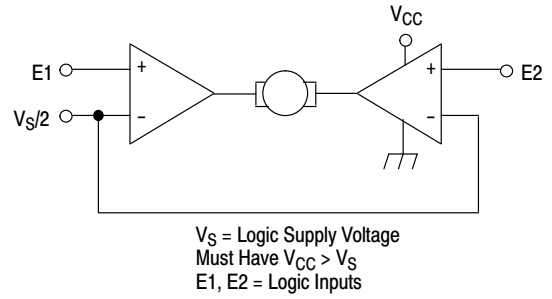
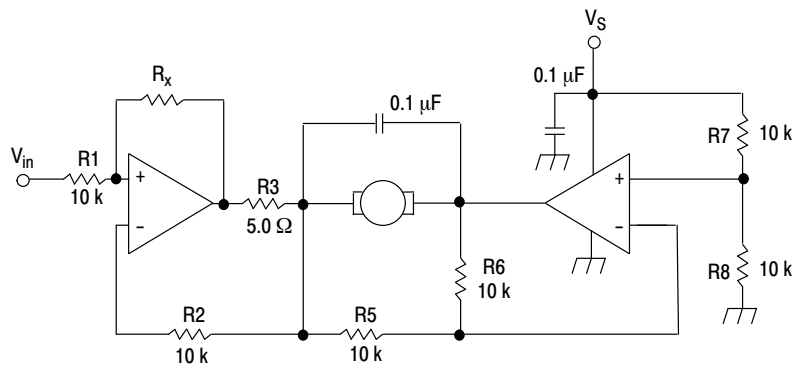


Figure 9. Bidirectional DC Motor Control with Microprocessor-Compatible Inputs



For circuit stability, ensure that  $R_x > \frac{2R_3 \cdot R_1}{R_M}$  where,  $R_M$  = internal resistance of motor.  
 The voltage available at the terminals of the motor is:  $V_M = 2(V_1 - \frac{V_S}{2}) + |R_0| \cdot I_M$   
 where,  $|R_0| = \frac{2R_3 \cdot R_1}{R_x}$  and  $I_M$  is the motor current.

Figure 10. Bidirectional Speed Control of DC Motors

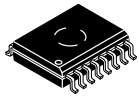
## ORDERING INFORMATION

| Device         | Package               | Shipping†          |
|----------------|-----------------------|--------------------|
| TCA0372DWR2G   | SOIC-16W<br>(Pb-Free) | 1000 / Tape & Reel |
| TCA0372BDWR2G  | SOIC-16W<br>(Pb-Free) | 1000 / Tape & Reel |
| NCV0372BDWR2G* | SOIC-16W<br>(Pb-Free) | 1000 / Tape & Reel |

†For information on tape and reel specifications, including part orientation and tape sizes, please refer to our Tape and Reel Packaging Specifications Brochure, BRD8011/D.

\*AEC-Q100 Qualified and PPAP Capable

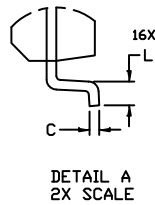
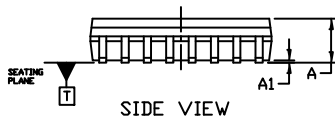
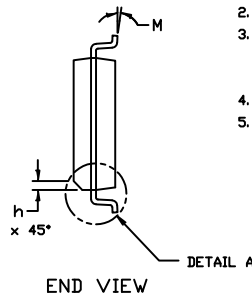
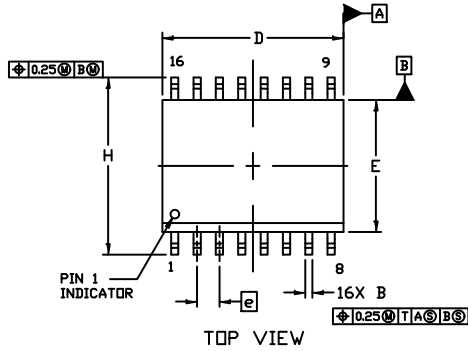
# MECHANICAL CASE OUTLINE PACKAGE DIMENSIONS



1  
SCALE 1:1

SOIC-16 WB  
CASE 751G  
ISSUE E

DATE 08 OCT 2021

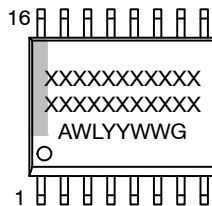


NOTES:

1. DIMENSIONING AND TOLERANCING PER ASME Y14.5M, 1994.
2. CONTROLLING DIMENSION: MILLIMETERS
3. DIMENSION b DOES NOT INCLUDE DAMBAR PROTRUSION. ALLOWABLE PROTRUSION SHALL BE 0.13 TOTAL IN EXCESS OF B DIMENSION AT MAXIMUM MATERIAL CONDITION.
4. DIMENSIONS D AND E DO NOT INCLUDE MOLD PROTRUSIONS.
5. MAXIMUM MOLD PROTRUSION OR FLASH TO BE 0.15 PER SIDE.

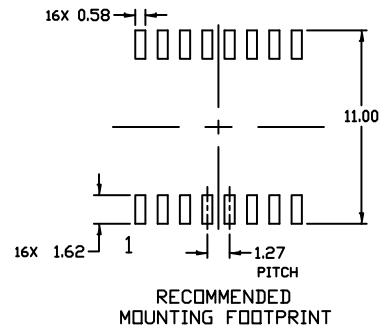
| DIM | MILLIMETERS |       |
|-----|-------------|-------|
|     | MIN.        | MAX.  |
| A   | 2.35        | 2.65  |
| A1  | 0.10        | 0.25  |
| B   | 0.35        | 0.49  |
| C   | 0.23        | 0.32  |
| D   | 10.15       | 10.45 |
| E   | 7.40        | 7.60  |
| e   | 1.27 BSC    |       |
| H   | 10.05       | 10.55 |
| h   | 0.53 REF    |       |
| L   | 0.50        | 0.90  |
| M   | 0°          | 7°    |

GENERIC MARKING DIAGRAM\*



- XXXXX = Specific Device Code
- A = Assembly Location
- WL = Wafer Lot
- YY = Year
- WW = Work Week
- G = Pb-Free Package

\*This information is generic. Please refer to device data sheet for actual part marking. Pb-Free indicator, "G" or microdot "▪", may or may not be present. Some products may not follow the Generic Marking.



|                  |             |  |
|------------------|-------------|--|
| DOCUMENT NUMBER: | 98ASB42567B | Electronic versions are uncontrolled except when accessed directly from the Document Repository. Printed versions are uncontrolled except when stamped "CONTROLLED COPY" in red. |
| DESCRIPTION:     | SOIC-16 WB  | PAGE 1 OF 1  |

onsemi and ONSEMI are trademarks of Semiconductor Components Industries, LLC dba onsemi or its subsidiaries in the United States and/or other countries. onsemi reserves the right to make changes without further notice to any products herein. onsemi makes no warranty, representation or guarantee regarding the suitability of its products for any particular purpose, nor does onsemi assume any liability arising out of the application or use of any product or circuit, and specifically disclaims any and all liability, including without limitation special, consequential or incidental damages. onsemi does not convey any license under its patent rights nor the rights of others.

**onsemi**, **Onsemi**, and other names, marks, and brands are registered and/or common law trademarks of Semiconductor Components Industries, LLC dba "**onsemi**" or its affiliates and/or subsidiaries in the United States and/or other countries. **onsemi** owns the rights to a number of patents, trademarks, copyrights, trade secrets, and other intellectual property. A listing of **onsemi**'s product/patent coverage may be accessed at [www.onsemi.com/site/pdf/Patent-Marking.pdf](http://www.onsemi.com/site/pdf/Patent-Marking.pdf). **onsemi** reserves the right to make changes at any time to any products or information herein, without notice. The information herein is provided "as-is" and **onsemi** makes no warranty, representation or guarantee regarding the accuracy of the information, product features, availability, functionality, or suitability of its products for any particular purpose, nor does **onsemi** assume any liability arising out of the application or use of any product or circuit, and specifically disclaims any and all liability, including without limitation special, consequential or incidental damages. Buyer is responsible for its products and applications using **onsemi** products, including compliance with all laws, regulations and safety requirements or standards, regardless of any support or applications information provided by **onsemi**. "Typical" parameters which may be provided in **onsemi** data sheets and/or specifications can and do vary in different applications and actual performance may vary over time. All operating parameters, including "Typicals" must be validated for each customer application by customer's technical experts. **onsemi** does not convey any license under any of its intellectual property rights nor the rights of others. **onsemi** products are not designed, intended, or authorized for use as a critical component in life support systems or any FDA Class 3 medical devices or medical devices with a same or similar classification in a foreign jurisdiction or any devices intended for implantation in the human body. Should Buyer purchase or use **onsemi** products for any such unintended or unauthorized application, Buyer shall indemnify and hold **onsemi** and its officers, employees, subsidiaries, affiliates, and distributors harmless against all claims, costs, damages, and expenses, and reasonable attorney fees arising out of, directly or indirectly, any claim of personal injury or death associated with such unintended or unauthorized use, even if such claim alleges that **onsemi** was negligent regarding the design or manufacture of the part. **onsemi** is an Equal Opportunity/Affirmative Action Employer. This literature is subject to all applicable copyright laws and is not for resale in any manner.

## PUBLICATION ORDERING INFORMATION

### LITERATURE FULFILLMENT:

Email Requests to: [orderlit@onsemi.com](mailto:orderlit@onsemi.com)

**onsemi Website:** [www.onsemi.com](http://www.onsemi.com)

### TECHNICAL SUPPORT

**North American Technical Support:**

Voice Mail: 1 800-282-9855 Toll Free USA/Canada

Phone: 011 421 33 790 2910

**Europe, Middle East and Africa Technical Support:**

Phone: 00421 33 790 2910

For additional information, please contact your local Sales Representative