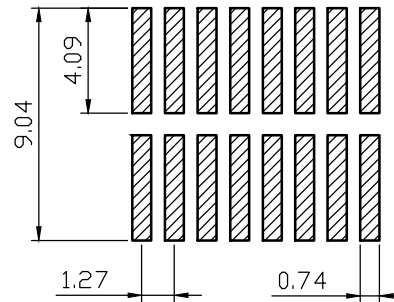
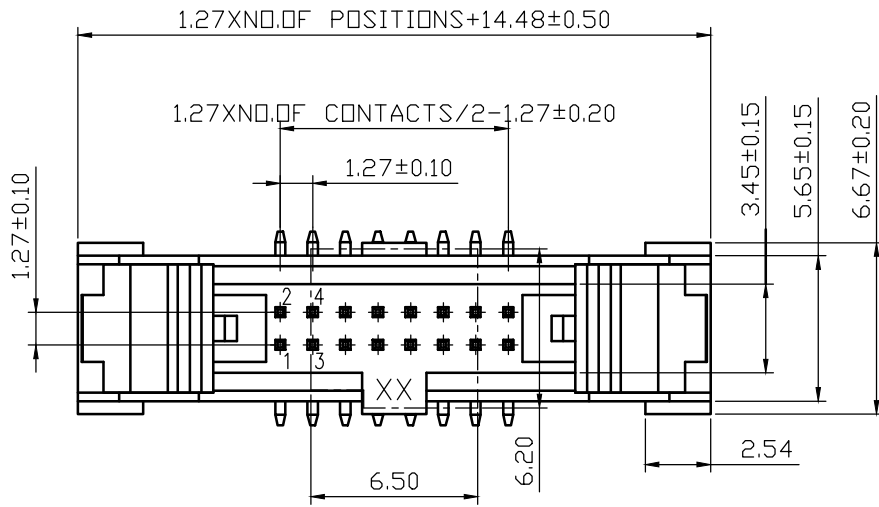
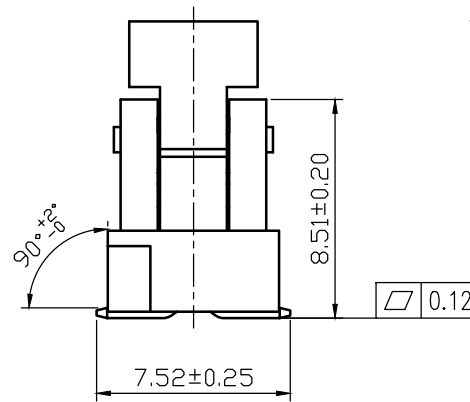
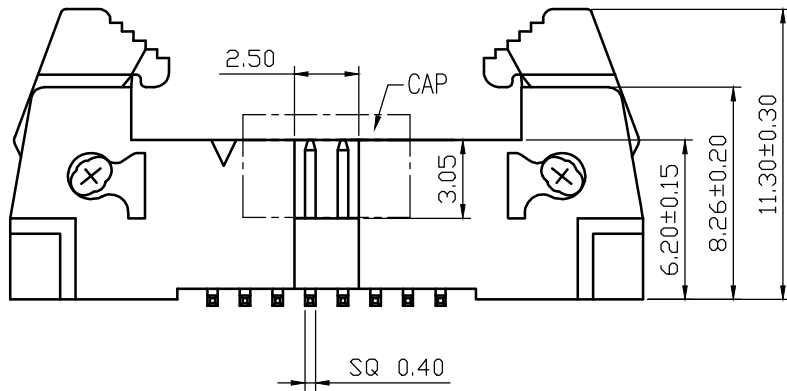


RECOMMENDED P.C.B LAYOUT(TOP SIDE)
(PCB BOARD TOLERANCE±0.05)



NOTE
MATERIAL & FINISH
INSULATOR: LCP+30%GF(UL94 V-0)
CONTACT: BRASS, GOLD OR TIN OVER NI

ELECTRICAL & MECHANICAL
CURRENT RATING: 1.75A
CONTACT RESISTANCE: 20mΩ MAX.
INSULATION RESISTANCE: 5000MΩ MIN.
WITHSTAND VOLTAGE: 500V AC/DC
OPERATION TEMPERATURE: -55°C TO +12



PART NO.

Z-S2303231 ** M * B S * 1

NO OF PINS
06 08 10 14
16 20 24 26
30 34 40 44
50

PACKING
P=TUBE+CAP
T=TUBE
R=TAPE&REEL+CA
INSULATION COLOR
B=BLACK

PLATED
2=GOLD FLASH
3=Au 10u"
4=Au 15u"
5=Au 30u"
6=Au 10u"/TIN
7=Au 30u"/TIN
A=Au 15u"/TIN
0=TIN

正凌精密工业(广东)有限公司

2016/3/25

内部资料请勿复印

A1	MODIFY Δ =1	3/23'16
A	NEW RELEASED	11/1'15

UNITS ■mm □INCH	NAME: 1.27mm HEADER SMT TYPE W/O FORK	nexttron NEXTRONICS ENGINEERING
GENERAL TOLERANCES: (UNLESS SPECIFIED)	PART NO: Z-S2303231**M*BS*1	TITLE: CUSTOMER DWG
4 PLACE ±** ±**	APPD: 楊海文 2016/3/24	DWG NO: 010-0000-E77
3 PLACE ±0.15 ±**	CHKD: 廖小瓊 2016/3/24	SCALE: SHEET: F
2 PLACE ±0.25 ±**	DRAWN: 陳惠枝	
1 PLACE ±0.40 ±**		