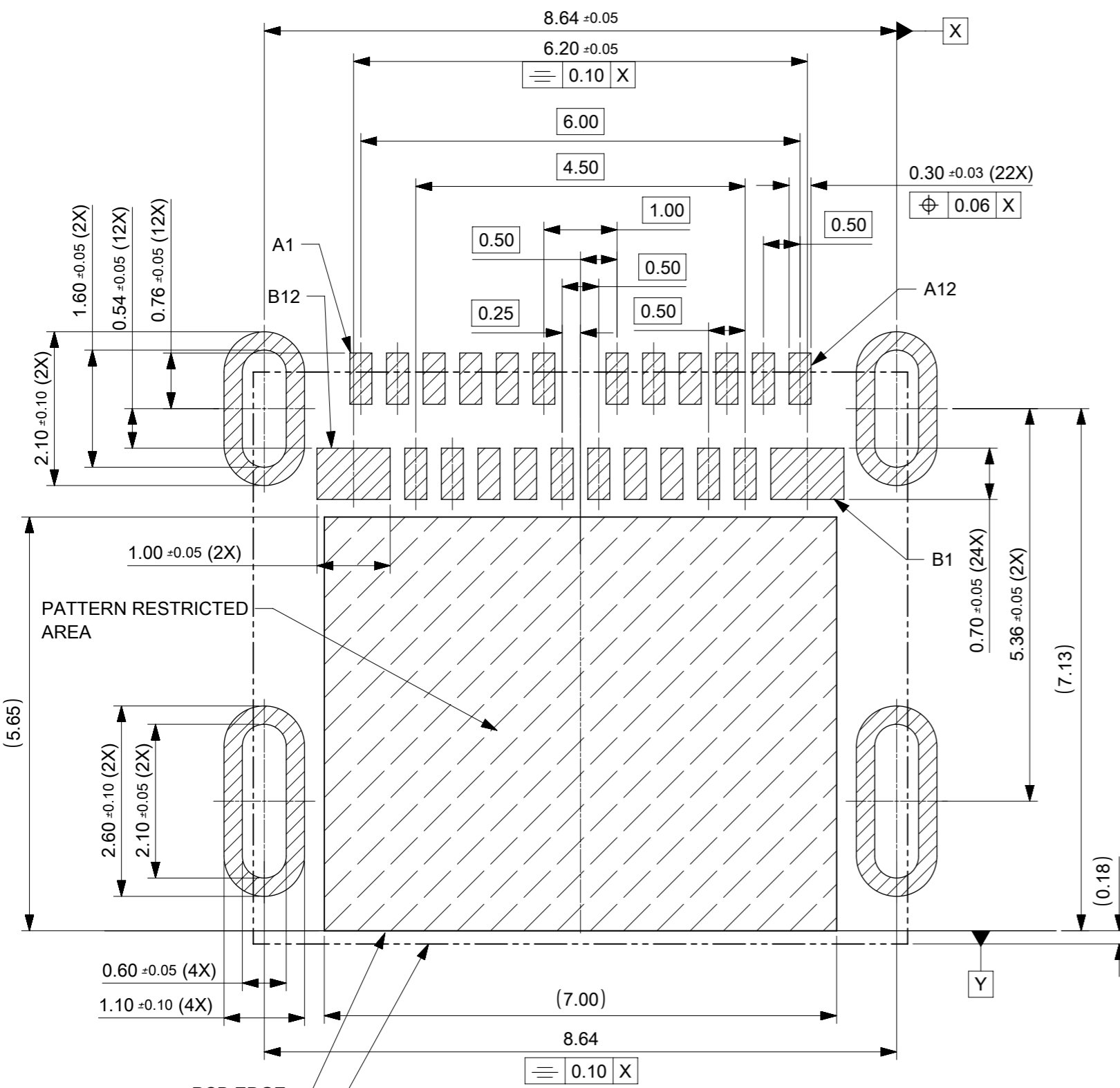


PART NO.	DESCRIPTION	L	PACKAGE
105450001	SEE NOTES 2 (1) FOR CONTACT AREA PLATING	0.80	PK-105450-001
1054500101	SEE NOTES 2 (2) FOR CONTACT AREA PLATING	0.50	
1054500111	SEE NOTES 2 (2) FOR CONTACT AREA PLATING	1.30	1054506666
1054500121	SEE NOTES 2 (2) FOR CONTACT AREA PLATING	0.80	

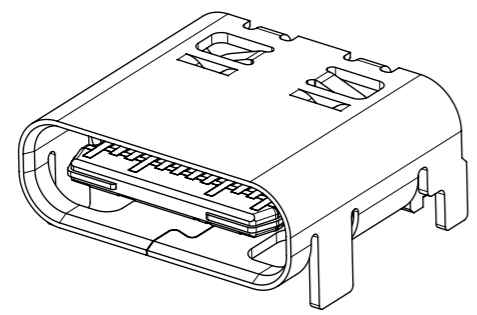
THIS DRAWING CONTAINS INFORMATION THAT IS PROPRIETARY TO MOLEX ELECTRONIC TECHNOLOGIES, LLC AND SHOULD NOT BE USED WITHOUT WRITTEN PERMISSION

2016/12/02 2017/04/24	GENERAL TOLERANCES (UNLESS SPECIFIED)	DIMENSION UNITS	SCALE	molex [®]	
		MM	7:1		
		DRWN BY	DATE		
		RZHANG	2015/04/20		
EC NO: 115587 DRWN: RZHANG CHK'D: AYIN APPR: AYIN	ANGULAR TOL ± 3.0 °	CHK'D BY	DATE	USB C TYPE REC TOP MOUNT SMT TAIL	
	4 PLACES ±	AYIN	2015/04/20		
	3 PLACES ±	DATE			
	2 PLACES ± 0.2	DATE			
A	1 PLACE ± 0.2	APPR BY	DATE	PRODUCT CUSTOMER DRAWING	
	0 PLACES ±	AYIN	2015/04/20		
	DRAFT WHERE APPLICABLE MUST REMAIN WITHIN DIMENSIONS	DRAWING SIZE	THIRD ANGLE PROJECTION		
	A3				
RELEASE STATUS	RELEASE DATE	SERIES	MATERIAL NUMBER	CUSTOMER	
		105450	SEE CHART	GENERAL MARKET	
		DOCUMENT NUMBER	DOC TYPE	DOC PART	SHEET NUMBER
		SD-105450-001	PSD	000	1 OF 2



- NOTES:
- MATERIAL,
HOUSING: HIGH TEMPERATURE THERMAL PLASTIC , 30% GLASS FILLED, BLACK, UL94V-0.
TERMINAL: COPPER ALLOY
SHELL: STAINLESS STEEL
INNER SHELL: STAINLESS STEEL
MIDDLE BLADE: STAINLESS STEEL
 - PLATING:
TERMINAL: CONTACT AREA:
(1). 0.76 MICROMETER MIN. GOLD PLATING
(2). GOLD FLASH OVER 0.76 MICROMETER MIN. PALLADIUM/NICKEL PLATING
AND SOLDER TAIL: 0.05 MICROMETER MIN. GOLD PLATING
UNDER PLATING: 2 MICROMETER MIN. NICKEL PLATING OVERALL
SHELL: 1 MICROMETER MIN. SOLDERABLE NICKEL PLATING OVERALL
INNER SHELL: CLEANING
MIDDLE BLADE: 2 MICROMETER MIN. TIN PLATING OVER THE SOLDER TAIL
AND 1 MICROMETER NICKEL PLATING OVERALL
 - PRODUCT SPEC REFER TO PS-105448-001
 - COPLANARITY OF SMT PINS SOLDER TAIL IS 0.10 MAX. BEFORE AND AFTER REFLOW
 - T/H SOLDER TAIL POSITION BE CONTROLLED BY GAUGE
 - PRODUCT COMPLANT TO ROHS DIERTIVE 2011/65/EU AND ELV DIRECTIVE 2000/53/EC

PIN ASSIGNMENT											
A1	A2	A3	A4	A5	A6	A7	A8	A9	A10	A11	A12
GND	TX1+	TX1-	VBUS	CC1	D+	D-	SBU1	VBUS	RX2-	RX2+	GND
GND	RX1+	RX1-	VBUS	SBU2	D-	D+	CC2	VBUS	TX2-	TX2+	GND
B12	B11	B10	B9	B8	B7	B6	B5	B4	B3	B2	B1



THIS DRAWING CONTAINS INFORMATION THAT IS PROPRIETARY TO MOLEX ELECTRONIC TECHNOLOGIES, LLC AND SHOULD NOT BE USED WITHOUT WRITTEN PERMISSION

EC NO: 115587 DRWN: RZHANG CHK'D: APPR: AYIN	2016/12/02	2017/04/24	GENERAL TOLERANCES (UNLESS SPECIFIED)		DIMENSION UNITS	SCALE		
			ANGULAR TOL ± 3.0 °		MM			
			4 PLACES ±	RZHANG		DATE		2015/04/20
			3 PLACES ±	CHK'D BY		DATE		
			2 PLACES ± 0.2	APPR BY		DATE		2015/04/20
		1 PLACE ± 0.2	DRAWING SIZE		THIRD ANGLE PROJECTION			
		0 PLACES ±	A3					
DRAFT WHERE APPLICABLE MUST REMAIN WITHIN DIMENSIONS								

PRODUCT CUSTOMER DRAWING			
SERIES	MATERIAL NUMBER	CUSTOMER	
105450	SEE SHEET 1	GENERAL MARKET	
DOCUMENT NUMBER	DOC TYPE	DOC PART	SHEET NUMBER
SD-105450-001	PSD	000	2 OF 2