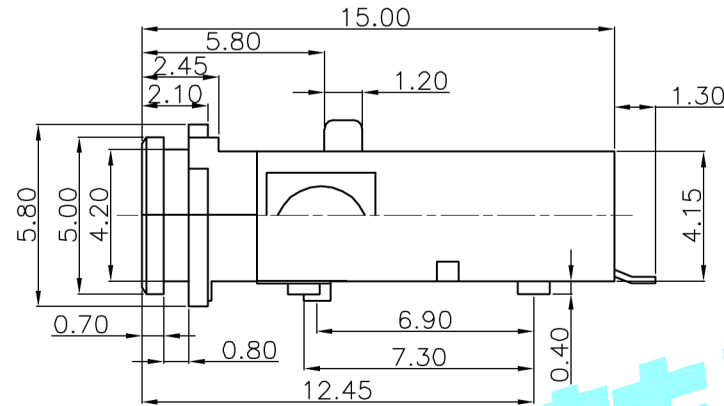
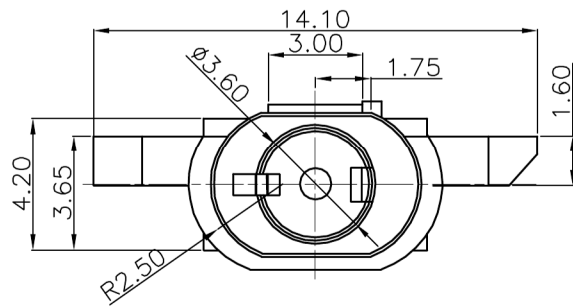
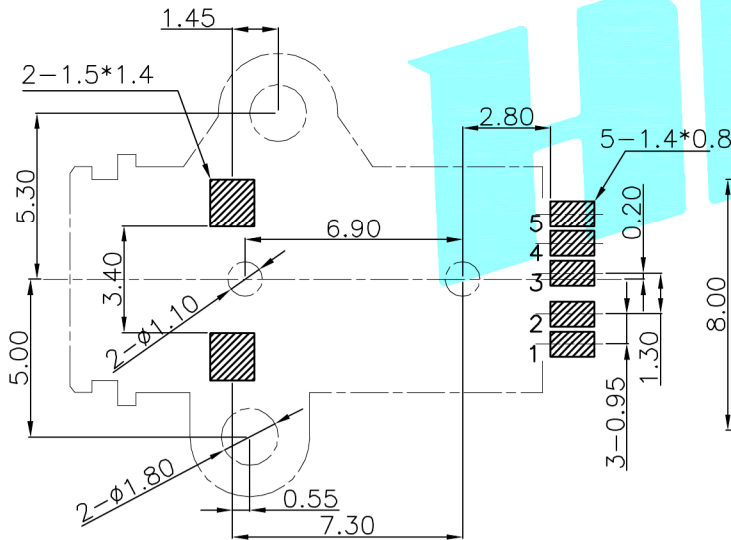


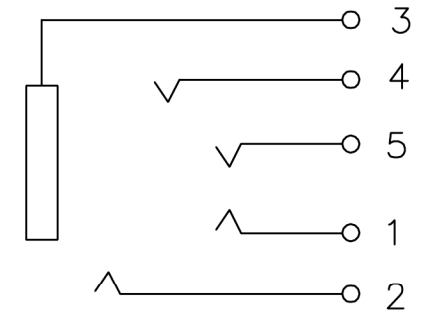
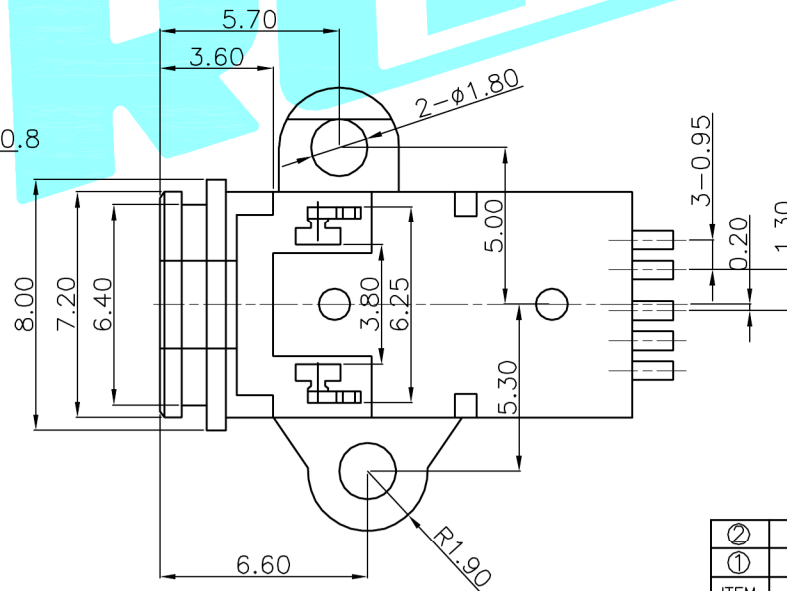
Water Resistance: IP-X8



Rating: 0.5A 30V DC
 Contact Resistance: 100 mΩ Max.
 Operating temperature: -20°C ~ 70°C
 Operating force: 3-20N
 Operating Life: 5,000 cycles



P.C.B Layout



CIRCUIT DIAGRAM

②	Terminal	5	Phosphor bronze	Au Plating		
①	Housing	1	Nylon	Black		
ITEM	PART NAME	TER'NO.	QTY.	MATERIAL	FINISHING	REMARK
APPROVALS		DATE		ELECTRONICS CO.,LTD		
DRAWN	xu qi feng	2014.11.26				
CHECKED				PART NO.	PJ-609	
APPROVALS				TOLERANCES ARE	30~100 : ±0.30 10~30 : ±0.20 5~10 : ±0.15 ~ 5 : ±0.10	ANGLE : ±2' UNIT: mm SCALE: 1:1 PROJ:
ECN NO.	REV.	DATE.	DESCRIPTION.	CHANGE.	CHECK.	APPRO.

	A		NEW			
			DESCRIPTION.			

