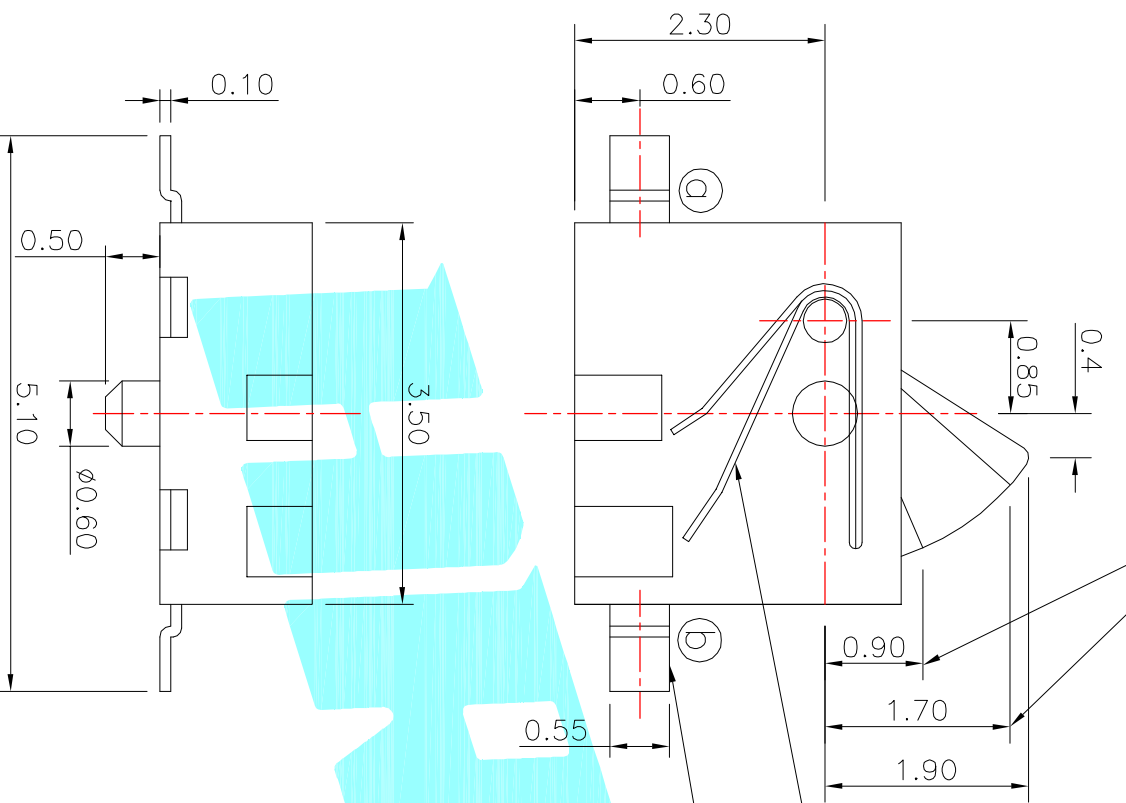
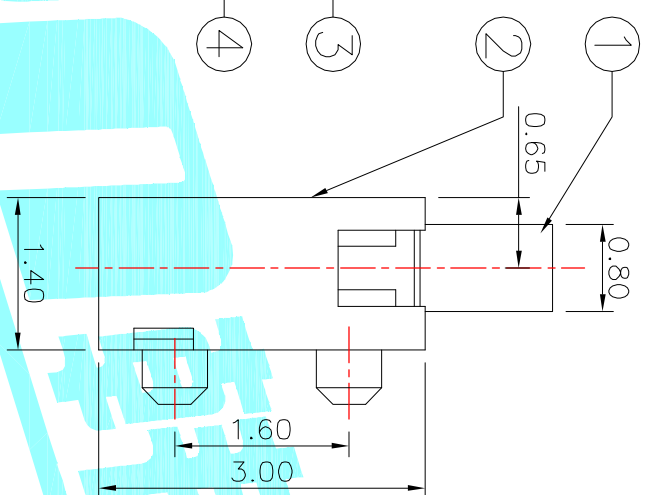
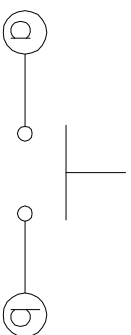


ON Starting Position

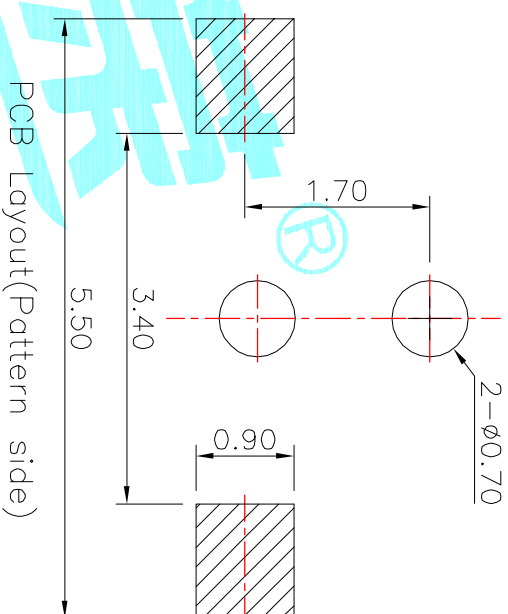
Total Travel Position



Circuit Diagram



PCB Layout (Pattern side)



NOTE:
 Rating: DC 30V 0.1A
 Operating Force: 20±10gf
 Lifetime: 100,000 Cycles

ITEM	PART NAME	TER'NO.	QTY.	MATERIAL	FINISHING	REMARK
④	Terminal	—	1	Phosphor Bronze	Ag Plated	
③	Contact Spring	—	1	Be Alloy	Ag Plated	
②	Housing	—	1	LCP	Black	
①	Slider	—	1	PA46	Black	

APPROVALS		DATE	TITLE:
DRAWN	J.X.Zhang	2013/8/23	DETECTOR SWITCHS
CHECKED			
APPROVALS			

ECN NO.	REV.	DATE.	DESCRIPTION.	CHANGE.	CHECK.	APPRO.	TOLERANCES ARE	ANGLE	UNIT:	SCALE:	PROJ:	SHEET
	A		NEW				30~12.1 ±0.30	±2°	mm	1:1	PROJ: ①	1 OF 1
							10~30 ±0.20					
							5~10 ±0.15					
							~5 ±0.10					



HONGSHI ELECTRONICS CO., LTD

K5-1634SA-01