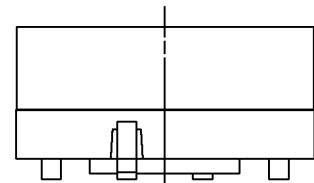
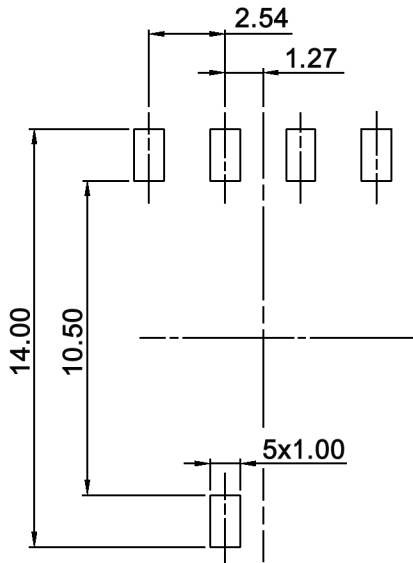


P.C.B. LAYOUT



TYPE	CIRCUIT CHARACTERISTIC									
	CODE	POSITION								● ON
SMR 5110	1	●		●		●		●		●
	2	●	●			●	●		●	●
	4	●	●	●	●				●	●
	8	●	●	●	●	●	●	●		



Tolerances: ±0.20mm max.	Date	Name
	12/12	dr
Modifications	Date	Name

SMR 5110

30 27 59

Page

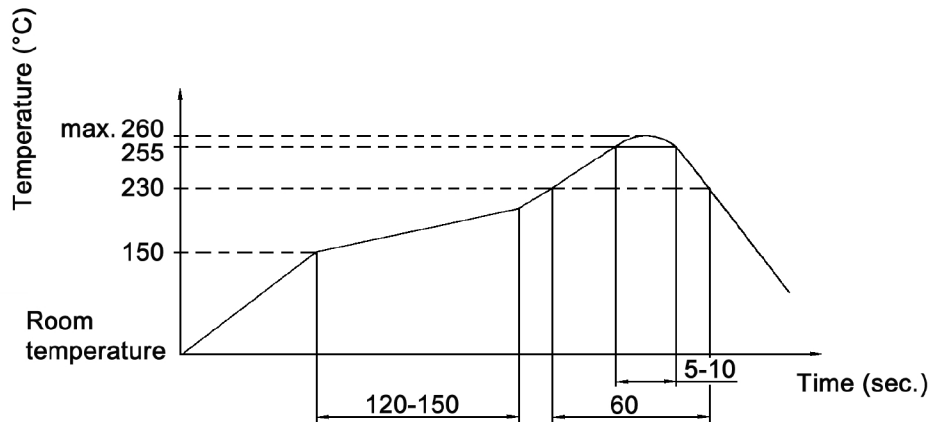
1/3

knitter-switch

Specifications:

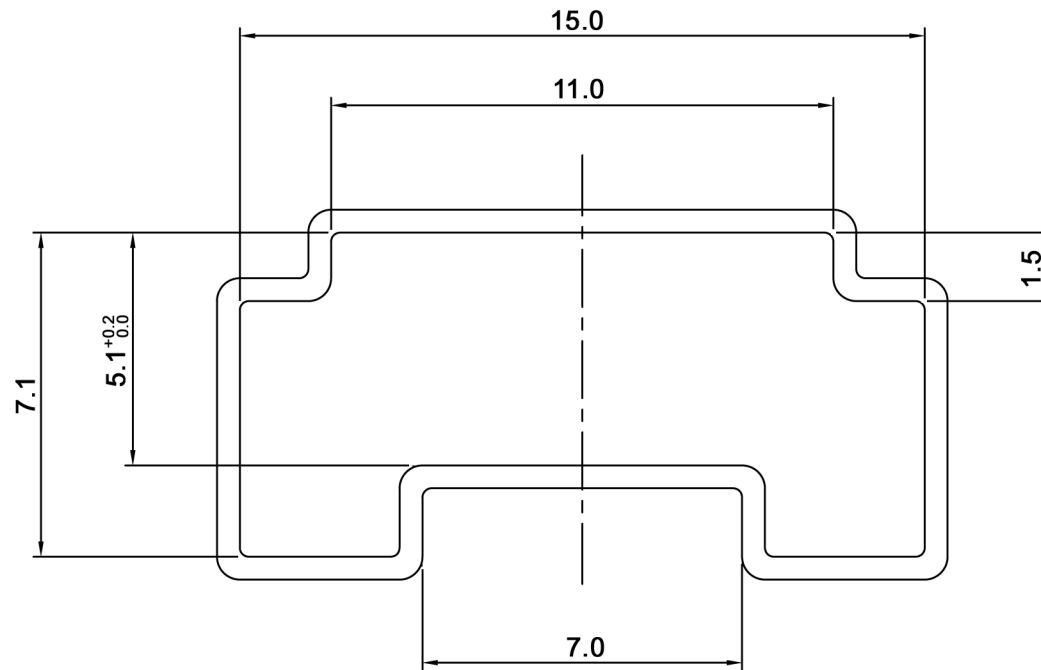
Contact rating: non-switching: 100mA, 50V DC
 switching: 30mA, 15V DC
Contact resistance: 100mOhm max.
Insulation resistance: 1 000MOhm min. at 250V DC
Dielectric strength: 250V AC for 1 minute
Operating temperature: -40°C to +85°C
Mechanical life: 20 000 cycles min.
Operating force: 250 gf.cm max.
Material: Base / cover: high-temp. thermoplastic nylon UL94V-0,
 molded black
 Movable contact: alloy copper, gold plated
 Actuator: high-temp. thermoplastic nylon UL94V-0,
 color: red
 O-ring: silicone
 Spring: stainless steel
 Terminal: brass, gold plated

Soldering conditions: IR reflow: 260 +/-5°C, 4-6sec.



Tolerances: ±0.20mm max.			Date	Name	<h1>SMR 5110</h1>
			12/12	dr	
			knitter-switch		<h2>30 27 59</h2>
Modifications			Date	Name	Page 2/3

Packaging:



Tolerances: ±0.15mm max.			Date	Name	SMR 5110
			12/12	dr	
			knitter-switch		30 27 59
					Page
					3/3
Modifications	Date	Name			

Packaging unit: 48 pcs. / tube