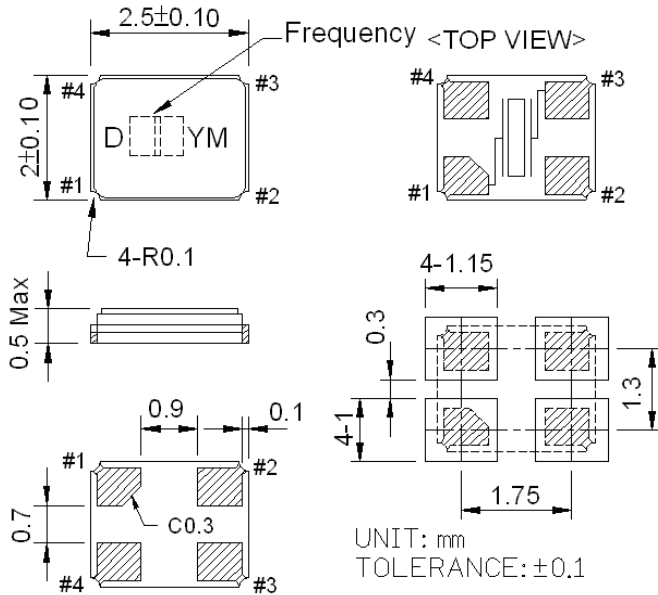


SPECIFICATION OF SURFACE MOUNT TYPE

| | |
|---|---|
| 1 .TYPE | DSX221SH |
| 2 .NOMINAL FREQUENCY | 24.000000 MHz |
| 3 .LOAD CAPACITANCE(CL) | 10.0 pF |
| 4 .DRIVE LEVEL | 10 uW +/- 2 uW (100 uW max.) |
| 5 .FREQUENCY TOLERANCE | +/- 10 x 10 ⁻⁶ at 25 deg.C +/- 3 deg.C |
| 6 .SERIES RESISTANCE | 100 ohms max. / CL = SERIES |
| 7 .FREQUENCY CHARACTERISTICS OVER TEMPERATURE | +/- 20 x 10 ⁻⁶ / -20 deg.C to +70 deg.C (ref. +25 deg.C) |
| 8 .OPERATING TEMPERATURE RANGE | -20 deg.C to +70 deg.C |
| 9 .STORAGE TEMPERATURE RANGE | -40 deg.C to +85 deg.C |
| 10 .SHUNT CAPACITANCE(C0) | 2.0 pF max. |
| 11 .INSULATION RESISTANCE | 500 Mohms min. at 100V DC |
| 12 .OVERTONE ORDER | Fundamental |
| 13 .DIMENSIONS | Refer to Fig-1 |



(Fig.-1)

Marking is Laser Marking:

*Marking should be printed as following:

Logo, Nominal Frequency, Manufactured year & month

*Nominal frequency = Mark two digits from upper (ex. 24.000000 MHz --> 24)

*Manufacturing Lot No.

(Y : year) ex. 2011 shall be marked as ' 1 ' (The last digit of the year)
 (M : month) ex. December shall be marked as ' M ' (As shown in Table-1.)

(Table-1)

| | | | | | | | | | | | |
|------|------|------|------|------|------|------|------|------|------|------|------|
| Jan. | Feb. | Mar. | Apr. | May. | Jun. | Jul. | Aug. | Sep. | Oct. | Nov. | Dec. |
| A | B | C | D | E | F | G | H | J | K | L | M |