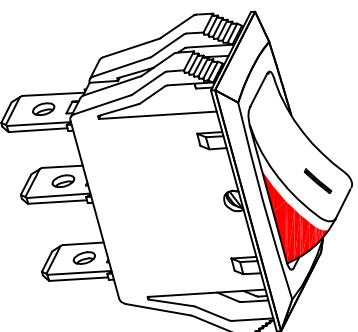
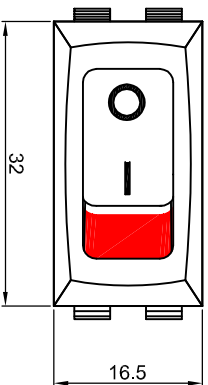




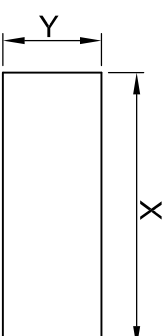
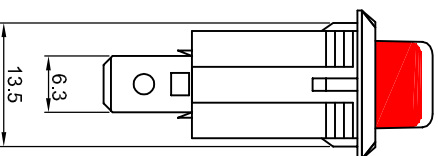
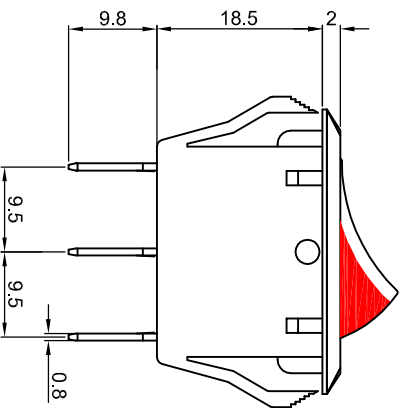
R-2

受控文件

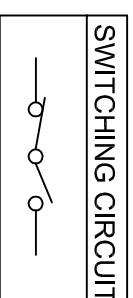


Rating: 16A 125/250VAC (UL CUL )  
 16 (4) A 250V AC (VDE ENEC CB CQC)  
 Contact Resistance: 50m Ω (Max)  
 Insulation Resistance: DC 500V 100M Ω (Min)  
 Dielectric Strength: AC1500V 1 minute  
 Electrical life: 10,000 cycles  
 Operating Temperature: 0℃~85℃  
 Safety Approval:

CUT-OUT



	X	Y
	28.6-0.1	13.8+0.1
	28.8-0.1	13.8+0.1
	29.2-0.1	13.8+0.1



MATERIAL:

Body:Nylon66, UL rated:94V-2 min  
 Actuator:Nylon66, UL rated:94V-2 min  
 Terminal:Brass,silver or tin plated

公差 TOLERANCES

.X± 0.3 .XX± 0.15

角度 ANGLE ± 1°

单位 DIMENSION UNIT mm.

Marking	柄							
	X	0	1	2	3	4	5	7
		None						

版本 VER.	变更说明 CHANGE DESCRIPTION	日期 DATE	ECN NO.	批准 APPROVED BY	核对 CHECKED BY	日期 DATE	绘图 DRAWN BY	品名 TITLE	图号 DRAWING NO
A1	重新整理发行	2009.09.19	N/A	李新超	李伟奇	2008.04.16	黄雄阳	R-2-120-DXN-BBR	R-2-120-DXN-BBR_A1
A0	新发行	2008.04.16	N/A	李新超	李伟奇	2008.04.16	黄雄阳	R-2-120-DXN-BBR	R-2-120-DXN-BBR_A1