

### Technical Data Sheet 1.6mm Round Subminiature Side Looking Phototransistor PT26-51B/TR8

#### Features

- Fast response time
- High photo sensitivity
- Small junction capacitance
- Package in 8mm tape on 7" diameter reels.
- Pb free
- The product itself will remain within RoHS compliant version.
- Compliance with EU REACH.
- Compliance Halogen Free .(Br <900 ppm ,Cl <900 ppm , Br+Cl < 1500 ppm)

#### Description

- PT26-51B/TR8 is a phototransistor in miniature SMD package which is molded in a black with spherical top view lens. The device is Spectrally matched to infrared emitting diode.

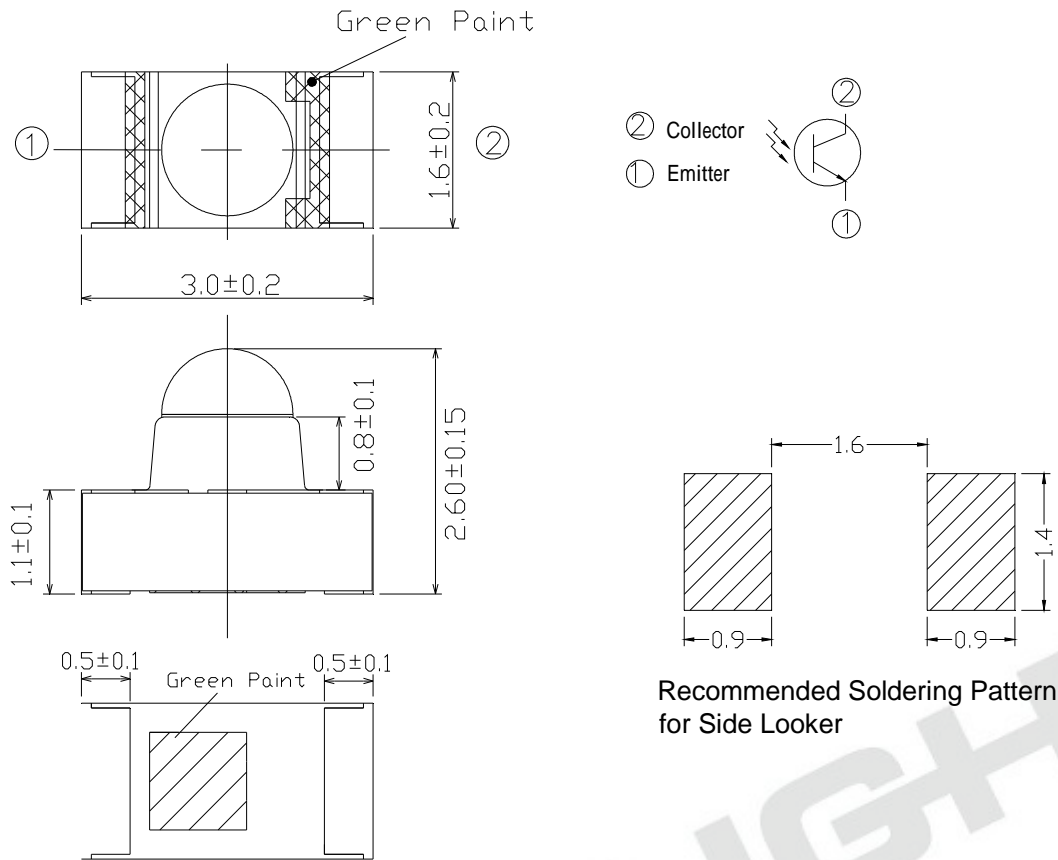
#### Applications

- Miniature switch
- Counters and sorter
- Position sensor
- Infrared applied system

#### Device Selection Guide

Device No.	Chip Material	Lens Color
PT26-51B/TR8	Silicon	Black

**Package Dimensions**



**Absolute Maximum Ratings (Ta=25 )**

Parameter	Symbol	Rating	Unit
Collector-Emitter Voltage	$V_{CEO}$	30	V
Emitter-Collector-Voltage	$V_{ECO}$	5	V
Collector Current	$I_C$	20	mA
Operating Temperature	$T_{opr}$	-25 ~ +85	
Storage Temperature	$T_{stg}$	-40 ~ +100	
Soldering Temperature *1	$T_{sol}$	260	
Power Dissipation at(or below) 25 Free Air Temperature	$P_c$	75	mW

**Notes: \*1:Soldering time 5 seconds.**

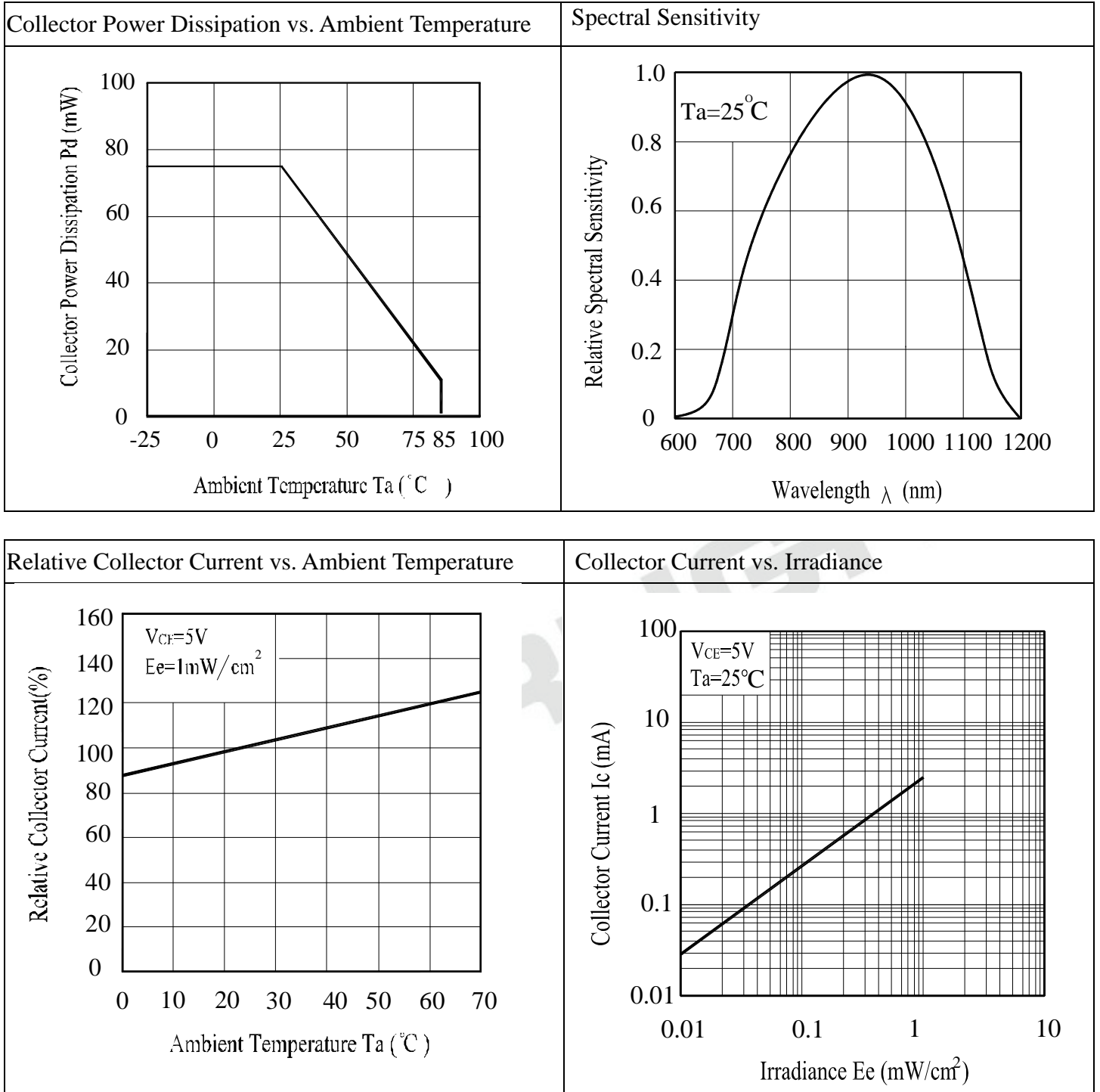
Electro-Optical Characteristics (Ta=25 )

Parameter	Symbol	Min.	Typ.	Max.	Unit	Condition
Rang Of Spectral Bandwidth	0.5	730	---	1100	nm	---
Wavelength Of Peak Sensitivity	p	---	940	---	nm	---
Collector-Emitter Breakdown Voltage	BV <sub>CEO</sub>	60	---	---	V	I <sub>C</sub> =500 μ A Ee=0mW/cm <sup>2</sup>
Emitter-Collector Breakdown Voltage	BV <sub>ECO</sub>	7	---	---	V	I <sub>E</sub> =50 μ A Ee=0mW/cm <sup>2</sup>
Collector-Emitter Saturation Voltage	V <sub>CE(sat)</sub>	---	---	0.4	V	I <sub>C</sub> =5mA Ee=1mW/cm <sup>2</sup>
Collector Dark Current	I <sub>CEO</sub>	---	---	100	nA	V <sub>CE</sub> =20V Ee=0mW/cm <sup>2</sup>
On State Collector Current	I <sub>C(ON)</sub>	---	1.0	---	mA	V <sub>CE</sub> =5V Ee=1mW /cm <sup>2</sup> p =940nm
Rise Time	t <sub>r</sub>	---	15	---	μ S	V <sub>CE</sub> =5V I <sub>C</sub> =1mA R <sub>L</sub> =1000
Fall Time	t <sub>f</sub>	---	15	---		

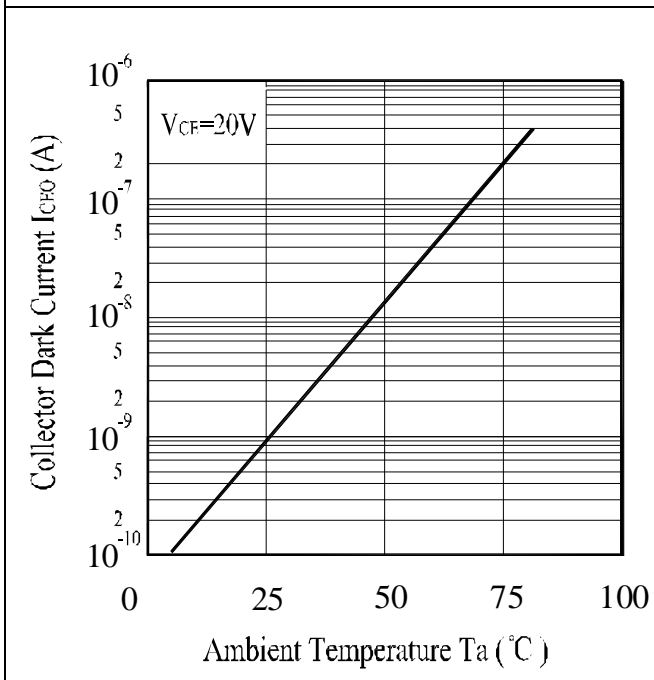
Rankings

Rank	Test Condition	Min	Max	Unit
Bin3	V <sub>CE</sub> =5V Ee=1mW /cm <sup>2</sup> p =940nm	0.70	1.90	mA
Bin4		1.14	2.60	
Bin5		1.77	3.61	
Bin6		2.67	5.07	
Bin7		3.54	7.07	

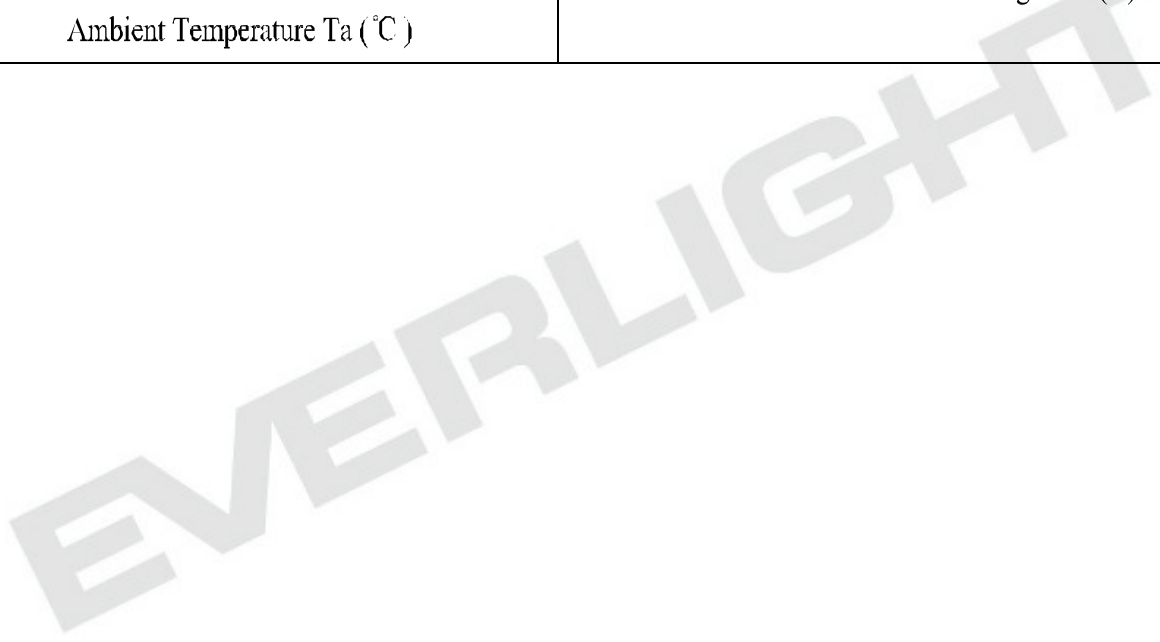
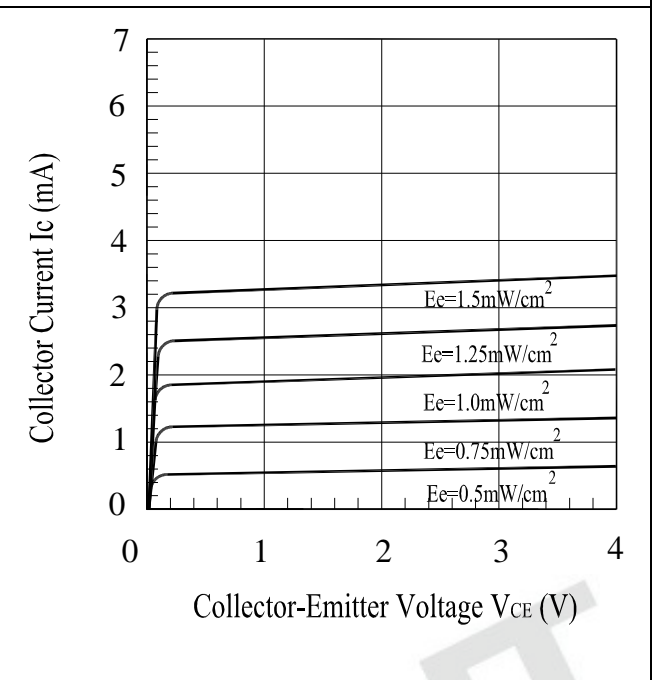
Typical Electrical/Optical/Characteristics Curves



Collector Dark Current vs. Ambient Temperature



Collector Current vs. Collector-Emitter Voltage



● **Precautions For Use**

1. Over-current-proof

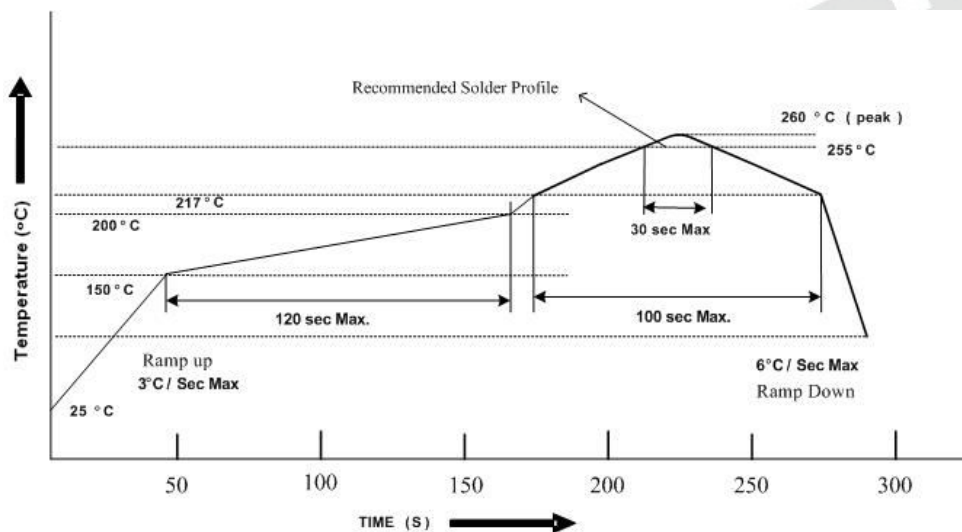
Customer must apply resistors for protection , otherwise slight voltage shift will cause big current change ( Burn out will happen ).

2. Storage

- 2.1 Do not open moisture proof bag before the products are ready to use.
- 2.2 Before opening the package, the LEDs should be kept at 30% or less and 90%RH or less.
- 2.3 The LEDs should be used within a year.
- 2.4 After opening the package, the LEDs should be kept at 30% or less and 60%RH or less.
- 2.5 The LEDs should be used within 168 hours (7 days) after opening the package.
- 2.6 If the moisture absorbent material (silica gel) has faded away or the LEDs have exceeded the storage time, baking treatment should be performed using the following conditions.  
Baking treatment :  $60 \pm 5$  for Min 24 hours.

3. Soldering Condition

3.1 Pb-free solder temperature profile



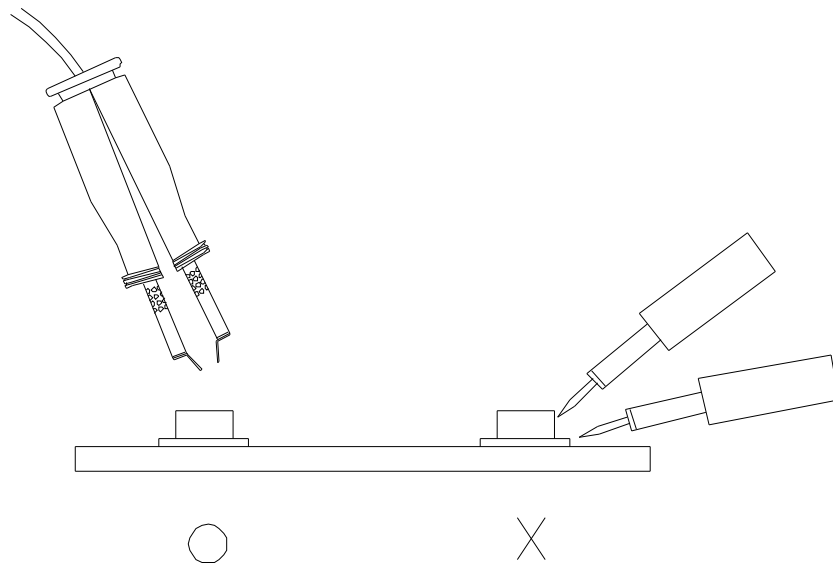
- 3.2 Reflow soldering should not be done more than two times.
- 3.3 When soldering, do not put stress on the LEDs during heating.
- 3.4 After soldering, do not warp the circuit board.

4. Soldering Iron

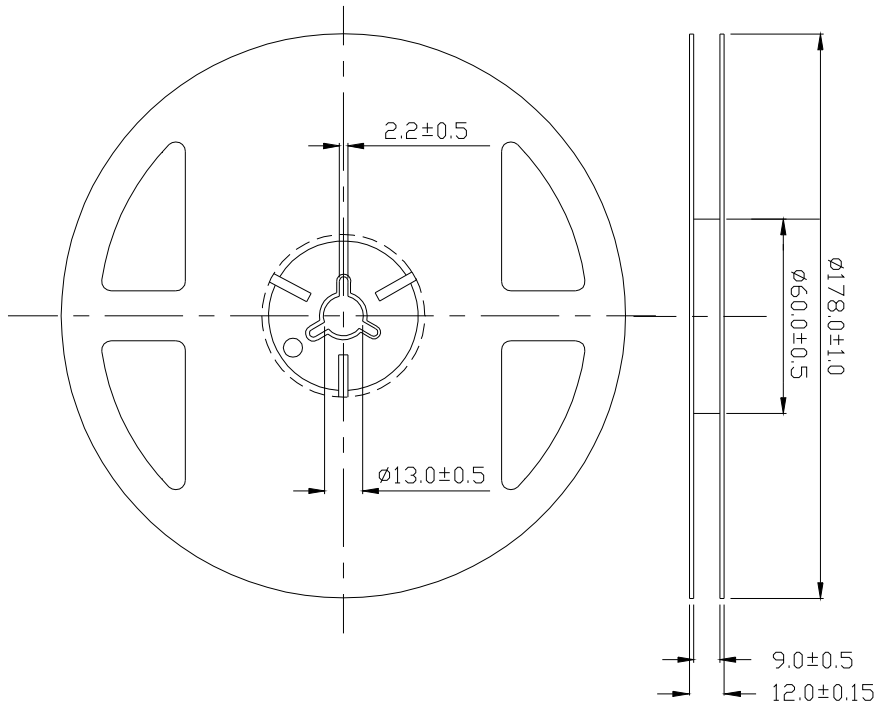
Each terminal is to go to the tip of soldering iron temperature less than 350 for 3 seconds within once in less than the soldering iron capacity 25W. Leave two seconds and more intervals, and do soldering of each terminal. Be careful because the damage of the product is often started at the time of the hand solder.

5. Repairing

Repair should not be done after the LEDs have been soldered. When repairing is unavoidable, a double-head soldering iron should be used (as below figure). It should be confirmed beforehand whether the characteristics of the LEDs will or will not be damaged by repairing.

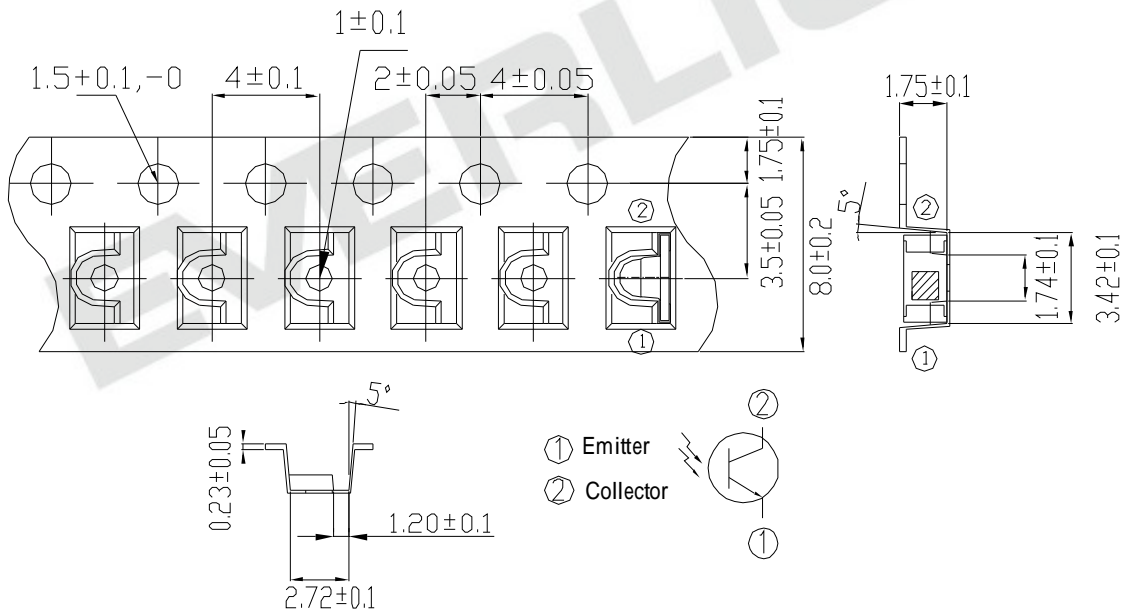


**Package Dimensions**



**Note:** The tolerances unless mentioned is  $\pm 0.1$ mm ,Unit = mm

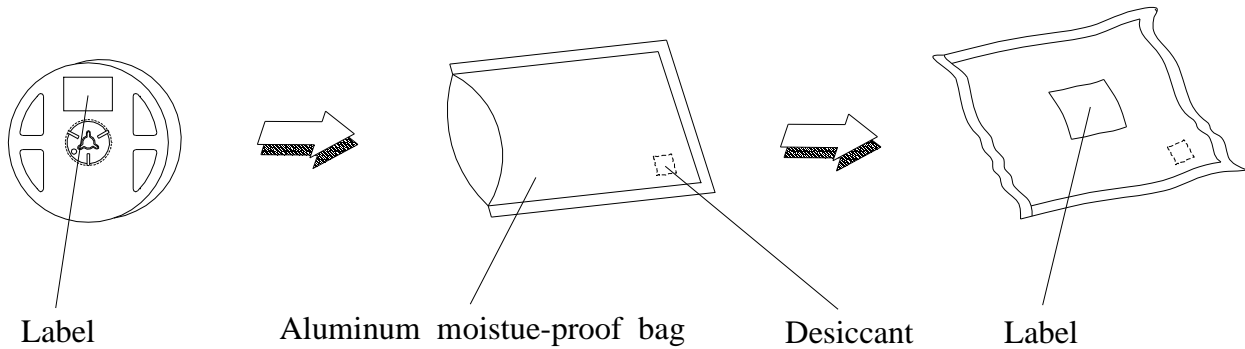
**2. Carrier Tape Dimensions:(Quantity: 1500pcs/reel)**



**Note:** The tolerances unless mentioned is  $\pm 0.1$ mm ,Unit = mm



## Packing Procedure



## Label Form Specification

The label form includes the following fields and markings: EVERLIGHT logo, RoHS compliance mark, CPN: XXXXXXXXXXXX, P/N: XXXXXXXXXXXX, QTY: XXX, LOT NO: XXXXXXXXXXXX, Reference: XXXXXXXX, and CAT: XXX, HUE: XXX, REF: XXX.

CPN: Customer's Production Number  
P/N : Production Number  
QTY: Packing Quantity  
CAT: Ranks  
HUE: Peak Wavelength  
REF: Reference  
LOT No: Lot Number  
MADE IN TAIWAN: Production Place

## Notes

1. Above specification may be changed without notice. EVERLIGHT will reserve authority on material change for above specification.
2. When using this product, please observe the absolute maximum ratings and the instructions for using outlined in these specification sheets. EVERLIGHT assumes no responsibility for any damage resulting from use of the product which does not comply with the absolute maximum ratings and the instructions included in these specification sheets.
3. These specification sheets include materials protected under copyright of EVERLIGHT corporation. Please don't reproduce or cause anyone to reproduce them without EVERLIGHT's consent.