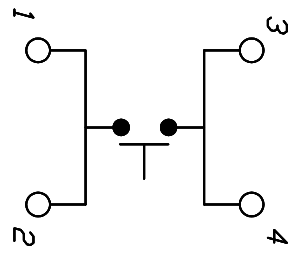
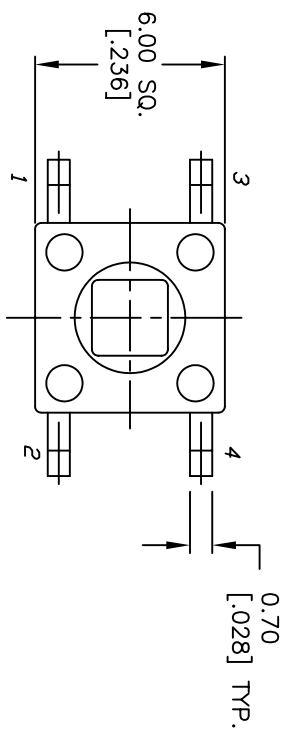
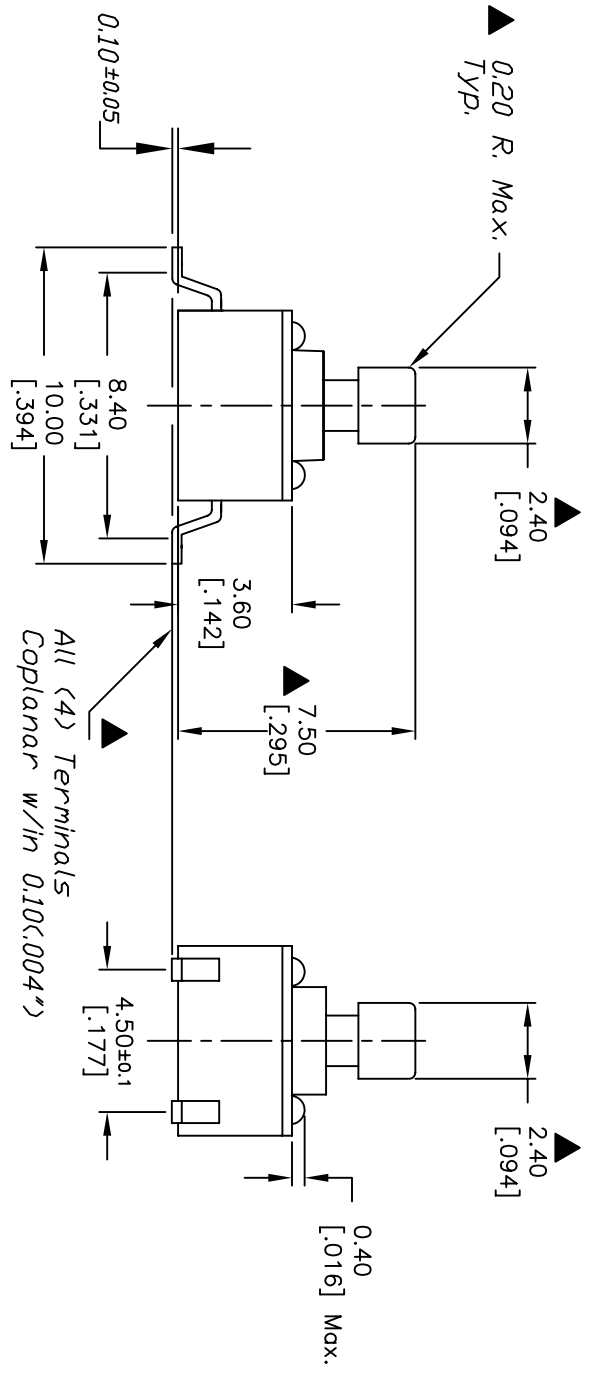


RECOMMENDED MOUNTING PAD



CIRCUIT: SPST

- NOTES:
1. ALL DIMENSIONS IN MM [INCH]
 2. GENERAL TOLERANCE: X.X=±0.4
X.XX=±0.25
 3. TERM. NOS. FOR REFERENCE ONLY.
 4. RATINGS: 12VDC, 50mA
 5. CONTACT MATERIAL: Silver
 6. OPERATING FORCE: 160±50gf
 7. TRAVEL: 0.25±0.1mm
 8. CONTACT RESISTANCE: 100Ω Max.
 9. ELECTRICAL LIFE: 100,000 CYCLES min.
 10. DESIGNATE MAJOR FEATURE:
 11. BODY& STEM: HIGH TEMP. PLASTIC -PPS RYTON-R-4
 12. PACKAGED: TAPE AND REEL



All (4) Terminals Coplanar w/in 0.10(.004")



REVISED		7/26/01		CJB	
DESCRIPTION		DATE		CHKD	
THE INFORMATION CONTAINED IN THIS DOCUMENT IS PROPRIETARY TO E-SWITCH AND IS NOT TO BE COPIED OR TRANSFERRED					
TITLE					
TL3301 T F160 Q G (Tape & Reel)					
SCALE		DATE		DR	
4:1		7/26/01		CJB	
DWG		P010794		REV	
B		B		B	