

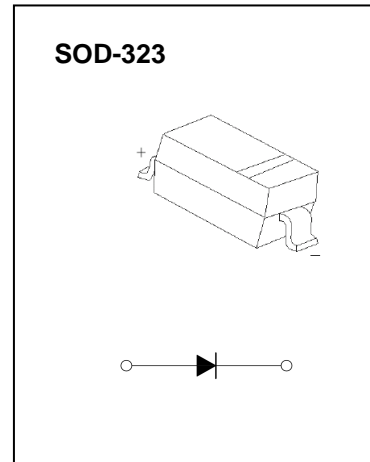


SOD-323 Plastic-Encapsulate Diodes

RB551V-30 Schottky Barrier Diode

FEATURES

- Low current rectifier schottky diode
- Low voltage, low inductance
- For power supply



MAKING: D

Maximum Ratings and Electrical Characteristics, Single Diode @Ta=25°C

Parameter	Symbol	Limit	Unit
Peak reverse voltage	V_{RM}	30	V
DC reverse voltage	V_R	20	V
Mean rectifying current	I_O	0.5	A
Peak forward surge current	I_{FSM}	2	A
Power dissipation	P_d	250	mW
Thermal resistance junction to ambient	$R_{\theta JA}$	400	°C/W
Junction temperature	T_j	125	°C
Storage temperature	T_{stg}	-55~+150	°C

Electrical Ratings @Ta=25°C

Parameter	Symbol	Min	Typ	Max	Unit	Conditions
Forward voltage	V_F			0.36 0.47	V	$I_F=100mA$ $I_F=500mA$
Reverse current	I_R			100	μA	$V_R=20V$

Typical Characteristics

RB551V-30

