

REV.	DESCRIPTION	DRAWN	CHECKED	APPROVED
A	NEW RELEASE	YCH 05/21/14'	~	LJC 05/21/14'
B	DRAWING UPDATE	JLZ 06/03/16'	HZW 06/03/16'	LJC 06/03/16'

NOTES:

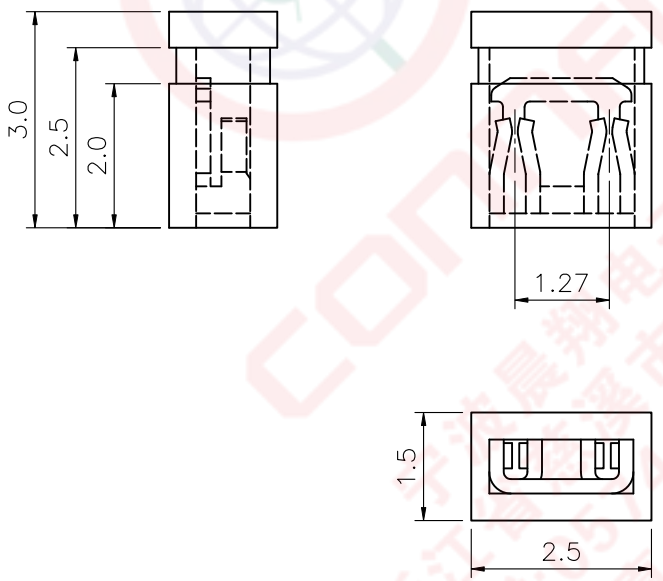
1. SPECIFICATION:
 - 1.1 CONTACT RESISTANCE: 20mΩ MAX.
 - 1.2 DIELECTRIC WITHSTANDING VOLTAGE: 250V AC(rms) FOR 1 MINUTE.
 - 1.3 INSULATION RESISTANCE: 500MΩ MINI.
 - 1.4 OPERATING TEMPERATURE: -40°C~+105°C.

2. MATERIALS:
 - 2.1 CONTACT MATERIAL: COPPER ALLOY.
 - 2.2 INSULATOR MATERIAL: PLASTIC.

3. PRODUCT NUMBER CODE:

DS1028-02 - X X X X

- CONTACT PLATING:
2: GOLD+NICKEL
- HOUSING COLOR:
B: BLACK
- HOUSING TYPE:
B:CLOSE
- No.OF CONTACTS:
2: 2pin



GENERAL TOLERANCE		ANGLE TOLERANCE	
X.	±0.60	X.	±5°
.X	±0.38	.X	±3°
.XX	±0.25	.XX	±2°

PROJECTION		TITLE	MINI JUMPER PITCH 1.27mm
UNITS	mm	SHEET SIZE	A4
SHEET SIZE	A4	SERIES	DS1028-02 SERIES

DRAWING TYPE	CUSTOMER		
SCALE	1:1	SHEET	1 OF 1
DRAWING NO.	C-DS1028-02-XXXX-B		

晨翔电子有限公司
CONNFLY CONNFLY ELECTRONIC CO. LTD