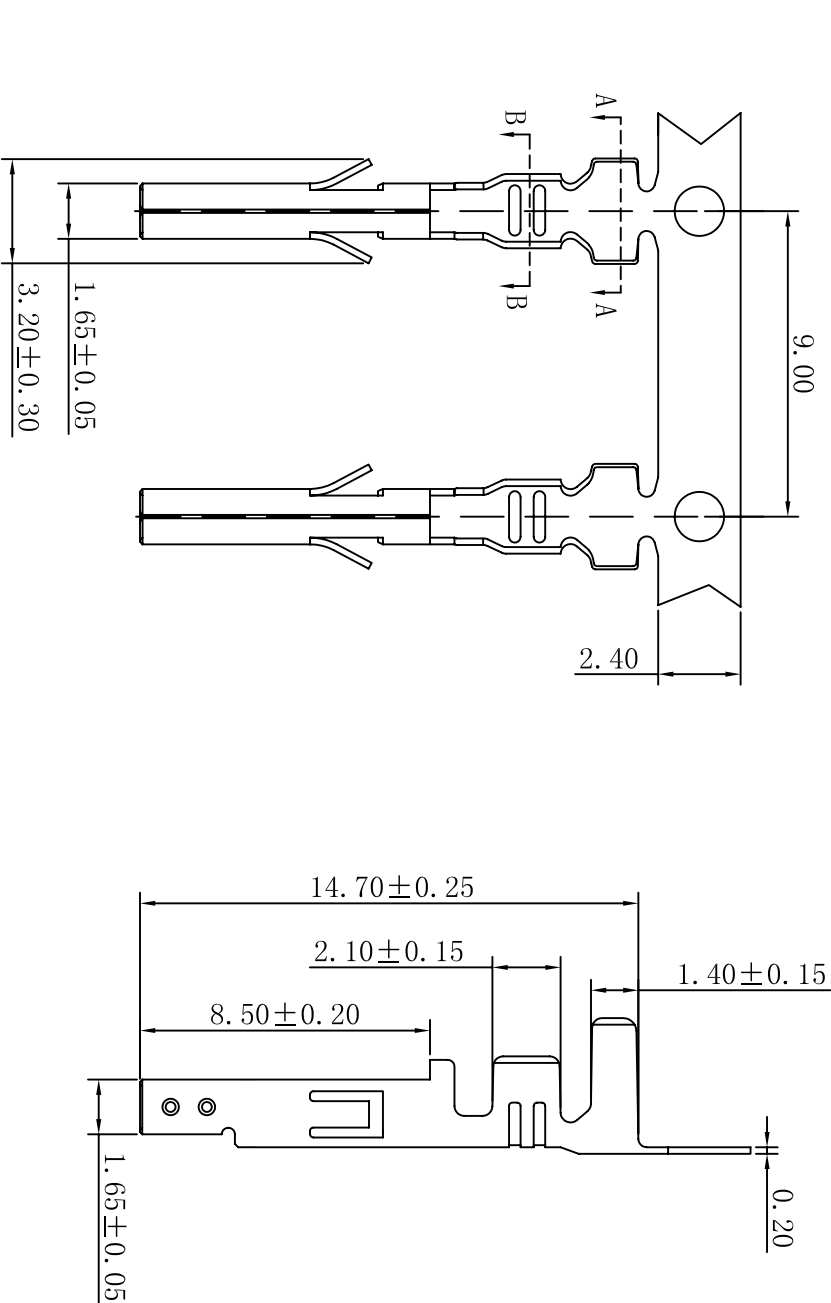


SPECIFICATIONS (规格)

- Voltage Rating (额定电压) : 600V AC, DC
- Current Rating (额定电流) : 7A, AC, DC
- Withstanding Voltage (耐电压) : 1500V AC/minute
- Insulation Resistance (绝缘电阻) : 1000MΩ min
- Temperature Range (工作温度) : -25° C~+85° C
- Contact Resistance (接触电阻) : 10mΩ max
- Applicable wire: AWG#18-#24*2
- Material: Brass or Phosphor Bronze
- Finish: Tin plated
- Q'ty: 5000 pcs/Reel



RoHS Compliant

A-A SEC

B-B SEC

REV.	变更内容/DESCRIPTION	日期/DATE	BY
A	新规格作成	2015-7-17	chen

一般公差 GENERAL TOLERANCE:	.0 ± 0.20 .00 ± 0.15 .000 ± 0.05	投影法 Projection		品名 (PART NAME)	Pitch 4.20mm 高脚 母Terminal
绘图/DR	chen	单位 Unit	MM	料号 (PART NO)	C4202B-GTH/C4202P-MTH
核准/APPD	陈旺	比例 Scale	1/1		
日期/DATE	2015-7-17	版本 Rev	A		