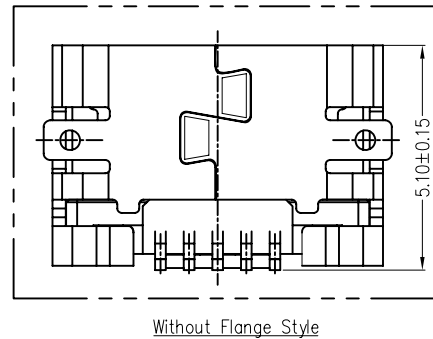
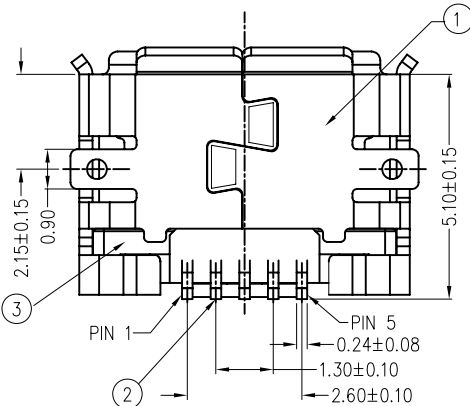
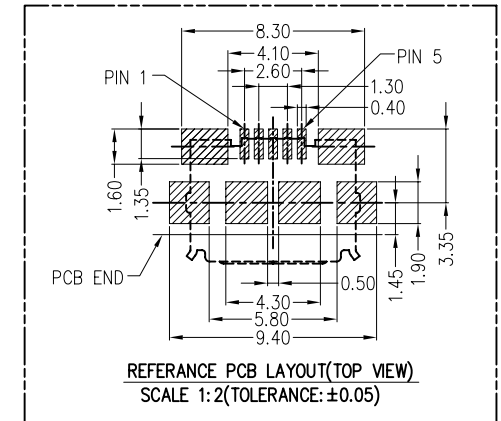
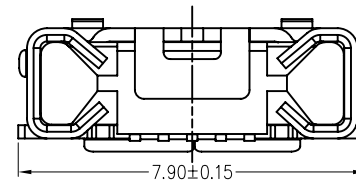
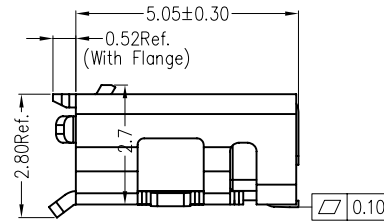
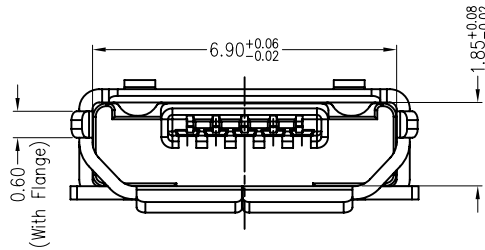


- NOTES:
- MATERIAL:  
HOUSING: HIGH THERMOPLASTIC RESIN, UL94V-0, COLOR: BLACK  
TERMINAL: COPPER ALLOY  
SHELL: STAINLESS
  - FINISH:  
CONTACT AREA: GOLD PLATED  
CONTACT SOLDER AREA: GOLD FLASH  
SHELL: MATTE TIN PLATED  
UNDER NICKEL PLATED ALL OVER.
  - PRODUCT SPECIFICATION: GS-12-641.
  - PACKAGING SPECIFICATION: GS-14-2180.
  - THE "LF" MEANS FOR LEAD FREE AND CAN WITHSTAND EXPOSE TO 260°C PEAK TEMPERATURE FOR 10 SECONDS IN IR REFLOW PROCESS.
  - PART NUMBER: 10118192-000 X LF

- 1- WHIT FLANGE
- 2- WITHOUT FLANGE



Item	Title	Q'TY
1	Shell	1
2	Terminal	5
3	InsertMolding	1

mat'l. code		surface ASME Y14.5 ✓		tolerance ASME Y14.5		projection MM		product family USB	
litr		ecn no		date		tolerances unless otherwise specified		title	
A		LS		10/21/11		.X±0.38		MICRO USB B TYPE RECEPTACLE	
B		ELX-N-20835 Nick		5/07/15		.XX±0.25		sheet 1 of 1	
						angles X°±2°		size A4	
						.XXX±0.10		sheet 1 of 1	
				dr		JASON HSU 05/21/11		sheet 1 of 1	
				enrg		JASON HSU 05/21/11		size A4	
				chr		JASON HSU 05/21/11		sheet 1 of 1	
				appd		GARY HSIEH 05/21/11		size A4	
sheet index		revision sheet		B		FCI		type CUSTOMER Drawing	
1		1		1					