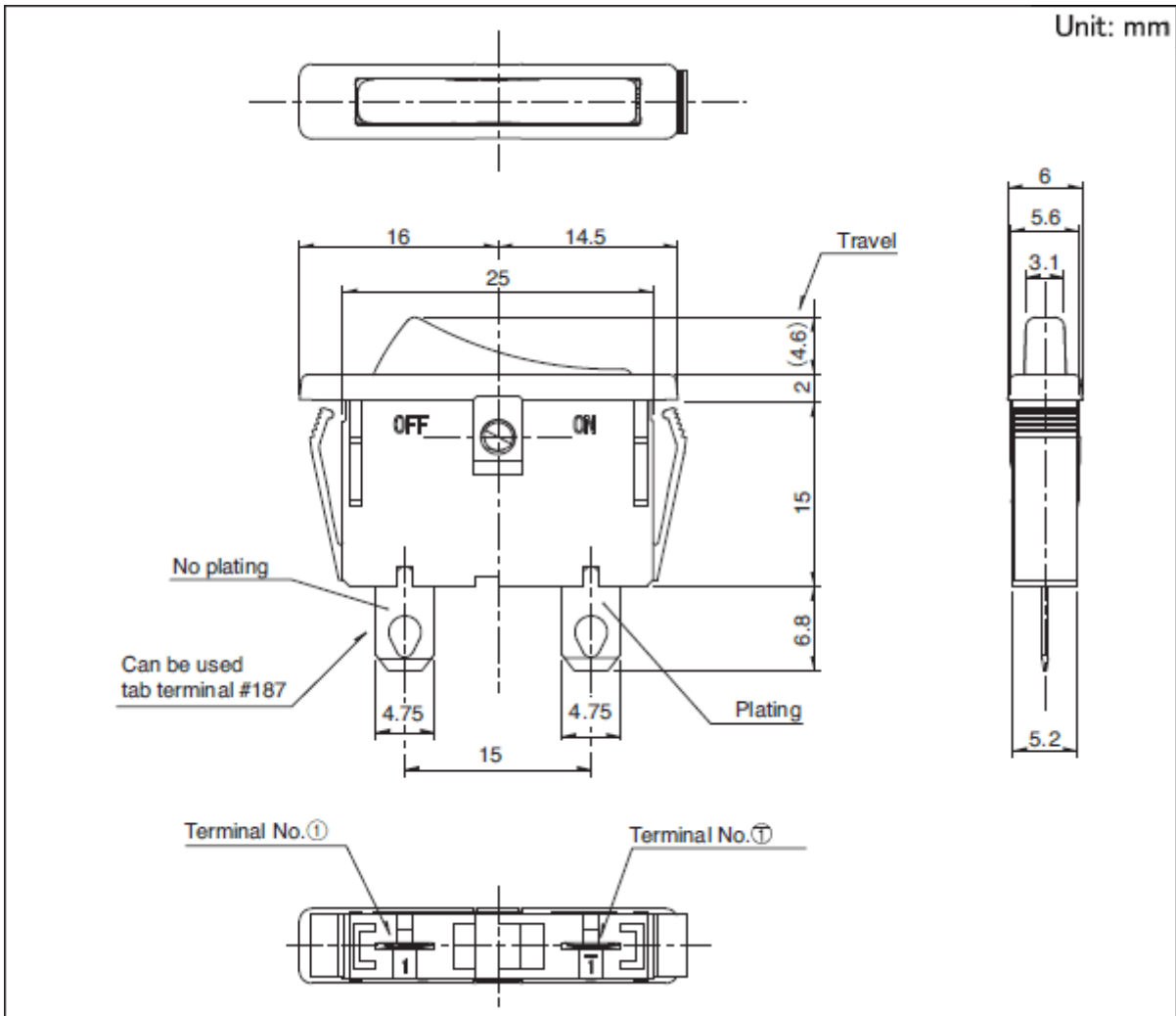




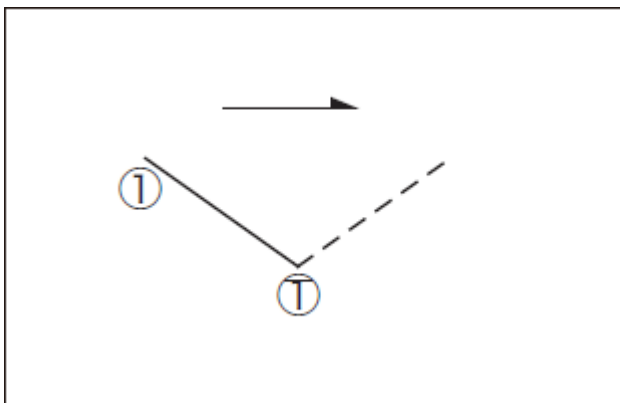
Slim Type Single Pole Rocker Type SDDJF1A Series

Type	Rocker		
Circuit arrangement	SPST		
Travel	4.6mm		
Operating force	3±2N		
Mounting method	Snap-in		
Terminal type	For Lead		
Marking (knob)	Without		
SEMKO (ENEC)	10(6)/250~, 8A/128A 250V~		
Operating temperature range	-10°C to +55°C		
Rating	8A/128A 250V~, 10(6)/250~		
Electrical performance	Contact resistance	100mΩ max.	
	Insulation resistance	500MΩ min. 500V DC	
	Voltage proof	2,000V AC for 1 minute	
Mechanical performance	Terminal strength	50N for 1 minute	
	Actuator strength	Operating direction	25N
		Perpendicular direction	25N
Durability	Operating life	10,000 cycles 10A 250V AC	
Environmental performance	Cold	-20°C 96h	
	Dry heat	85°C 96h	
	Damp heat	40°C, 90 to 95%RH 96h	
Minimum order unit (pcs.)	Japan	150	
	Export	750	

Dimensions



Circuit Diagram



Packing Specifications

Tray

Number of packages 1 case / Japan 150
(pcs.)

1 case / export packing 750

Export package measurements (mm) 400×270×290

Soldering Conditions

Reference for Hand Soldering

Soldering temperature	350±10℃
-----------------------	---------

Soldering time	3+1/0s
----------------	--------

Notes are common to this series/models.

1. This site catalog shows only outline specifications. When using the products, please obtain formal specifications for supply.
2. Please place purchase orders per minimum order unit (integer).