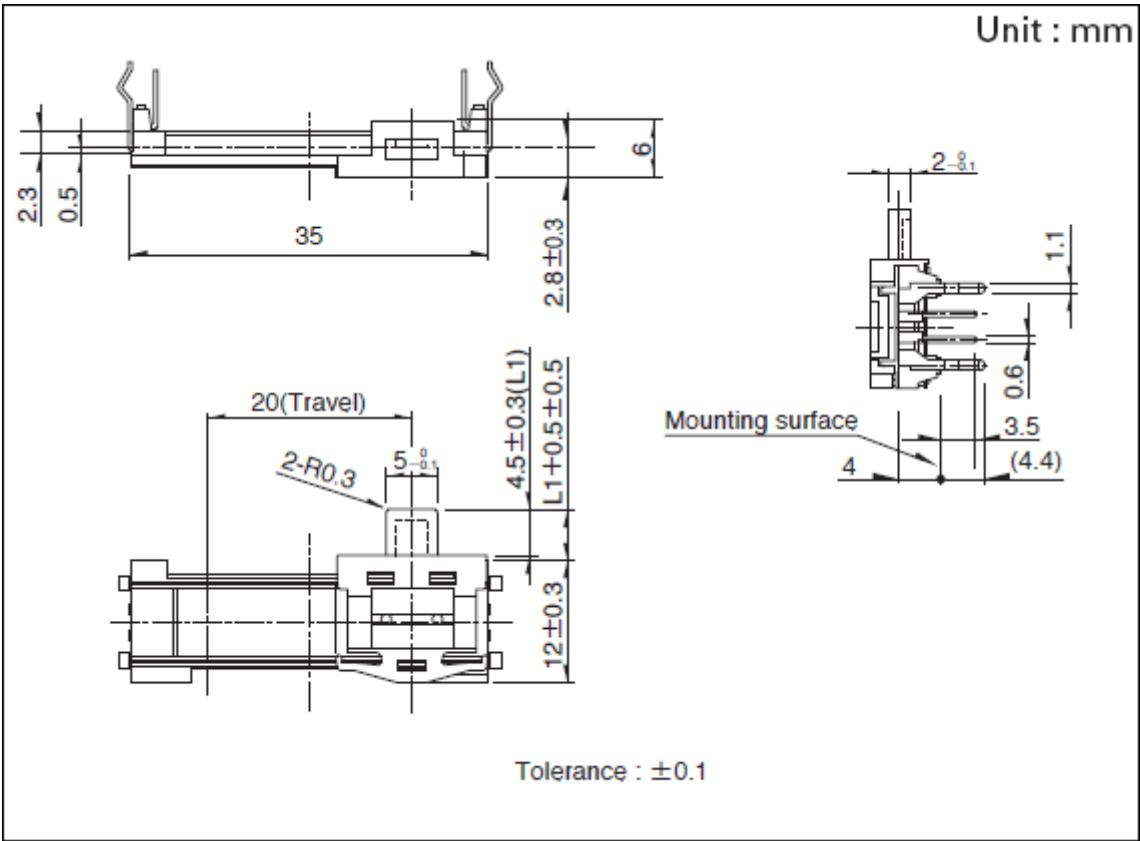




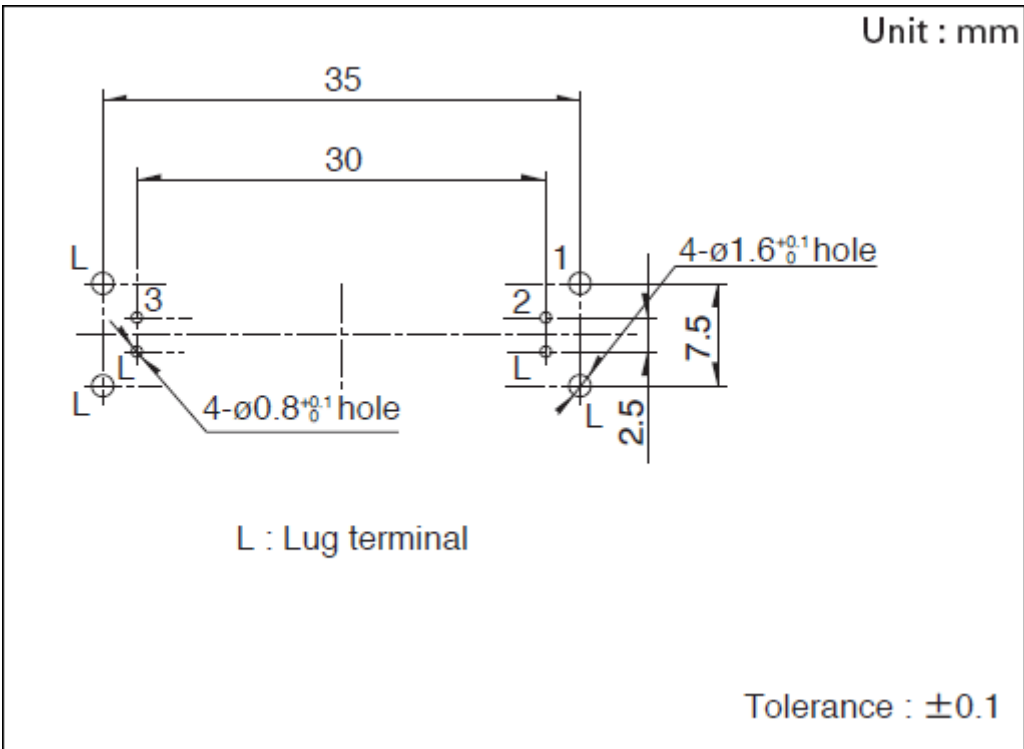
## Slim Slide™(Slim 4) RS\*\*H Series

Number of resistor elements	Single-unit	
Direction of lever	Horizontal	
Travel	20mm	
Lever type	A	
Length of lever	4.5mm	
Total resistance	10kΩ	
Resistance taper	1B	
Center detent	Without	
Tap	Without	
Operating temperature range	-25°C to +70°C	
Electrical performance	Total resistance tolerance	±20%
	Maximum operating voltage	100V AC, 10V DC
	Rated power	0.05W
Mechanical performance	Operating force	0.6(+0.5, -0.4)N
	Stopper strength	30N
	Lever push-pull strength	30N
	Lever wobble (Both side)	1.6mm max.
Durability	Operating life	10,000 cycles
Minimum order unit (pcs.)	Japan	2,750
	Export	5,500

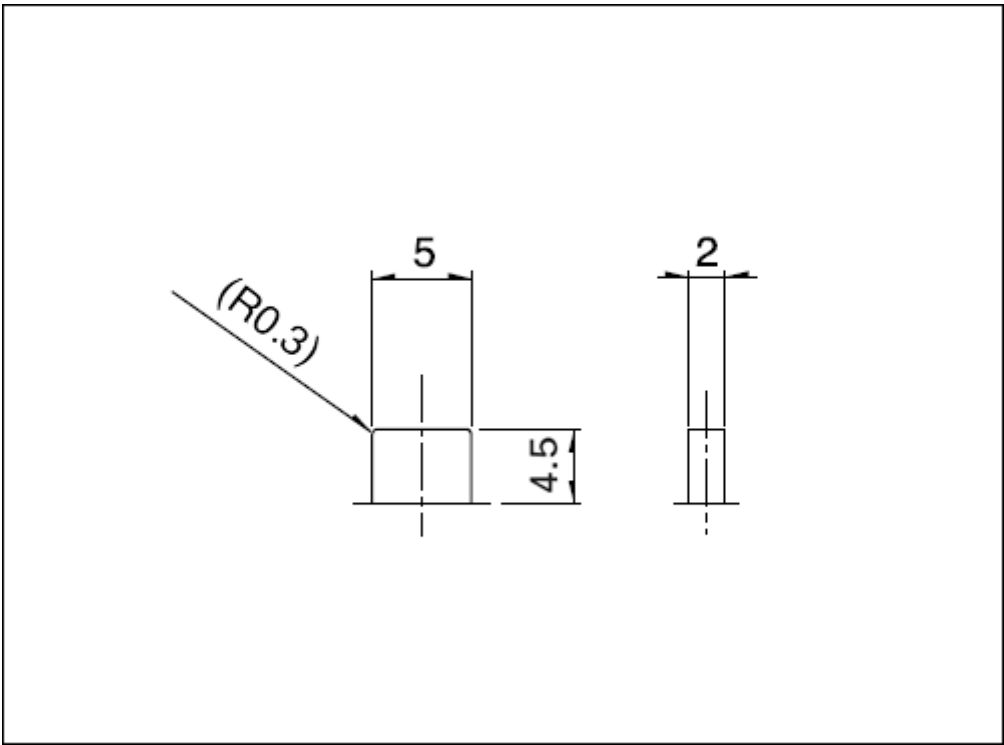
## Dimensions



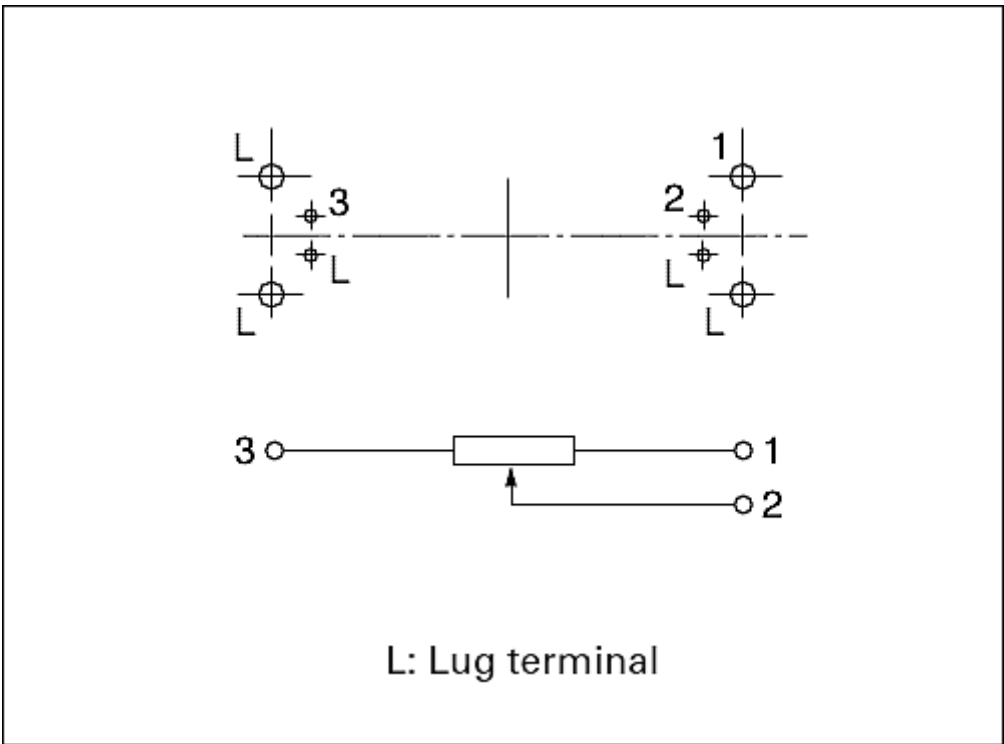
Mounting Hole Dimensions



Lever Type



Terminal Layout / Circuit Diagram



Packing Specifications

Tray

Number of packages 1 case / Japan (pcs.)	2,750
1 case / export packing	5,500
Export package measurements (mm)	508×374×408

## Soldering Conditions

### Reference for Dip Soldering

---

Preheating	Soldering surface temperature	100°C max.
	Heating time	1 min. max.
Dip soldering	Soldering temperature	260°C max.
	Soldering time	5s max.
No. of solders		1 time

---

### Reference for Hand Soldering

---

Tip temperature		350°C max.
Soldering time		3s max.
No. of solders		1 time

---

Notes are common to this series/models.

1. This site catalog shows only outline specifications. When using the products, please obtain formal specifications for supply.
2. Place your purchase order in N minimum package units (N: integer).
3. Products other than those listed in above products are also available. Please contact us for details.