



ThumbPointer™ (Stick Controller) RKJXK/RKJXV Series

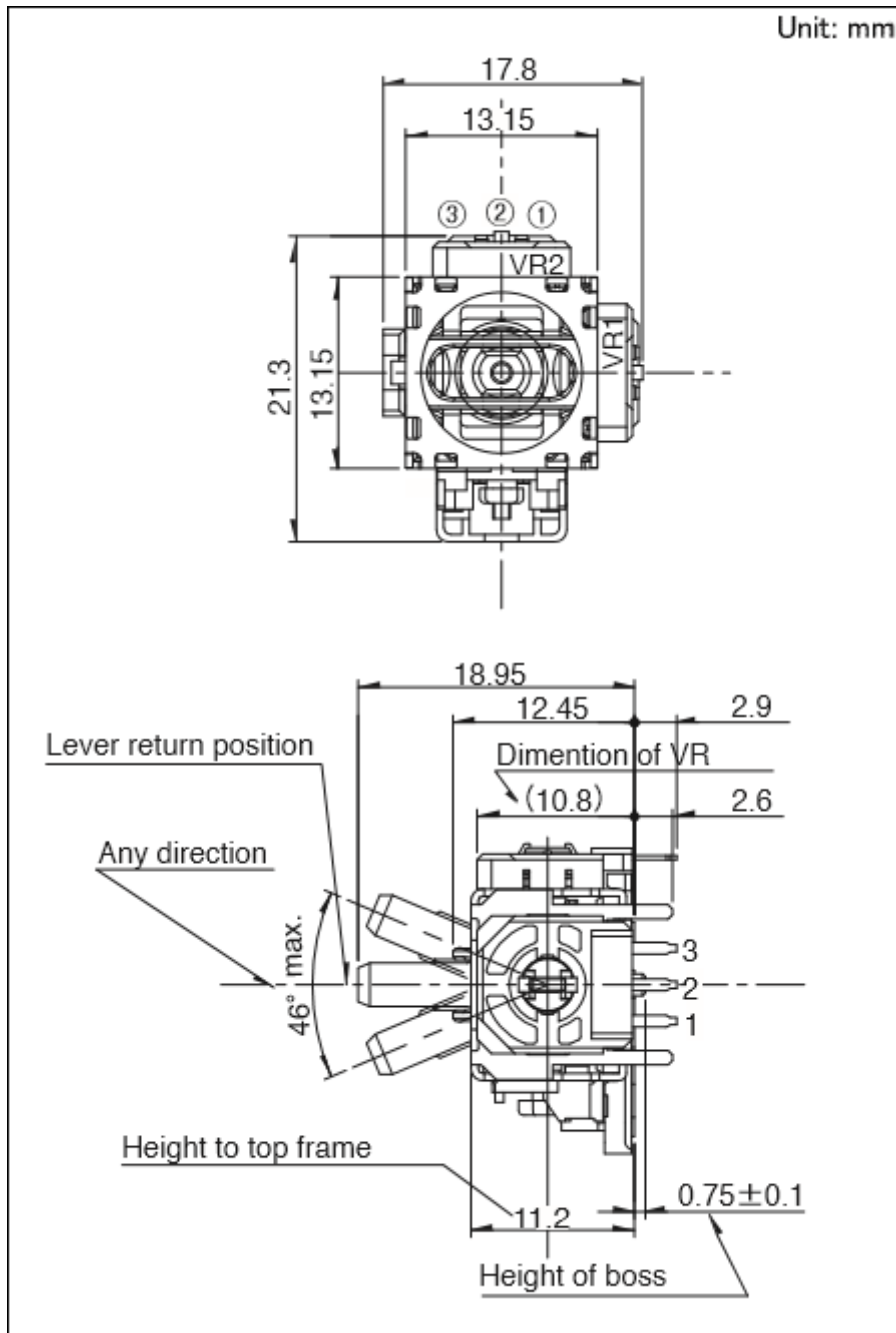
Number of operating shafts		Single-shaft
Shaft material		Resin
Lever return mechanism		With
Potentiometer part	Maximum operating voltage	50V AC, 5V DC
	Operating angle	Each direction 23° max.
	Resistance taper	B (0B)
	Total resistance	10kΩ
	Operating life	2,000,000cycles
Center push part	Center push	Without
Operating temperature range		-10°C to +70°C
Electrical performance	Directional resolution	Continuous
	Insulation resistance	100MΩ min. 250V DC
	Voltage proof	250V AC for 1 minute
	Rated power	0.0125W
	Slider noise	300mV p-p max. by JIS method
Mechanical performance	Directional operating force	14±10mN · m
	Push operating force	7.4±3N
	Lever return precision	±5°
	Actuator strength	Push/pull directions 98N min. (Push), 50N min. (Pull)
Durability	Operating life	Directions 2,000,000 cycles
		Center push 500,000 cycles
Environmental performance	Cold	-30°C 96h
	Dry heat	80°C 96h

Damp heat

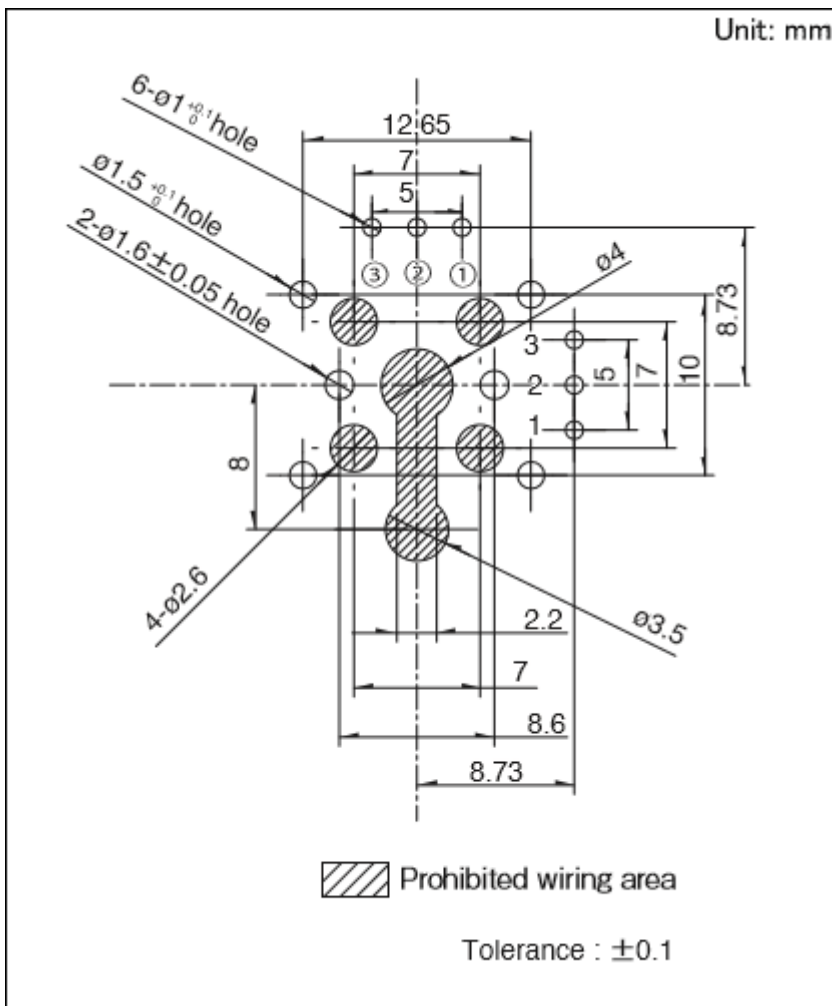
60°C, 90 to 95%RH 96h

Minimum order unit (pcs.)	Japan	1,600
	Export	1,600

Dimensions

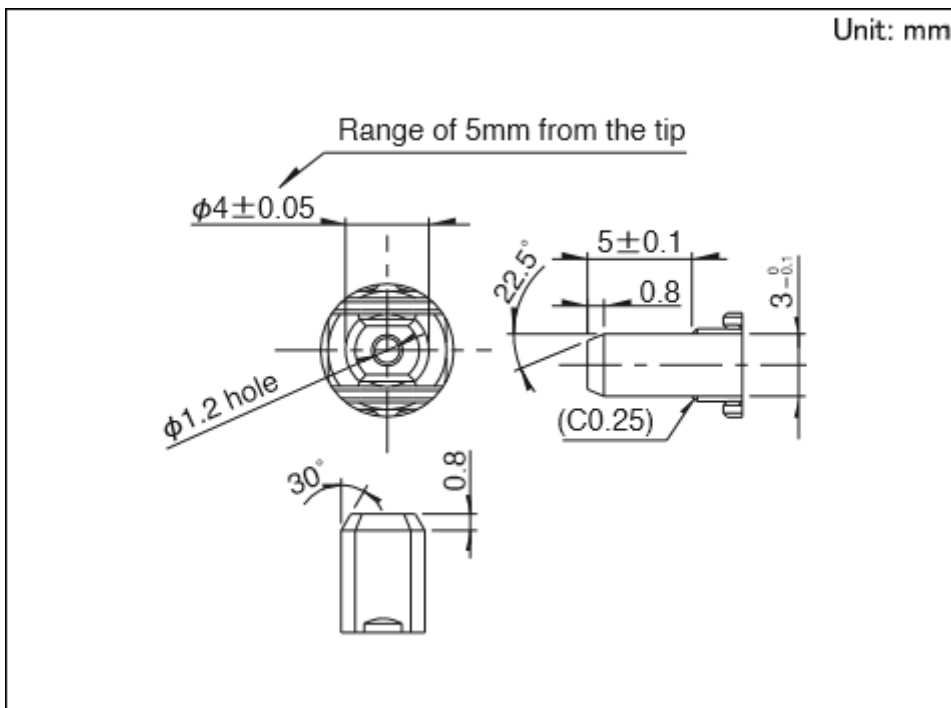


Mounting Hole Dimensions



Viewed from mounting side.

Lever Dimensions



Packing Specifications

Tray

Number of packages 1 case / Japan 1,600

(pcs.)	1 case / export packing	1,600
Export package measurements (mm)	540×360×250	

Soldering Conditions

Reference for Dip Soldering

Preheating	Soldering surface temperature	90 to 100°C
	Heating time	60s max.
Dip soldering	Soldering temperature	260°C
	Soldering time	5s
No. of solders	1 time	

Reference for Hand Soldering

Tip temperature	350°Cmax.	
Soldering time	3s max.	
No. of solders	1 time	

Notes are common to this series/models.

1. This site catalog shows only outline specifications. When using the products, please obtain formal specifications for supply.
2. Please place purchase orders per minimum order unit (integer).