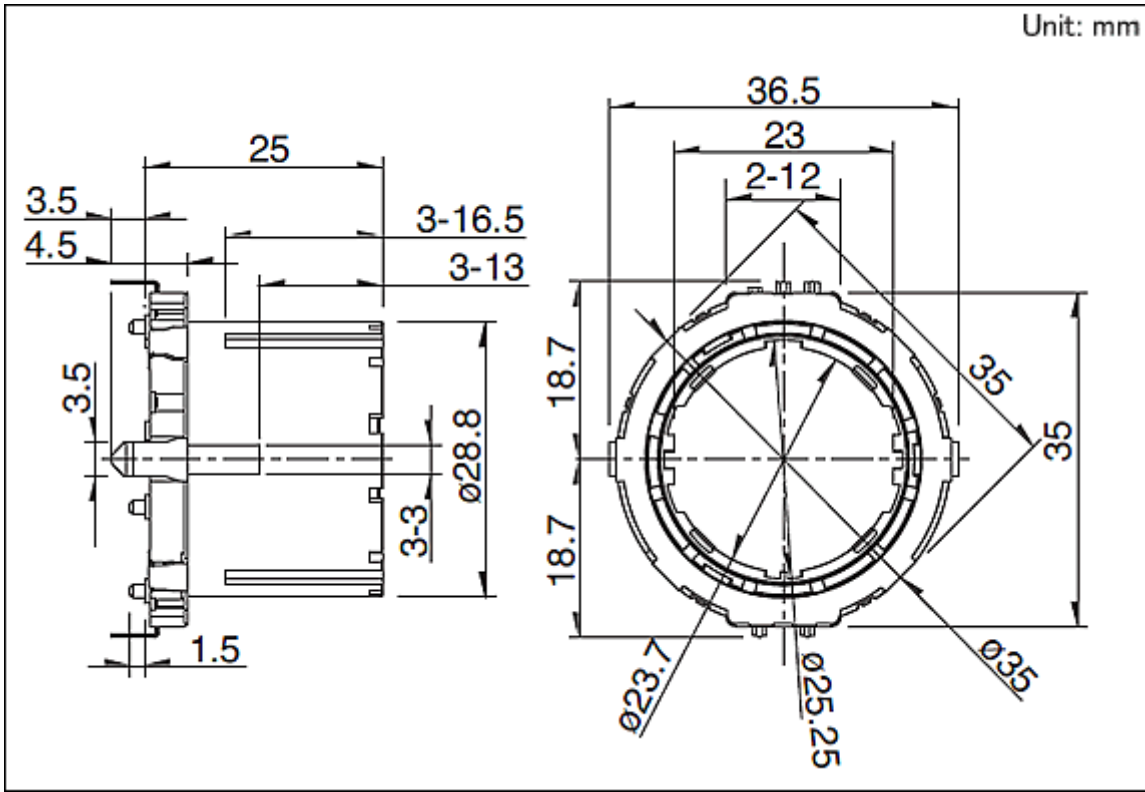




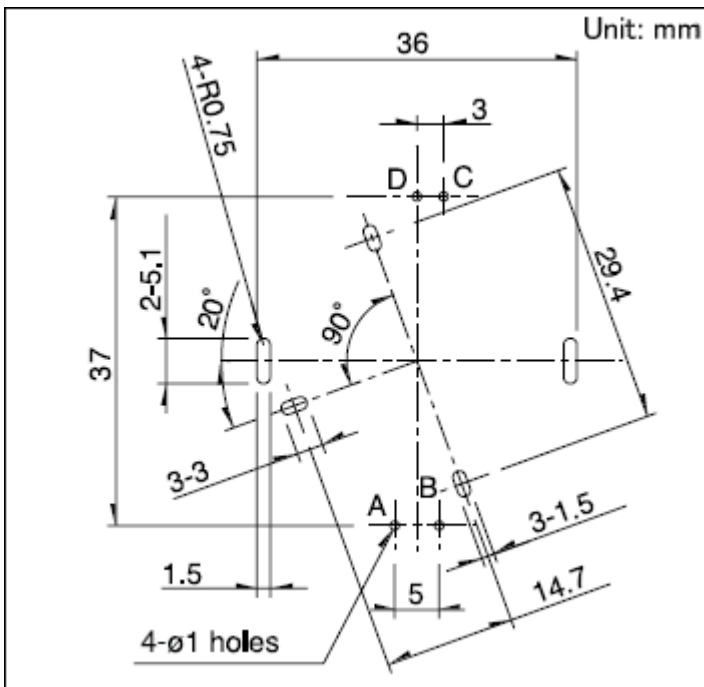
## 35mm Size ABC Switch Type EC35AH/EC35CH Series

Actuator length		25mm	
Detent torque		18±7mN·m	
Number of detent		30	
Number of pulse		10	
Operating temperature range		-40°C to +85°C	
Electrical performance	Ratings	10mA 5V DC	
	Output signal	Three phase A,B and C	
	Max./min. operating current(Resistive load)	10mA/1mA	
	Insulation resistance	100MΩ min. 250V DC	
	Voltage proof	300V AC for 1 minute or 360V AC for 2s	
Mechanical performance	Actuator strength	Pushing direction	100N
		Pulling direction	100N
Durability	Operating life	50,000 cycles	
Minimum order unit (pcs.)	Japan	350	
	Export	700	

### Dimensions

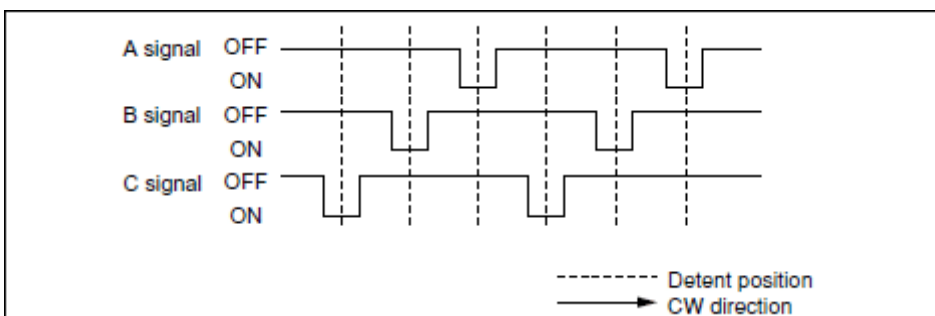


### Mounting Hole Dimensions

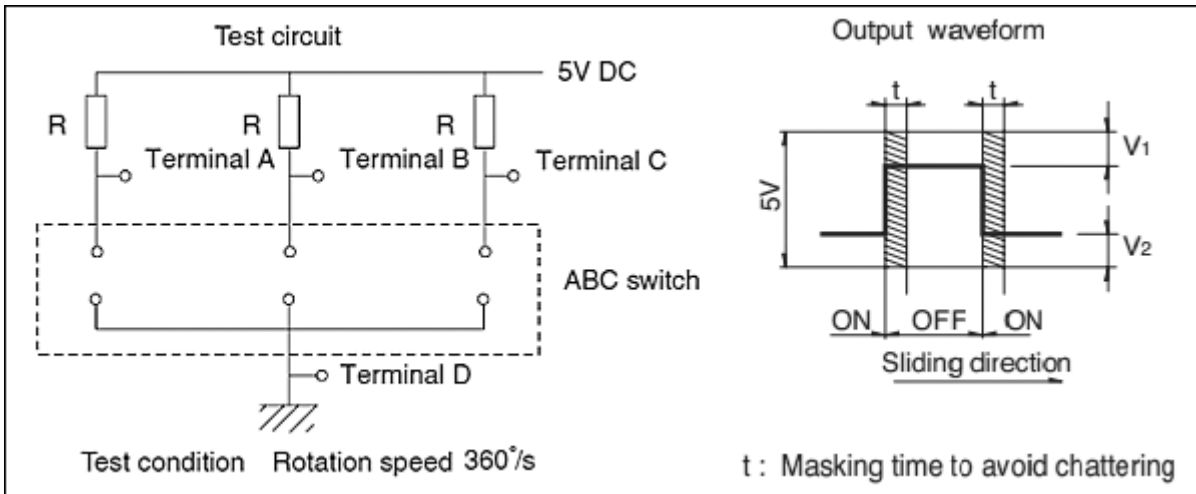


Viewed from mounting side

### Output Wave



## Sliding Noise



V<sub>1</sub>=V<sub>2</sub>=2.5V max.

At R = 5kΩ Chattering : 5ms max. Bounce : 5ms max.

## Packing Specifications

### Tray

Number of packages (pcs.)	1 case / Japan	350
	1 case / export packing	700
Export package measurements (mm)	540×360×380	

## Soldering Conditions

### Reference for Dip Soldering

Preheating	Soldering surfacetemperature	100°C max.
	Heating time	2 min. max.
Dip soldering	Soldering temperature	260±5°C
	Soldering time	5±1s
No. of solders	2 time max.	

### Reference for Hand Soldering

Tip temperature	350°C max.
Soldering time	3s max.
No. of solders	1 time

Notes are common to this series/models.

1. This site catalog shows only outline specifications. When using the products, please obtain formal specifications for supply.
2. Please place purchase orders per minimum order unit (integer).
3. This products can be used in vehicles.

Although these products are designed to perform over a wide operating temperature range, please ensure that you receive and read the formal delivery specifications before use.