

**AGM CPLD
DATASHEET**

General Description

AGM CPLD family provides low-cost instant-on, non-volatile CPLDs, with densities from 256, 272 to 576 logic LUTs and non-volatile flash storage of 256Kbits. The devices offer up to 144 I/O pins featuring with a user flash memory (UFM), and in-system programming. The devices are designed to reduce cost and power while providing programmable solutions for a wide range of applications.

Features

- Low-Cost and low-power CPLD
- Instant-on, non-volatile Compatible FPGA architecture.
- Up to 4 global clock lines in the global clock network that drive throughout the entire device.
- Provides programmable fast propagation delay and clock-to-output times.
- Provides PLL per device provide clock multiplication and phaseshifting (AG256 has no PLL).
- UFM supports non-volatile storage up to 256 Kbits.
- Supports 3.3-V, 2.5-V, 1.8-V, and 1.5-V logic level
- Programmable slew rate, drive strength, bus-hold, programmable pull-up resistors, open-drain output, Schmitt triggers and programmable input delay.
- Built-in Joint Test Action Group (JTAG) boundary-scan test (BST) circuitry compliant with IEEE Std. 1149.1-1990
- ISP circuitry compliant with IEEE Std. 1532
- 3.3-V, 2.5-V, 1.8-V, 1.5-V LVCMOS and LVTTL standards
- Emulated LVDS output (LVDS_E_3R)
- Emulated RSDS output (RSDS_E_3R)
- Operating junction temperature from -40 to 100 °C

Table 1-1 Shows AGM CPLD features

Feature	AG256	AG272	AG576
LUTs	256	272	576
UFM Size (bits)	256k	256k	256k
Maximum User I/O pins	80	80	116
Operating junction temperature	-40 to 100 °C	-40 to 100 °C	-40 to 100 °C

The AGM CPLDs are available in LQFP packages (refer to Table 1-2 AGM CPLD Packages and User I/O Pins).

Table 1-2 AGM CPLD Packages and User I/O Pins

Device	100-Pin LQFP	144-in LQFP
AGM256 / AG272	80	-
AGM576	80	116

Content

GENERAL DESCRIPTION	2
FEATURES.....	2
CONTENT	4
1. AGM ARCHITECTURE OVERVIEW	5
1.1. FUNCTIONAL DESCRIPTION	5
1.2. LOGIC ARRAY BLOCKS	5
1.3. LOGIC ELEMENT	5
1.4. FLEXTRACK INTERCONNECT	6
1.5. GLOBAL SIGNALS	6
1.6. PHASE LOCKED LOOPS (PLLs).....	6
1.7. USER FLASH MEMORY BLOCK	8
1.8. I/O PIN STRUCTURE.....	8
2. JTAG AND IN-SYSTEM PROGRAMMING.....	9
2.1. JTAG.....	9
2.2. IN-SYSTEM PROGRAMMING.....	9
3. POWER-ON RESET CIRCUITRY, ON-CHIP OSCILLATOR	10
3.1. POWER-ON RESET CIRCUITRY	10
3.2. ON-CHIP OSCILLATOR	10
4. TIMING CHARACTERISTICS	11
5. PIN-OUTS	12
6. REFERENCE AND ORDERING INFORMATION	17
6.1. SOFTWARE.....	17
6.2. ORDERING INFORMATION	17
7. REVISION HISTORY.....	17

1. AGM Architecture Overview

1.1. Functional Description

The AGM CPLD devices contain an industrial state-of-the-art two-dimensional row- and column-based architecture to implement custom logic. Column and row interconnects of various speeds provide signal interconnects between logic blocks (LBs) and I/Os.

The logic array consists of LBs, with 16 logic slices (LS) in each LB. A slice is a small unit of logic providing efficient implementation of user logic functions. LBs are grouped into rows and columns across the device. The CPLD devices' density range is up to 576 slices.

The device global clock network consists of up to 4 global clock lines that drive through the entire device. The global clock network can provide clocks for all resources within the device, such as input/output elements (IOEs), slices. The global clock lines can also be used for other high fan-out signals.

Each device I/O pin is fed by an IOE located at the ends of LB rows and columns around the periphery of the device. I/O pins support various single-ended standards. Each IOE contains a bidirectional I/O buffer.

Each device is embedded with a flash memory block. The big portion of this flash memory storage is used as dedicated configuration flash memory (CFM) block. The CFM flash memory block provides the non-volatile storage for all SRAM configuration bits. The CFM automatically downloads and configures the logic blocks and IP during power-on, providing instant-on sequence operation.

AGM CPLD device partitions 256k bits of flash memory as UFM (user flash memory) as general storage purposes. The UFM provides programmable port connections to the logic array for reading and writing.

1.2. Logic Array Blocks

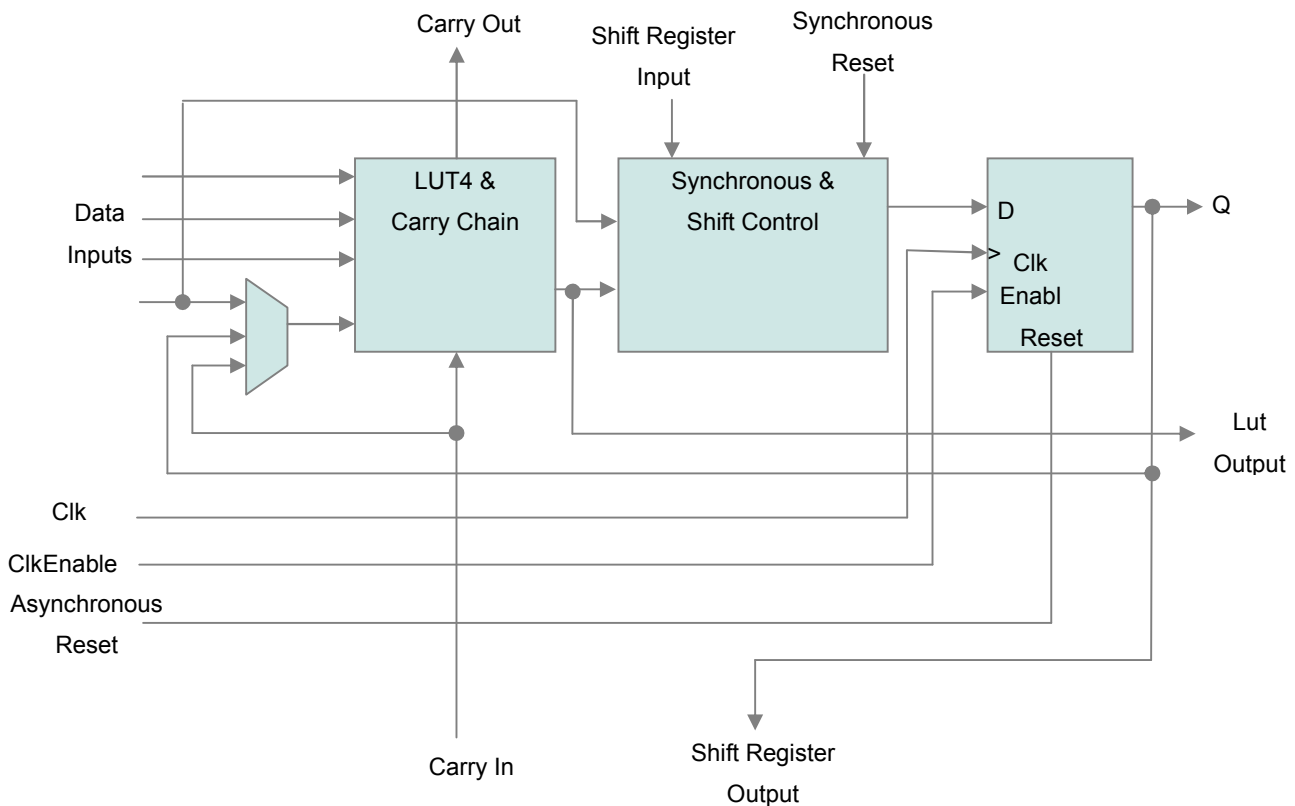
Each Logic Block consists of 16 slices, SLICE carry chains, SLICE control signals, a local interconnect, a look-up table (LUT) chain, and register chain connection lines.

1.3. Logic Element

The smallest unit of logic in AGM architecture, the slice, is compact and provides advanced and flexible features with efficient logic utilization. Each slice features:

- A four-input look-up table (LUT4), which is a function generator that can implement any combinatorial logic function of four inputs.
- A programmable register

Figure 1-1 AGM CPLD Logic SLICE



Each slice's register has data, clock, clock enable, and clear inputs.

1.4. FlexTrack Interconnect

In AGM device architecture, FlexTrack interconnect consists of continuous, performance-optimized routing lines used for inter- and intra- design block connectivity. The FlexTrack connects to LEs, the UFM, and IO pins with row and column connection that span fixed distances.

1.5. Global Signals

Each device has four dual-purpose dedicated clock pins, two pins on the left side, and two pins on the right. The four global clock lines drive throughout the entire device. The global clock network can provide clocks for all resources within the device including Les, local interconnect. The global lines can be used for global signals distribution.

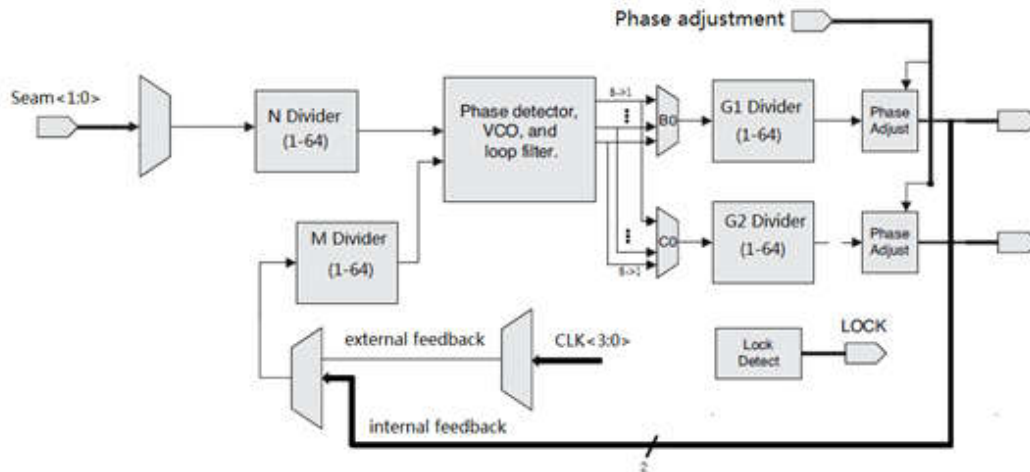
1.6. Phase Locked Loops (PLLs)

The AG272 and AG576 provide PLL support. The source of the PLL input divider can come from an external pin or from internal routing. There are four sources of feedback signals to the feedback divider: from CLKINTFB (internal feedback port), from the global clock nets, from the output of the post scalar divider, and from the routing (or from an external pin). There is a PLL_LOCK signal to indicate that the PLL has locked on to the input clock signal. Figure 1-2 shows the PLL diagram.

The setup and hold times of the device can be improved by programming a delay in the feedback or input path of the PLL which will advance or delay the output clock with reference to the input clock. This delay can be either programmed during configuration or can be adjusted dynamically. In dynamic mode, the PLL may lose lock after adjustment and not relock until the tLOCK parameter has been satisfied. Additionally, the phase and duty cycle block allows the user to adjust the phase and duty cycle of the CLKOS output.

The PLLs provide the ability to synthesize clock frequencies. Each PLL has four dividers associated with it: input clock divider, feedback divider, post scalar divider, and secondary clock divider. The input clock divider is used to divide the input clock signal, while the feedback divider is used to multiply the input clock signal. The post scalar divider allows the VCO to operate at higher frequencies than the clock output, thereby increasing the frequency range. The secondary divider is used to derive lower frequency outputs.

Figure 1-2. PLL Diagram



1.7. User Flash Memory Block

AGM CPLD device provides single UFM block for storing non-volatile information.

1.8. I/O Pin Structure

I/O supported features:

- Supports 3.3-V, 2.5-V, 1.8-V, and 1.5-V logic levels
- Programmable slew rate, drive strength, bus-hold, programmable pull-up resistors, open-drain output, Schmitt triggers input and programmable input delay.
- Built-in Joint Test Action Group (JTAG) boundary-scan test (BST) circuitry compliant with IEEE Std. 1149.1-1990
- ISP circuitry compliant with IEEE Std. 1532
- 3.3-V , 2.5-V, 1.8-V, 1.5-V LVCMOS and LVTTTL standards
- Emulated LVDS output (LVDS_E_3R)
- Emulated RSDS output (RSDS_E_3R)

2. JTAG and In-System Programming

2.1. JTAG

AGM devices provide Built-in Joint Test Action Group (JTAG) boundary-scan test (BST) circuitry compliant with IEEE Std. 1149.1-1990. The JTAG pins support 1.5V, 1.8V, or 3.3V I/O standards

2.2. In-System Programming

AGM device supports in-system programming via the industry standard 4-pin IEEE Std. 1149.1 (JTAG) interface. JTAG and ISP provide efficient iteration for design pattern written into the CFM's non-volatile flash storage.

By default, during in-system programming, the I/O pins are tri-stated and weakly pulled-up to VCCIO. AGM CPLD device also support real-time and clamp feature to allow user control of I/O state during in-system programming.

Real-time ISP allows user to program a CPLD while the device is still in operation. The newly programmed design will only take effect when the device is power cycled. This allows in-filed updates to AGM CPLD at any time without interrupting the whole system.

ISP clamp feature allow user to hold each I/O to a specific state during real-time ISP. Each I/O can be set to low, high, tri-state, or hold the state when the device enters ISP clamp mode. After the device is successfully programmed the clamped I/O pins will be released the function according to the new design.

3. Power-On Reset Circuitry, On-Chip Oscillator

3.1. Power-On Reset Circuitry

When power is applied to AGM CPLD devices, the POR circuit monitors V_{CCINT} and begins SRAM download at an approximate voltage of 1.2V AGM devices.

Entry into user mode is gated by whether V_{CCIO} bank1 are powered with sufficient operating voltage. If V_{CCINT} and V_{CCIO} are powered simultaneously, the device enters user mode.

For CPLD when in user mode, the POR circuitry continues to monitor the V_{CCINT} (but not V_{CCIO}) voltage level to detect a brown-out condition. If there is a V_{CCINT} voltage sag at or below 1.0 V during user mode, the POR circuit resets the SRAM and tri-states the I/O pins. Once V_{CCINT} rises back to approximately 1.2V, the SRAM download restarts and the device begins to operate.

3.2. On-Chip Oscillator

On-Chip oscillator is provided to support frequency to 9MHz(Min 7MHz, Max 11MHz).

4. Timing Characteristics

Table 4-1 Slice Internal Timing Parameters

Symbol	Parameter	Min	Max
T_{LUT}	SLICE Combinatorial LUT Delay	-	1.111ns
T_{CLR}	SLICE Register Clear Delay	0.032ns	-
T_{PRE}	SLICE Register Preset Delay	0.408ns	-
T_{SU}	SLICE Register Setup	0.664ns	-
T_H	SLICE Register Hold	-0.636ns	-
T_{CO}	SLICE Register Clock-To-Output Delay	-	0.455ns
T_{CLKHL}	Minimum Clock High or Low Time	0.300ns	-

Table 4-2 IOE Internal Timing Parameters

Symbol	Parameter	Min	Max
T_{IN}	I/O Input Pad and Buffer Delay	0.767ns	1.308ns
T_{DO}	Output Delay Buffer and Pad Delay	1.421ns	2.140ns
T_{XZ}	Output Buffer Disable Delay	0.867ns	1.322ns
T_{ZX}	Output Buffer Enable Delay	1.242ns	1.532ns

Table 4-3 Routing Internal Timing Parameters

Symbol	Parameter	Min	Max
T_C	Delay for a column interconnect with average loading	-	0.679ns
T_R	Delay for a row interconnect with average loading	-	0.523ns
T_{LOCAL}	Local Routing Delay	-	0.434ns

5. Pin-Outs

Refer to Pin-Outs printouts for AGM device family.

Figure 5-1 100-pin LQFP connection diagram

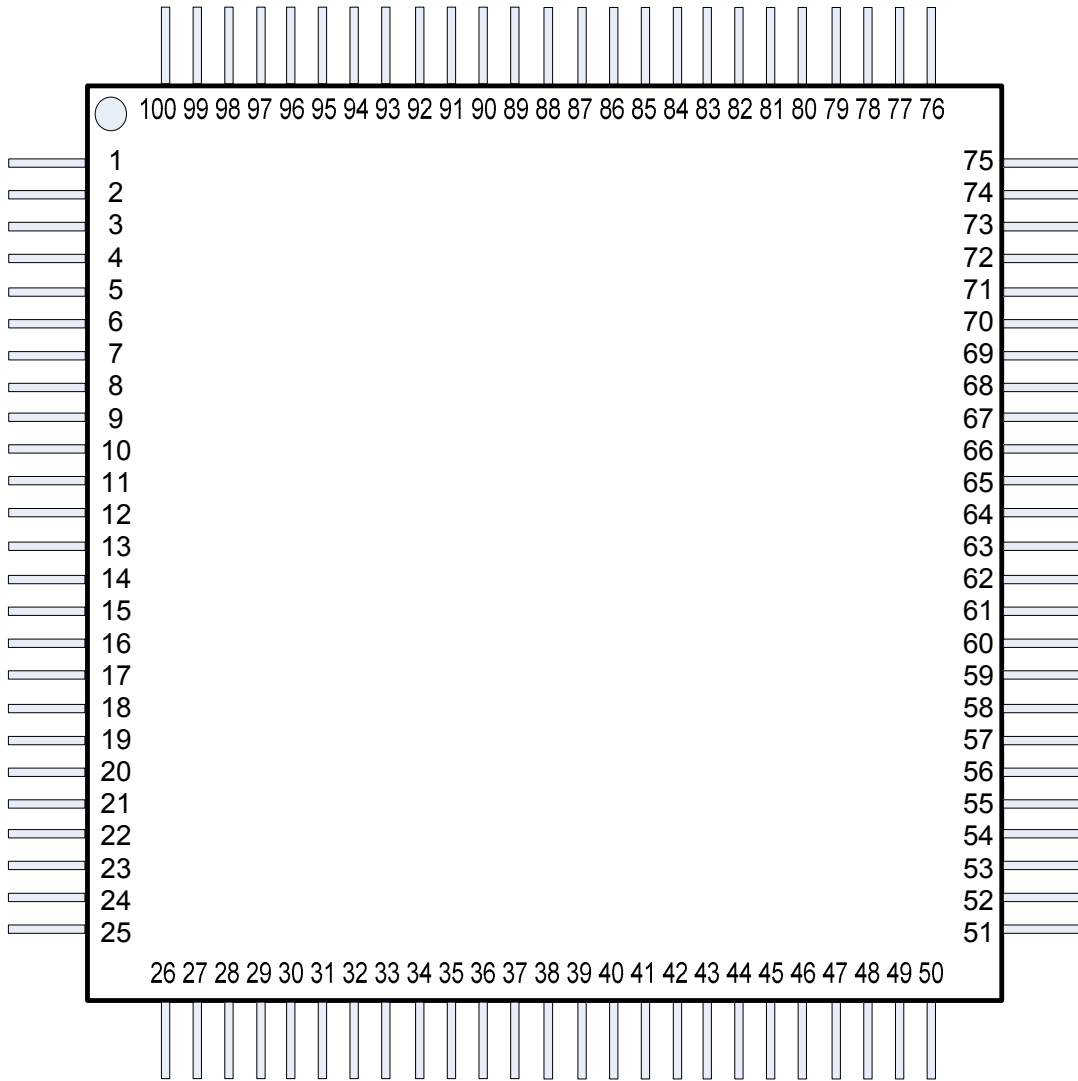


Table 5-1 AG256 / AG272 100 pin out

Bank	Pin name	Finger No.	Bank	Pin name	Finger No.	Bank	Pin name	Finger No.	Bank	Pin name	Finger No.
4	I/O	1	2	I/O	26	2	I/O	51	4	I/O	76
1	I/O	2	2	I/O	27	3	I/O	52	4	I/O	77
1	I/O	3	2	I/O	28	3	I/O	53	4	I/O	78
1	I/O	4	2	I/O	29	3	I/O	54	4	GNDIO	79
1	I/O	5	2	I/O	30	3	I/O	55	4	VDDIO2	80
1	I/O	6	2	VDDF33	31	3	I/O	56	4	I/O	81
1	I/O	7	2	GNDIO	32	3	I/O	57	4	I/O	82
1	I/O	8	2	I/O	33	3	I/O	58	4	I/O	83
1	VDDIO1	9	2	I/O	34	3	VDDIO2	59	4	I/O	84
1	GNDIO	10	2	I/O	35	3	GNDIO	60	4	I/O	85
1	GNDC	11	2	I/O	36	3	I/O	61	4	I/O	86
1	I/O	12	2	I/O	37	3	I/O	62	4	I/O	87
1	VDDC	13	2	I/O	38	3	VDDC	63	4	I/O	88
1	I/O	14	2	I/O	39	3	I/O	64	4	I/O	89
1	I/O	15	2	I/O	40	3	GNDC	65	4	I/O	90
1	I/O	16	2	I/O	41	3	I/O	66	4	I/O	91
1	I/O	17	2	I/O	42	3	I/O	67	4	I/O	92
1	I/O	18	2	I/O	43	3	I/O	68	4	GNDIO	93
1	I/O	19	2	I/O	44	3	I/O	69	4	VDDIO2	94
1	I/O	20	2	VDDIO1	45	3	I/O	70	4	I/O	95
1	I/O	21	2	GNDIO	46	3	I/O	71	4	I/O	96
1	TMS	22	2	I/O	47	3	I/O	72	4	I/O	97
1	TDI	23	2	I/O	48	3	I/O	73	4	I/O	98
1	TCK	24	2	I/O	49	3	I/O	74	4	I/O	99
1	TDO	25	2	I/O	50	3	I/O	75	4	I/O	100

Table 5-2 AG576 100 pin out

Bank	Pin name	Finger No.	Bank	Pin name	Finger No.	Bank	Pin name	Finger No.	Bank	Pin name	Finger No.
4	I/O	1	2	I/O	26	2	I/O	51	4	I/O	76
1	I/O	2	2	I/O	27	3	I/O	52	4	I/O	77
1	I/O	3	2	I/O	28	3	I/O	53	4	I/O	78
1	I/O	4	2	I/O	29	3	I/O	54	4	GNDIO	79
1	I/O	5	2	I/O	30	3	I/O	55	4	VDDIO2	80
1	I/O	6	2	VDDF33	31	3	I/O	56	4	I/O	81
1	I/O	7	2	GNDIO	32	3	I/O	57	4	I/O	82
1	I/O	8	2	I/O	33	3	I/O	58	4	I/O	83
1	VDDIO1	9	2	I/O	34	3	VDDIO2	59	4	I/O	84
1	GNDIO	10	2	I/O	35	3	GNDIO	60	4	I/O	85
1	GNDC	11	2	I/O	36	3	I/O	61	4	I/O	86
1	I/O	12	2	I/O	37	3	I/O	62	4	I/O	87
1	VDDC	13	2	I/O	38	3	VDDC	63	4	I/O	88
1	I/O	14	2	I/O	39	3	I/O	64	4	I/O	89
1	I/O	15	2	I/O	40	3	GNDC	65	4	I/O	90
1	I/O	16	2	I/O	41	3	I/O	66	4	I/O	91
1	I/O	17	2	I/O	42	3	I/O	67	4	I/O	92
1	I/O	18	2	I/O	43	3	I/O	68	4	GNDIO	93
1	I/O	19	2	I/O	44	3	I/O	69	4	VDDIO2	94
1	I/O	20	2	VDDIO1	45	3	I/O	70	4	I/O	95
1	I/O	21	2	GNDIO	46	3	I/O	71	4	I/O	96
1	TMS	22	2	I/O	47	3	I/O	72	4	I/O	97
1	TDI	23	2	I/O	48	3	I/O	73	4	I/O	98
1	TCK	24	2	I/O	49	3	I/O	74	4	I/O	99
1	TDO	25	2	I/O	50	3	I/O	75	4	I/O	100

Figure 5-2 144-pin LQFP connection diagram

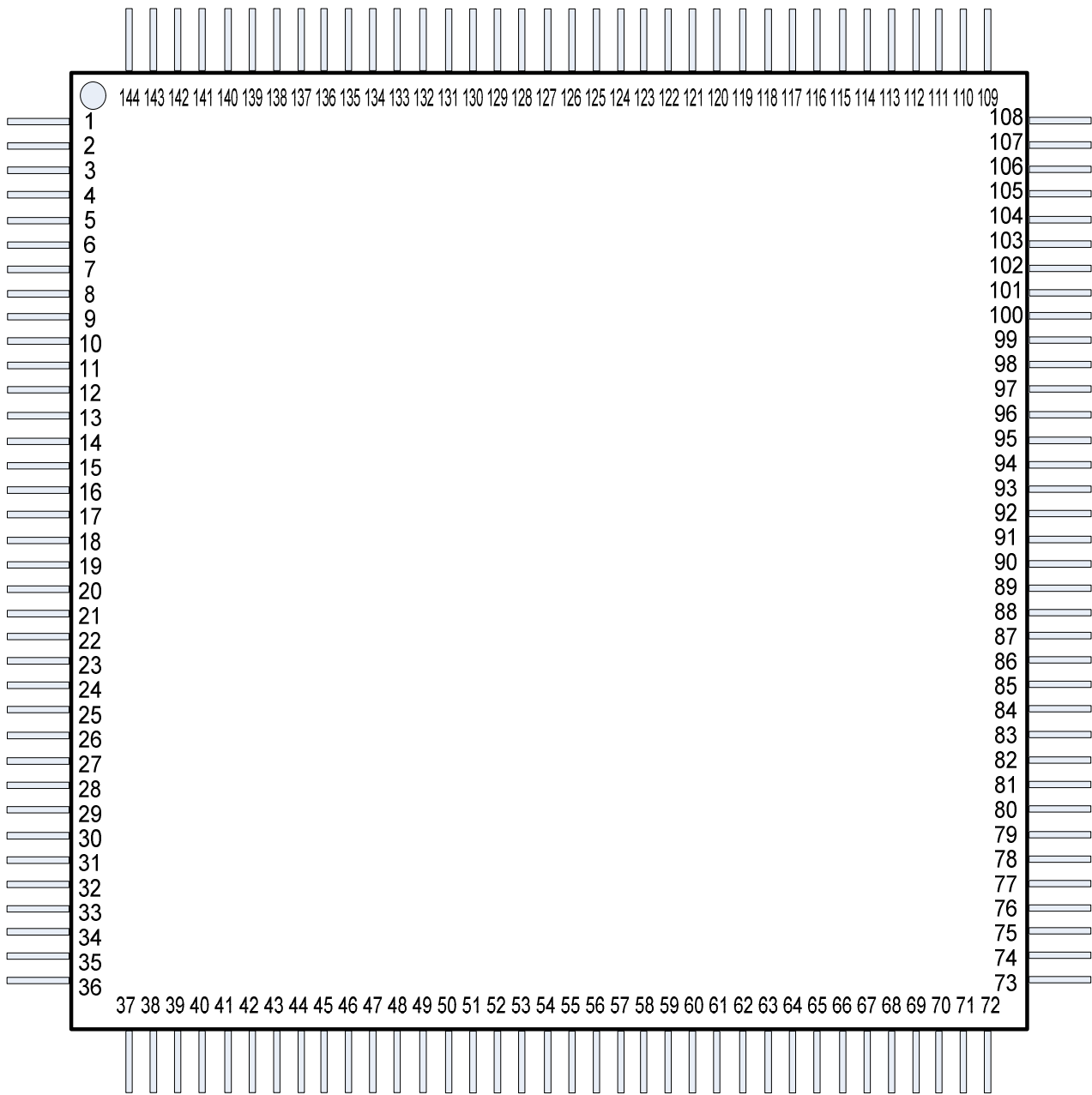


Table 5-3 AG576 144 pin out

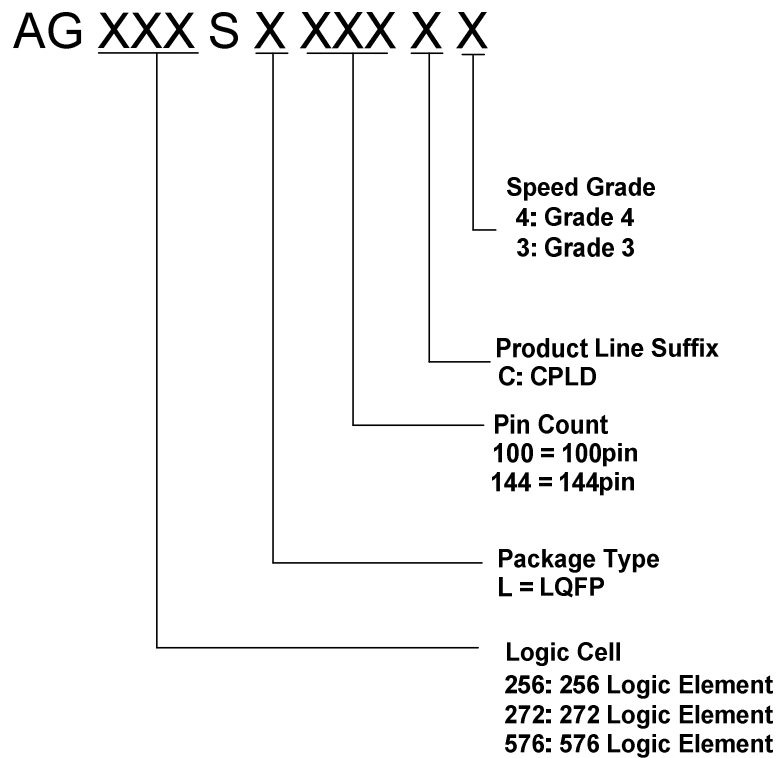
Bank	Pin name	Finger No	Bank	Pin name	Finger No	Bank	Pin name	Finger No	Bank	Pin name	Finger No
1	I/O	1	2	I/O	37	3	I/O	73	4	I/O	109
1	I/O	2	2	I/O	38	3	I/O	74	4	I/O	110
1	I/O	3	2	I/O	39	3	I/O	75	4	I/O	111
1	I/O	4	2	I/O	40	3	I/O	76	4	I/O	112
1	I/O	5	2	I/O	41	3	I/O	77	4	I/O	113
1	I/O	6	2	I/O	42	3	I/O	78	4	I/O	114
1	I/O	7	2	I/O	43	3	I/O	79	4	GNDIO	115
1	I/O	8	2	I/O	44	3	I/O	80	4	VDDIO2	116
1	VDDIO1	9	2	I/O	45	3	I/O	81	4	I/O	117
1	GNDIO	10	2	VDDF33	46	3	VDDIO2	82	4	I/O	118
1	I/O	11	2	GNDIO	47	3	GNDIO	83	4	I/O	119
1	I/O	12	2	I/O	48	3	I/O	84	4	I/O	120
1	I/O	13	2	I/O	49	3	I/O	85	4	I/O	121
1	I/O	14	2	I/O	50	3	I/O	86	4	I/O	122
1	I/O	15	2	I/O	51	3	I/O	87	4	I/O	123
1	I/O	16	2	I/O	52	3	I/O	88	4	I/O	124
1	GNDC	17	2	I/O	53	3	I/O	89	4	I/O	125
1	I/O	18	2	GNDC	54	3	VDDC	90	4	VDDC	126
1	VDDC	19	2	I/O	55	3	I/O	91	4	I/O	127
1	I/O	20	2	VDDC	56	3	GNDC	92	4	GNDC	128
1	I/O	21	2	I/O	57	3	I/O	93	4	I/O	129
1	I/O	22	2	I/O	58	3	I/O	94	4	I/O	130
1	I/O	23	2	I/O	59	3	I/O	95	4	I/O	131
1	I/O	24	2	I/O	60	3	I/O	96	4	I/O	132
1	VDDIO1	25	2	I/O	61	3	I/O	97	4	I/O	133
1	GNDIO	26	2	I/O	62	3	I/O	98	4	I/O	134
1	I/O	27	2	I/O	63	3	GNDIO	99	4	GNDIO	135
1	I/O	28	2	VDDIO1	64	3	VDDIO2	100	4	VDDIO2	136
1	I/O	29	2	GNDIO	65	3	I/O	101	4	I/O	137
1	I/O	30	2	I/O	66	3	I/O	102	4	I/O	138
1	I/O	31	2	I/O	67	3	I/O	103	4	I/O	139
1	I/O	32	2	I/O	68	3	I/O	104	4	I/O	140
1	TMS	33	2	I/O	69	3	I/O	105	4	I/O	141
1	TDI	34	2	I/O	70	3	I/O	106	4	I/O	142
1	TCK	35	2	I/O	71	3	I/O	107	4	I/O	143
1	TDO	36	2	I/O	72	3	I/O	108	4	I/O	144

6. Reference and Ordering Information

6.1. Software

AGM Software tools support from RTL to bit stream configuration implementation and programming. Supported operating system platforms include Microsoft Windows and Linux.

6.2. Ordering Information



7. REVISION HISTORY

Version No	Description	Date
1.0	Release Version 1.0	Oct.18, 2013
1.1	Add AG256 Device	Aug.18, 2017