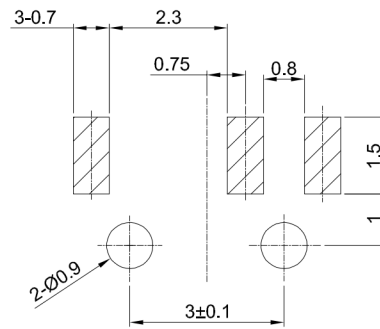
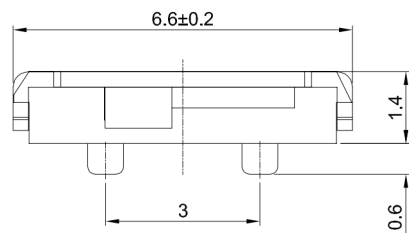


# MK-12C03-G015

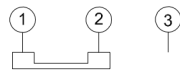
Horizontal

G-Switch P/N

**Switch Height (mm)**  
 G015=1.5mm  
 G020=2.0mm  
 G025=2.5mm



**RECOMMENDED PCB LAYOUT**  
 TOLERANCE:±0.05



**CIRCUIT DIAGRAM**

### G-Switch Specification:

1. Operating temperature range: -40°C to +85°C
2. Rating: 0.5A, 12V DC
3. Insulation resistance: 100MΩ min. 100V DC
4. Dielectric strength: 250V AC for 1 min
5. Contact resistance: 200mΩ max.
6. Contact arrangement: 1P2T
7. Travel: 1.5±0.1mm
8. Switch lifetime: 10,000 cycles
9. Operating force: 160±50gf

5	COVER	STAINLESS STEEL	
4	BUTTON	HIGH TEMPERATURE PLASTIC	BLACK
3	CONTACT	STAINLESS STEEL	Ag PLATING
2	TERMINAL	COPPER ALLOY	Ag PLATING
1	BASE	HIGH TEMPERATURE PLASTIC	BLACK
NO.	PARTS	MATERIAL	REMARKS



SCALE: 1:1 UNIT: mm  
 SIZE: A4

Unless otherwise  
 General Tolerance:  
 30<L ±0.50  
 10<L≤30 ±0.40  
 5<L≤10 ±0.30  
 L≤5 ±0.20  
 Angles ±2°

Title: Horizontal Mini Slide Switch  
 SMT 6.6×2.75×1.4mm

Molde Code: MK-12C03-G015

DRAWN	CHECKED	APPROVED	DATE
Xia	Chen	Chen	2022.11.01



REV: A0 SHEET: 1/1