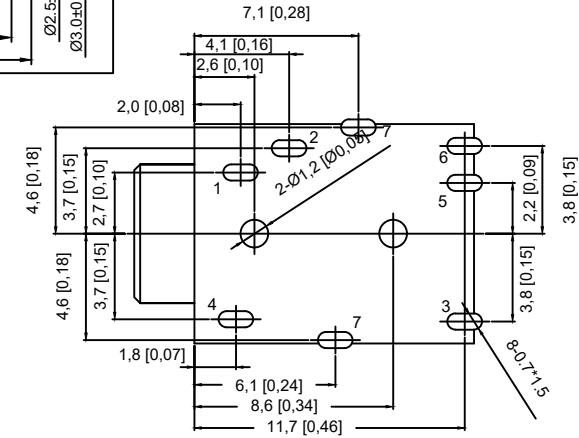
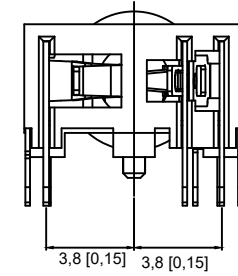
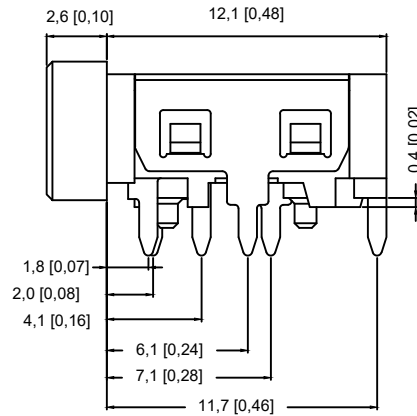
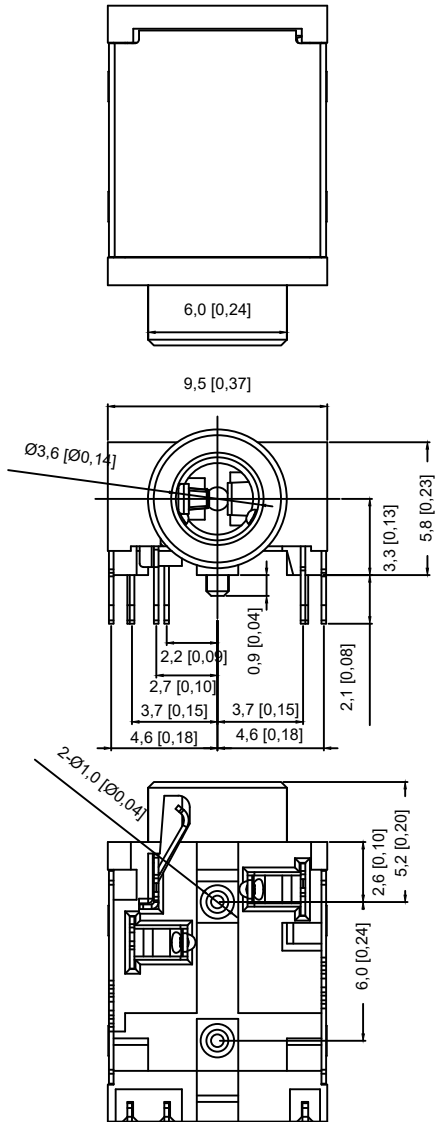
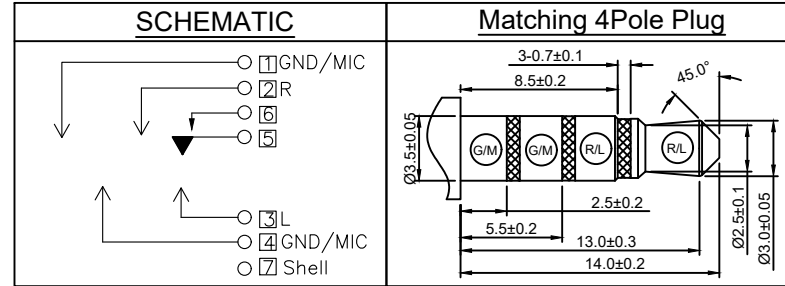
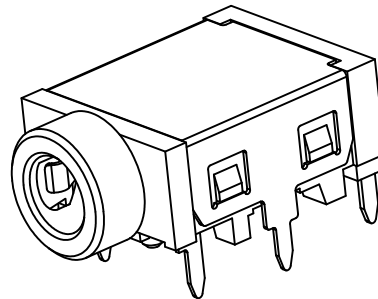


## SPECIFICATION

1. Rating : DC 30V 0.5A;
2. Contact resistance:  $\leq 30\text{m}\Omega$ ;
3. Insulation resistance:  $\geq 100\text{M}\Omega$  (DC250V);
4. Withstand voltage: 500VAC ;
5. Insertion and extraction force: 3-30N;
6. life test: 5,000 cycles.



P.C.B LAYOUT TOP VIEW



9	HOUSING	1	PA9T	Black
8	INSULATOR	1	PA9T	Black
7	SHELL	1	SUS301 T=0.20mm	NI-Plating
6	TERMINAL-6	1	COPPER ALLOY T=0.20mm	GOLD FLASH ALL. OVER Ni40U"
5	TERMINAL-5	1	COPPER ALLOY T=0.20mm	
4	TERMINAL-4	1	COPPER ALLOY T=0.20mm	
3	TERMINAL-3	1	COPPER ALLOY T=0.25mm	
2	TERMINAL-2	1	COPPER ALLOY T=0.20mm	
1	TERMINAL-1	1	COPPER ALLOY T=0.20mm	
NO.	DESCRIPTION	QTY	MATERIAL	PLATING

MARK	DESCRIPTION	DATE	REVISED	APPROVED	ANGLAR	±5°	DSND	DATE	SCALE: N/A	MODEL TYPE: 3.5 PHONE JACK		
ΔX					X.X	±0.2mm	DWN	DATE	VIEW:	PART NO.:		
ΔX					X.XX	±0.1mm	CHKD	DATE	UNIT: mm/in	DWG NO.:		
ΔX					X.XXX	±0.05mm	APPD	DATE	SIZE: A4	<b>PJ-3401</b>		
							UNSPECIFIED TOLERANCES			<b>XKB INDUSTRIAL PRECISION CO., LIMITED</b>		
										WEIGHT 1.0g	SHEET 1/1	REVISION A0