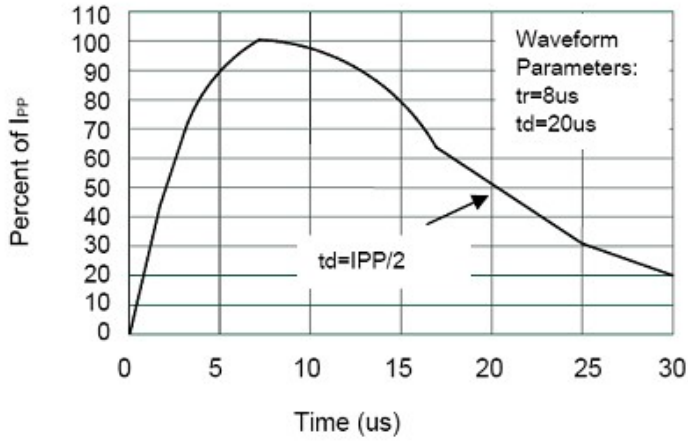


Electrical Characteristics (T_A=25°C unless otherwise specified)

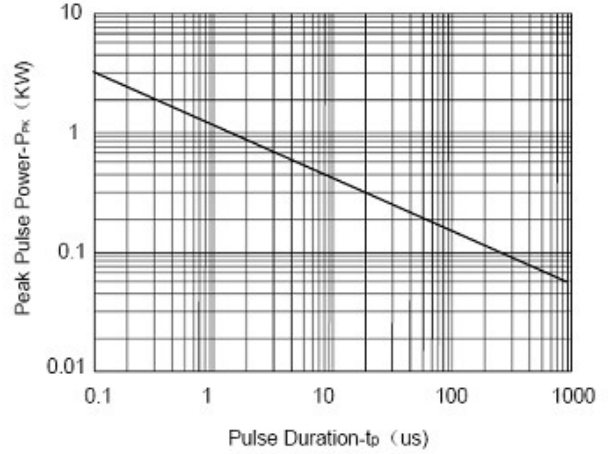
Symbol	Param	Test Condition	Min	Typ	Max	Units
V _{RWM}	Reverse Working Voltage	Pin 1,2,to Pin3			24	V
V _{BR}	Reverse Breakdown Voltage	I _T = 1mA Pin 1,2,to Pin3	26		32	V
I _R	Reverse Leakage Current	V _{RWM} = 24V Pin 1,2,to Pin3			1.0	μA
V _C	Clamping Voltage	I _{PP} = 1A, t _p = 8/20μs Pin 1,2,to Pin3			36	V
		I _{PP} = 3A, t _p = 8/20μs Pin 1,2,to Pin3			50	V
C _J	Junction Capacitance	V _R = 0V, f = 1MHz Pin 1,2,to Pin3		13	17	pF

The above data are for reference only.

ELECTRICAL CHARACTERISTICS CURVE



Pulse Waveform

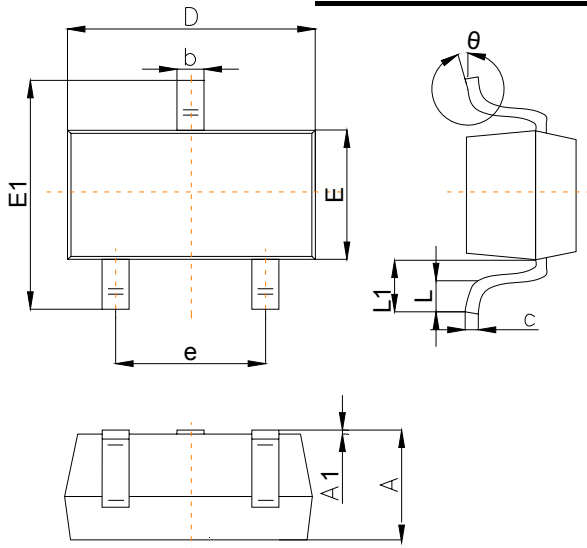


Non-Repetitive Peak Pulse Power vs. Pulse Time

The above data are for reference only.

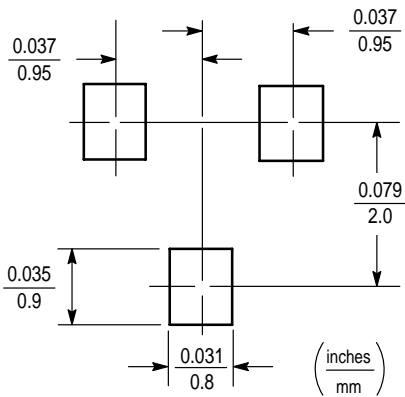
Outline Drawing

SOT-23 Package Outline Dimensions



Symbol	Dimensions In Millimeters		
	Min	Typ	Max
A	0.89	1.00	1.40
A1	0.01	0.06	0.10
b	0.37	0.44	0.50
c	0.09	0.13	0.20
D	2.80	2.90	3.10
E	1.20	1.30	1.60
E1	2.10	2.40	2.80
e	1.78	1.90	2.04
L	0.10		0.30
L1	0.35	0.54	0.69
θ	0°		10°

Suggested Pad Layout

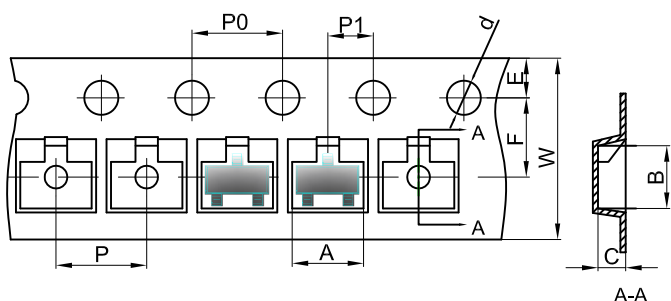


Note:

1. Controlling dimension: in/millimeters.
2. General tolerance: ± 0.05 mm.
3. The pad layout is for reference purposes only.

SOT-23 Tape and Reel

SOT-23 Embossed Carrier Tape

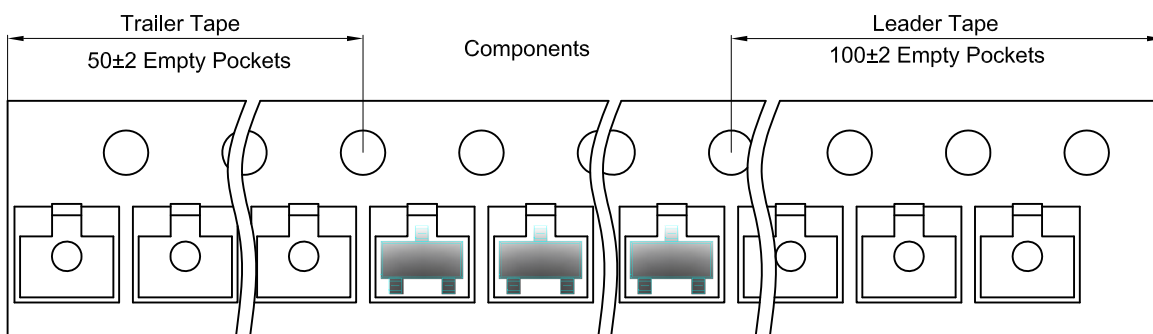


Packaging Description:

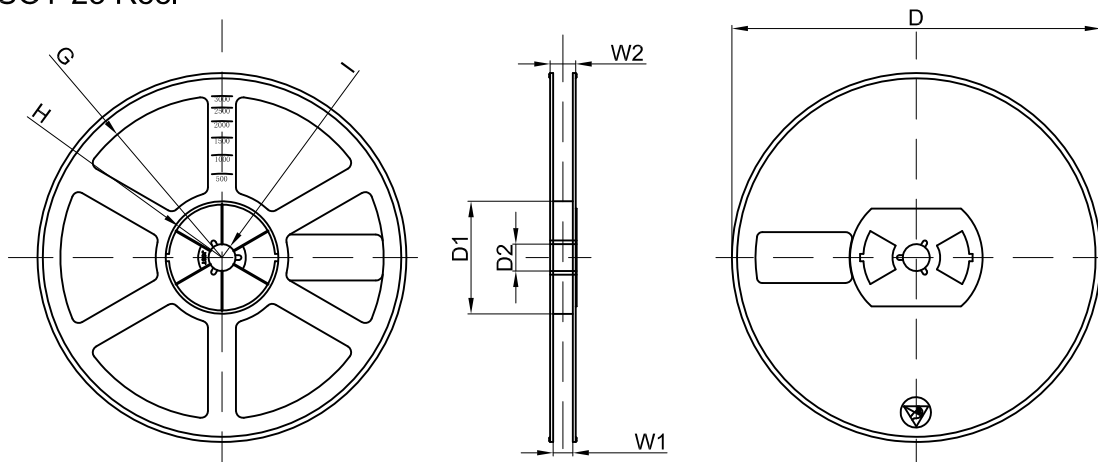
SOT-23 parts are shipped in tape. The carrier tape is made from a dissipative (carbon filled) polycarbonate resin. The cover tape is a multilayer film (Heat Activated Adhesive in nature) primarily composed of polyester film, adhesive layer, sealant, and anti-static sprayed agent. These reeled parts in standard option are shipped with 3,000 units per 7" or 17.8cm diameter reel. The reels are clear in color and is made of polystyrene plastic (anti-static coated).

Dimensions are in millimeter										
Pkg type	A	B	C	d	E	F	P0	P	P1	W
SOT-23	3.15	2.77	1.22	Ø1.50	1.75	3.50	4.00	4.00	2.00	8.00

SOT-23 Tape Leader and Trailer



SOT-23 Reel



Dimensions are in millimeter								
Reel Option	D	D1	D2	G	H	I	W1	W2
7" Dia	Ø178.00	54.40	13.00	R78.00	R25.60	R6.50	9.50	12.30

REEL	Reel Size	Box	Box Size(mm)	Carton	Carton Size(mm)	G.W.(kg)
3000 pcs	7 Inch	45,000 pcs	203×203×195	180,000 pcs	438×438×220	