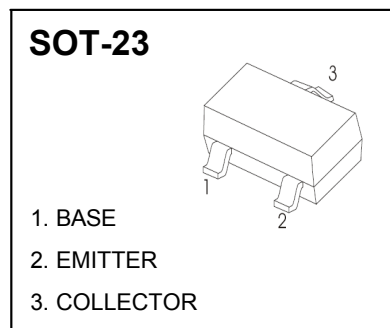


SOT-23 Plastic-Encapsulate Transistors

2SC1815 TRANSISTOR (NPN)

FEATURES

- Power dissipation
- MARKING:2SC1815=HF



MAXIMUM RATINGS ($T_a=25^{\circ}\text{C}$ unless otherwise noted)

Symbol	Parameter	Value	Unit
V_{CBO}	Collector to Base Voltage	60	V
V_{CEO}	Collector to Emitter Voltage	50	V
V_{EBO}	Emitter to Base Voltage	5	V
I_{C}	Collector Current	150	mA
P_{C}	Power Dissipation	200	mW
T_{j}	Junction Temperature	150	$^{\circ}\text{C}$
T_{stg}	Storage Temperature	-55~+150	$^{\circ}\text{C}$

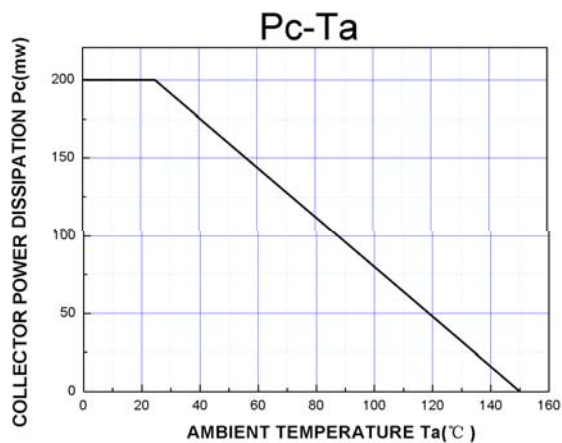
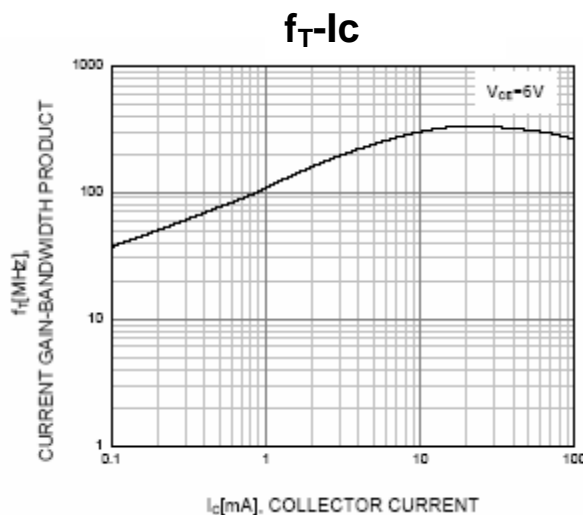
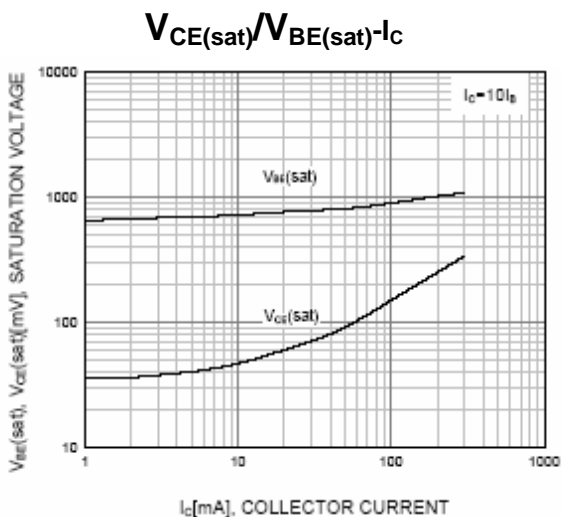
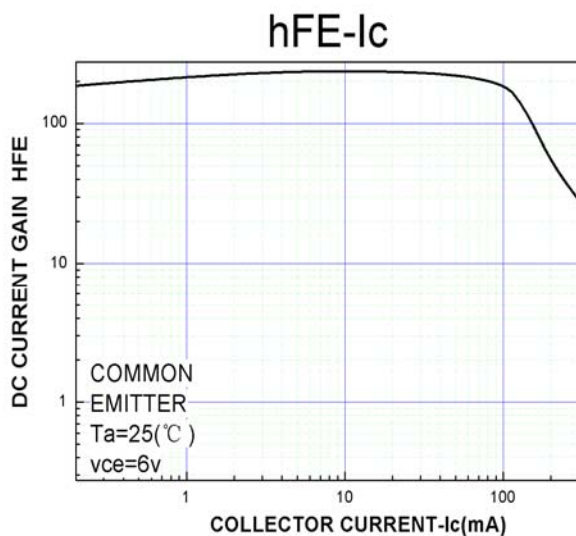
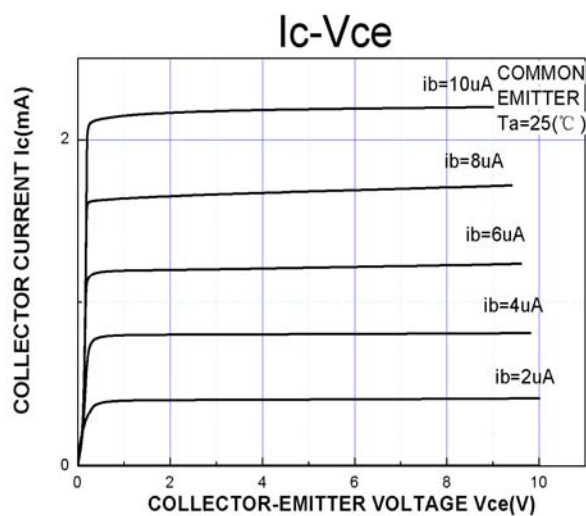
ELECTRICAL CHARACTERISTICS ($T_a=25^{\circ}\text{C}$ unless otherwise specified)

Parameter	Symbol	Test conditions	Min	Typ	Max	Unit
Collector-base breakdown voltage	$V_{(\text{BR})\text{CBO}}$	$I_{\text{C}}=100\mu\text{A}, I_{\text{E}}=0$	60			V
Collector-emitter breakdown voltage	$V_{(\text{BR})\text{CEO}}$	$I_{\text{C}}=0.1\text{mA}, I_{\text{B}}=0$	50			V
Collector cut-off current	I_{CBO}	$V_{\text{CB}}=60\text{V}, I_{\text{E}}=0$			0.1	μA
Collector cut-off current	I_{CEO}	$V_{\text{CE}}=50\text{V}, I_{\text{B}}=0$			0.1	μA
Emitter cut-off current	I_{EBO}	$V_{\text{EB}}=5\text{V}, I_{\text{C}}=0$			0.1	μA
DC current gain	h_{FE}	$V_{\text{CE}}=6\text{V}, I_{\text{C}}=2\text{mA}$	130		400	
Collector-emitter saturation voltage	$V_{\text{CE}(\text{sat})}$	$I_{\text{C}}=100\text{mA}, I_{\text{B}}=10\text{mA}$			0.25	V
Base-emitter saturation voltage	$V_{\text{BE}(\text{sat})}$	$I_{\text{C}}=100\text{mA}, I_{\text{B}}=10\text{mA}$			1	V
Transition frequency	f_{T}	$V_{\text{CE}}=10\text{V}, I_{\text{C}}=1\text{mA}, f=30\text{MHz}$	80			MHz

CLASSIFICATION OF h_{FE}

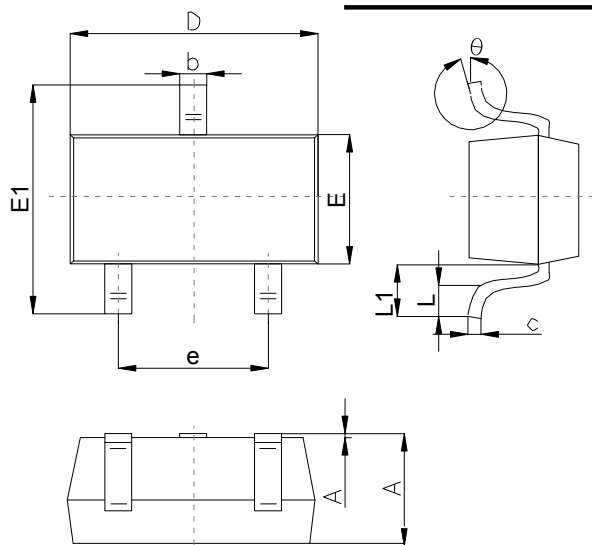
Rank	L	H
Range	130-200	200-400

Typical Characteristics



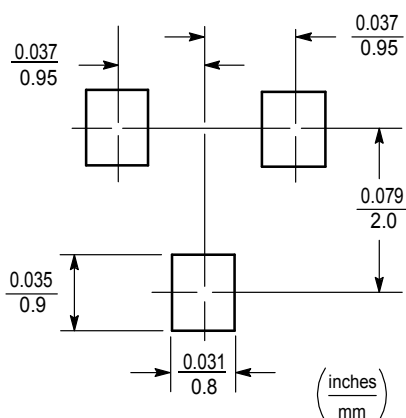
Outlitne Drawing

SOT-23 Package Outline Dimensions



Symbol	Dimensions In Millimeters		
	Min	Typ	Max
A	0.90		1.40
A1	0.00		0.10
b	0.30		0.50
c	0.08		0.20
D	2.80	2.90	3.10
E	1.20		1.60
E1	2.25		2.80
e	1.80	1.90	2.00
L	0.10		0.50
L1	0.4		0.55
θ	0°		10°

Suggested Pad Layout

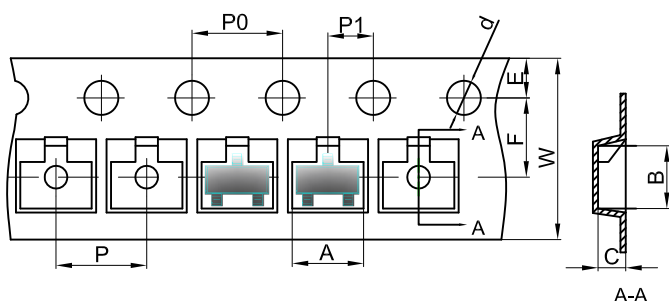


Note:

1. Controlling dimension:in/millimeters.
2. General tolerance: $\pm 0.05\text{mm}$.
3. The pad layout is for reference purposes only.

SOT-23 Tape and Reel

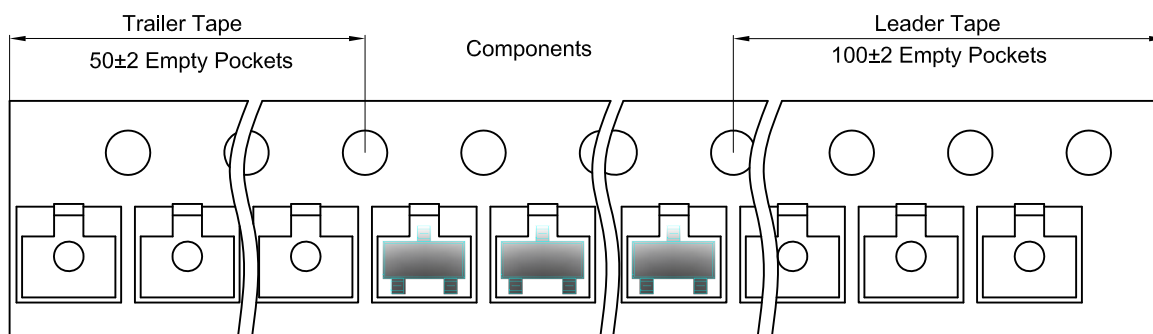
SOT-23 Embossed Carrier Tape


Packaging Description:

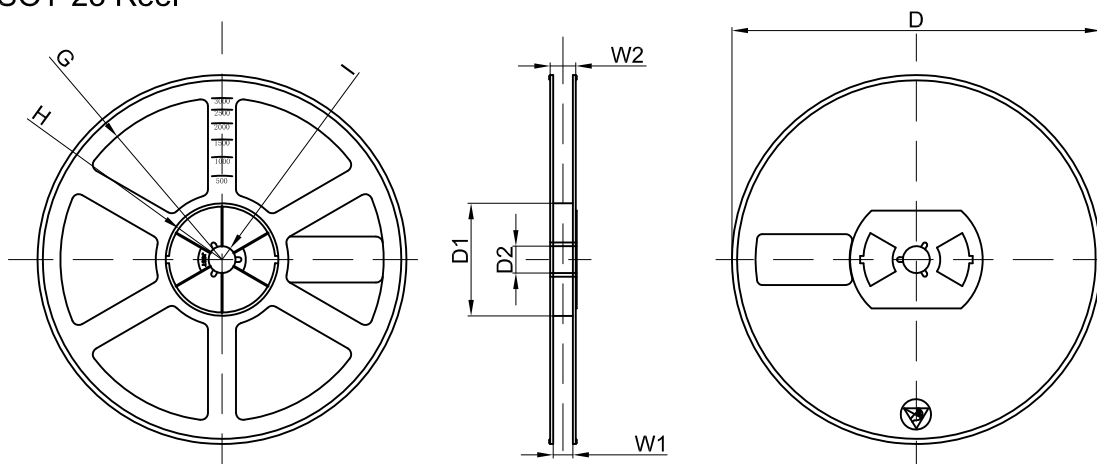
SOT-23 parts are shipped in tape. The carrier tape is made from a dissipative (carbon filled) polycarbonate resin. The cover tape is a multilayer film (Heat Activated Adhesive in nature) primarily composed of polyester film, adhesive layer, sealant, and anti-static sprayed agent. These reeled parts in standard option are shipped with 3,000 units per 7" or 17.8cm diameter reel. The reels are clear in color and is made of polystyrene plastic (anti-static coated).

Dimensions are in millimeter										
Pkg type	A	B	C	d	E	F	P0	P	P1	W
SOT-23	3.15	2.77	1.22	Ø1.50	1.75	3.50	4.00	4.00	2.00	8.00

SOT-23 Tape Leader and Trailer



SOT-23 Reel



Dimensions are in millimeter								
Reel Option	D	D1	D2	G	H	I	W1	W2
7" Dia	Ø178.00	54.40	13.00	R78.00	R25.60	R6.50	9.50	12.30

REEL	Reel Size	Box	Box Size(mm)	Carton	Carton Size(mm)	G.W.(kg)
3000 pcs	7 Inch	45,000 pcs	203×203×195	180,000 pcs	438×438×220	