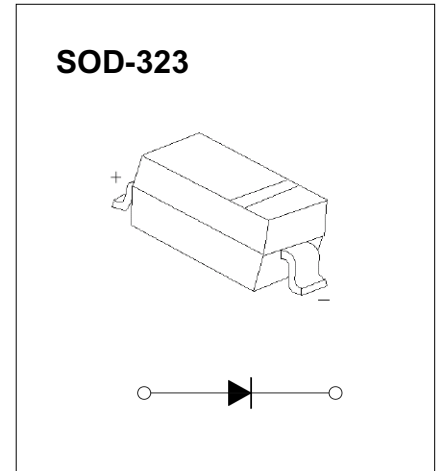


■ Features

- High Current Capability
- Low Forward Voltage Drop
- For use in low voltage, high frequency inverters
- Free wheeling, and polarity protection applications

■ Mechanical Data

- package:SOD-323
- Polarity: Color band denotes cathode end
- Mounting Position: Any



■ Ordering Information

Part Number	Package	Marking	Packing	Quantity per reel	Reel Size
NSR0320MW2T1G	SOD-323	SJ	Tape & Reel	3000 PCS	7 inches

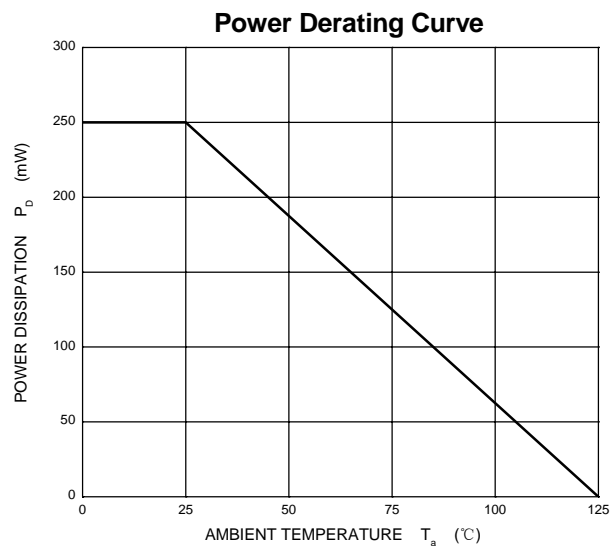
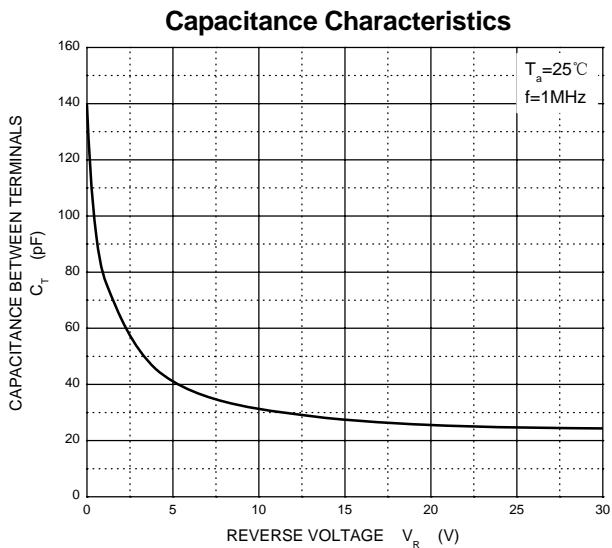
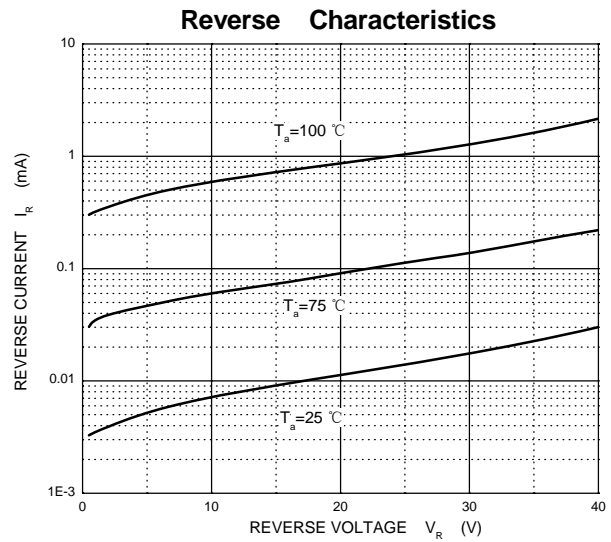
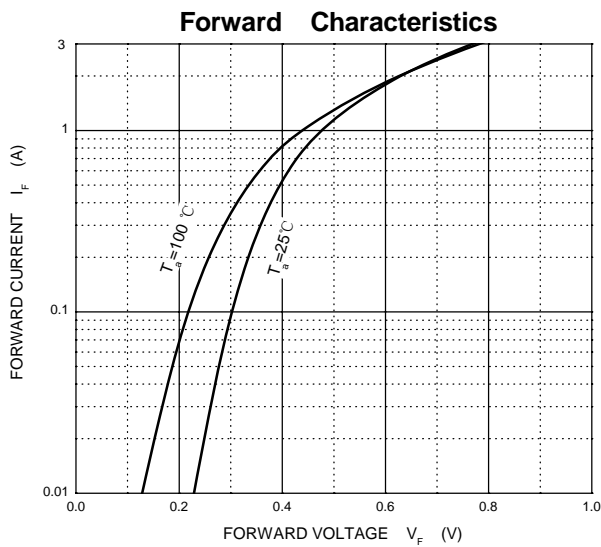
■ Maximum Ratings & Thermal Characteristics(Ratings at 25 °C ambient temperature unless otherwise specified.)

Parameters	Symbol	NSR0320MW2T1G	Unit
Maximum repetitive peak reverse voltage	VRRM	20	V
Maximum RMS voltage	VRMS	14	V
Maximum DC blocking voltage	VDC	20	V
Maximum average forward rectified current	IFM	1	A
Peak forward surge current 8.3ms single half sine-wave	IFSM	9	A
Power Dissipation	PD	400	mW
Typical thermal resistance	R θ JA	250	°C/W
Operating junction temperature	T _J	125	°C
Storage temperature range	TSTG	-50-+150	°C

■ **Electrical Characteristics**(Ratings at 25 °C ambient temperature unless otherwise specified)

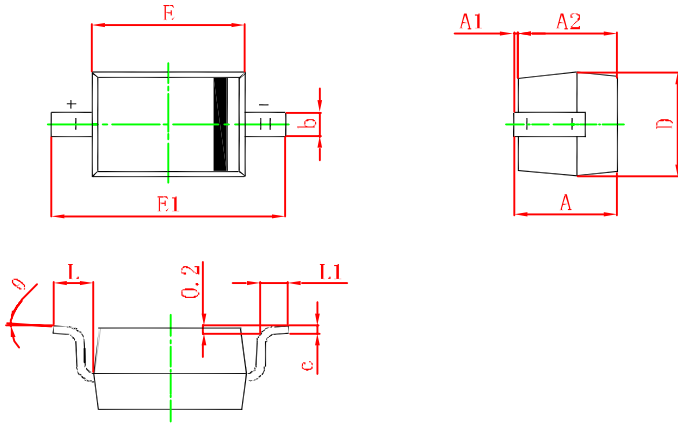
Parameters	Symbol	Test conditions	NSR0320MW2T1G	Unit
Maximum forward voltage	V _F	I _F = 1.0A I _F = 3.0A	0.450 0.750	V
Maximum reverse breakdown voltage	V _R	I _R =1mA	20	V
Maximum reverse current	I _R	V _R =30V NSR0320MW2T1G	1.0	mA
Type junction capacitance	C _j	V _R = 4.0V, f = 1MHz	120	pF

Typical Characteristics





■ SOD-323 Package Outline Dimensions



Symbol	Min	Max.(mm)
A		1.000
A1	0.000	0.100
A2	0.800	0.900
b	0.250	0.350
c	0.080	0.150
D	1.200	1.400
E	1.600	1.800
E1	2.500	2.700
L	0.475REF	
L1	0.250	0.400
θ	0°	8°