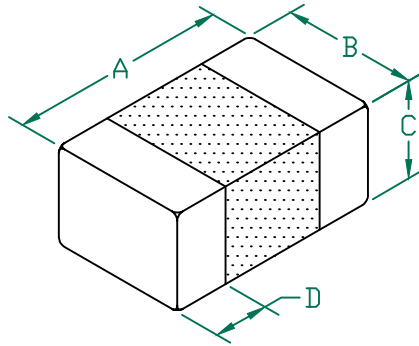


HZ0805B272R-10

PHYSICAL DIMENSIONS:

A	2.00 [.079]	+ 0.20 [.008]
B	1.25 [0.049]	+ 0.20 [.008]
C	1.25 [.049]	+ 0.20 [.008]
D	0.51 [.020]	+ 0.25 [.010]



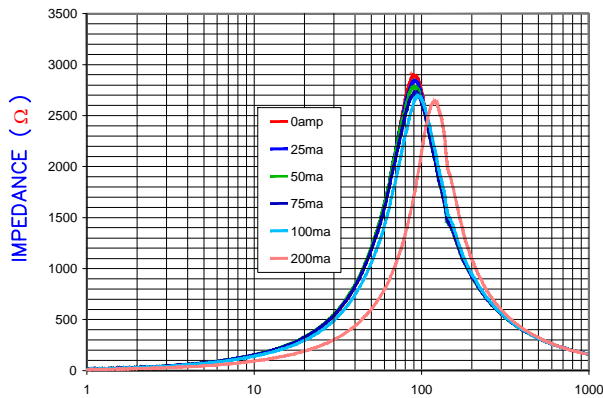
ELECTRICAL CHARACTERISTICS:

Z @ 100MHz (Ω)	DCR (Ω)	Rated Current
Nominal	2700	
Minimum	2025	
Maximum	3375	0.8
		200 mA

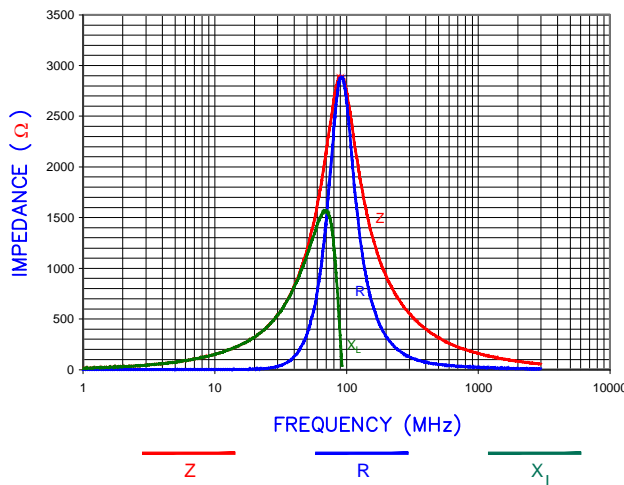
NOTES: UNLESS OTHERWISE SPECIFIED

1. TAPED AND REELED per CURRENT EIA SPECIFICATIONS 7" REELS, 2,000 PCS/REEL, PLASTIC TAPE
2. COMPONENTS SHOULD BE ADEQUATELY PREHEATED BEFORE SOLDERING.
3. TERMINATION FINISH 100% TIN.
4. OPERATING TEMP. RANGE: -40°C~+125°C (INCLUDING SELF-HEATING)

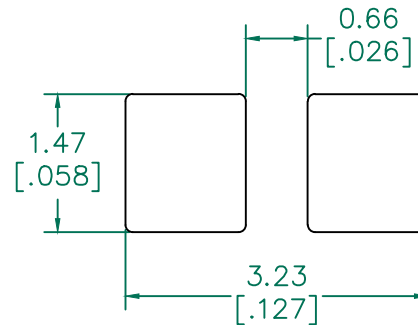
Z vs FREQUENCY
IMPEDANCE UNDER DC BIAS



FREQUENCY (MHz)
|Z|, R, AND X vs. FREQUENCY

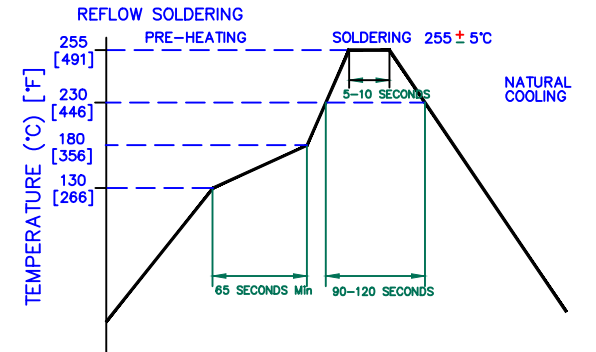


LAND PATTERNS FOR REFLOW SOLDERING



(For wave soldering, add 0.763 [.030] to this dimension.)

RECOMMENDED SOLDERING CONDITIONS



DIMENSIONS ARE IN mm [INCHES].

This print is the property of Laird Tech. and is loaned in confidence subject to return upon request and with the understanding that no copies shall be made without the written consent of Laird Tech. All rights to design or invention are reserved.



E	ADD OPERATING TEMPERATURE UPDATE LAIRD LOGO AND REFLOW CURVE	08/05/13	QU	PROJECT/PART NUMBER: HZ0805B272R-10	REV	PART TYPE:	DRAWN BY:
D	UPDATE COMPANY LOGO ADD ROHS SYMBOL	03/19/08	JRK		E	CO-FIRE	JRK
C	REVISE DIMENSION C	02/16/06	JRK		DATE:	SCALE:	SHEET:
B	CORRECT TYPO ERROR ON DIMS B	11/30/05	JRK		04/16/04	NTS	
A	ORIGINAL DRAFT	04/16/04	JRK		CAD #	TOOL #	
REV	DESCRIPTION	DATE	INT	HZ0805B272R-10-E			2 of 2

