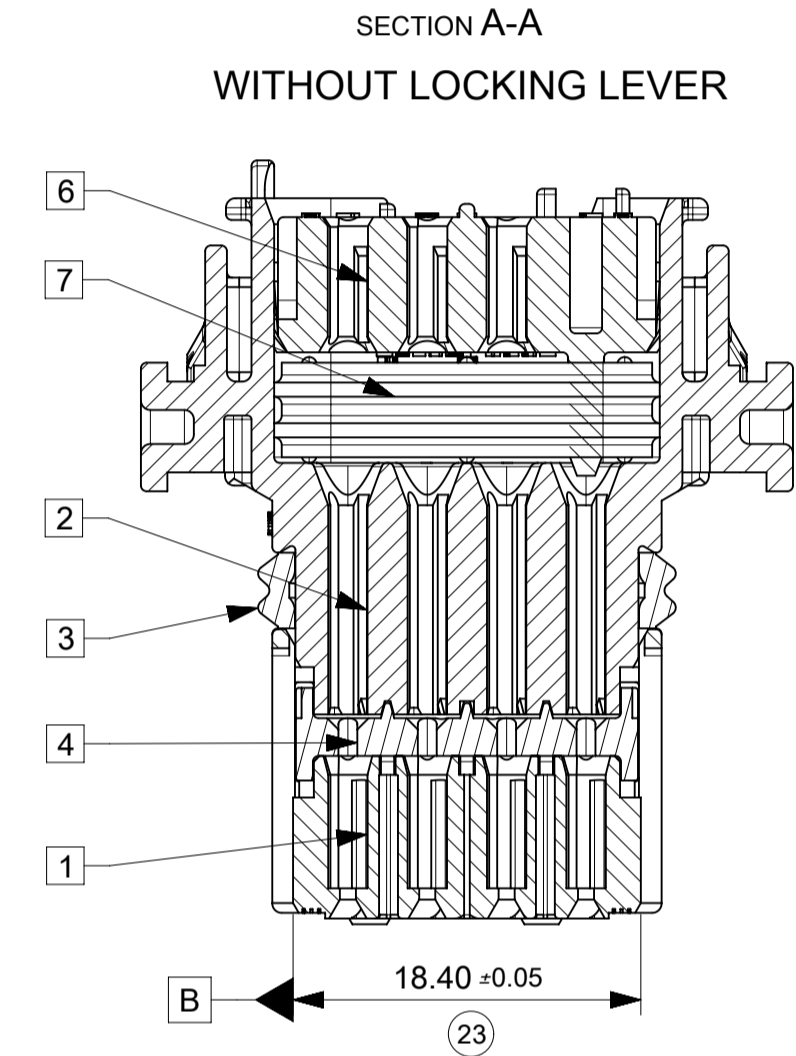
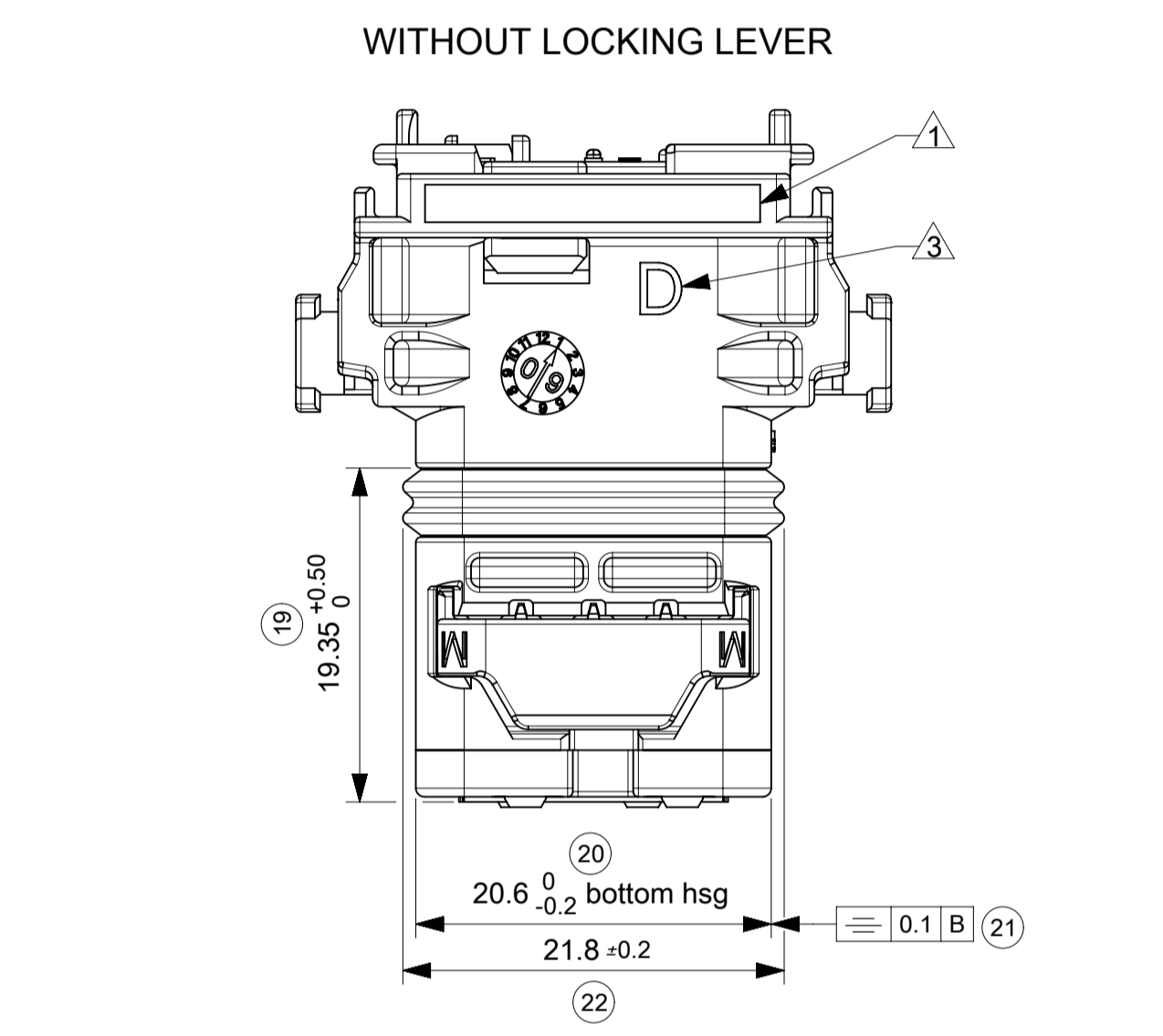
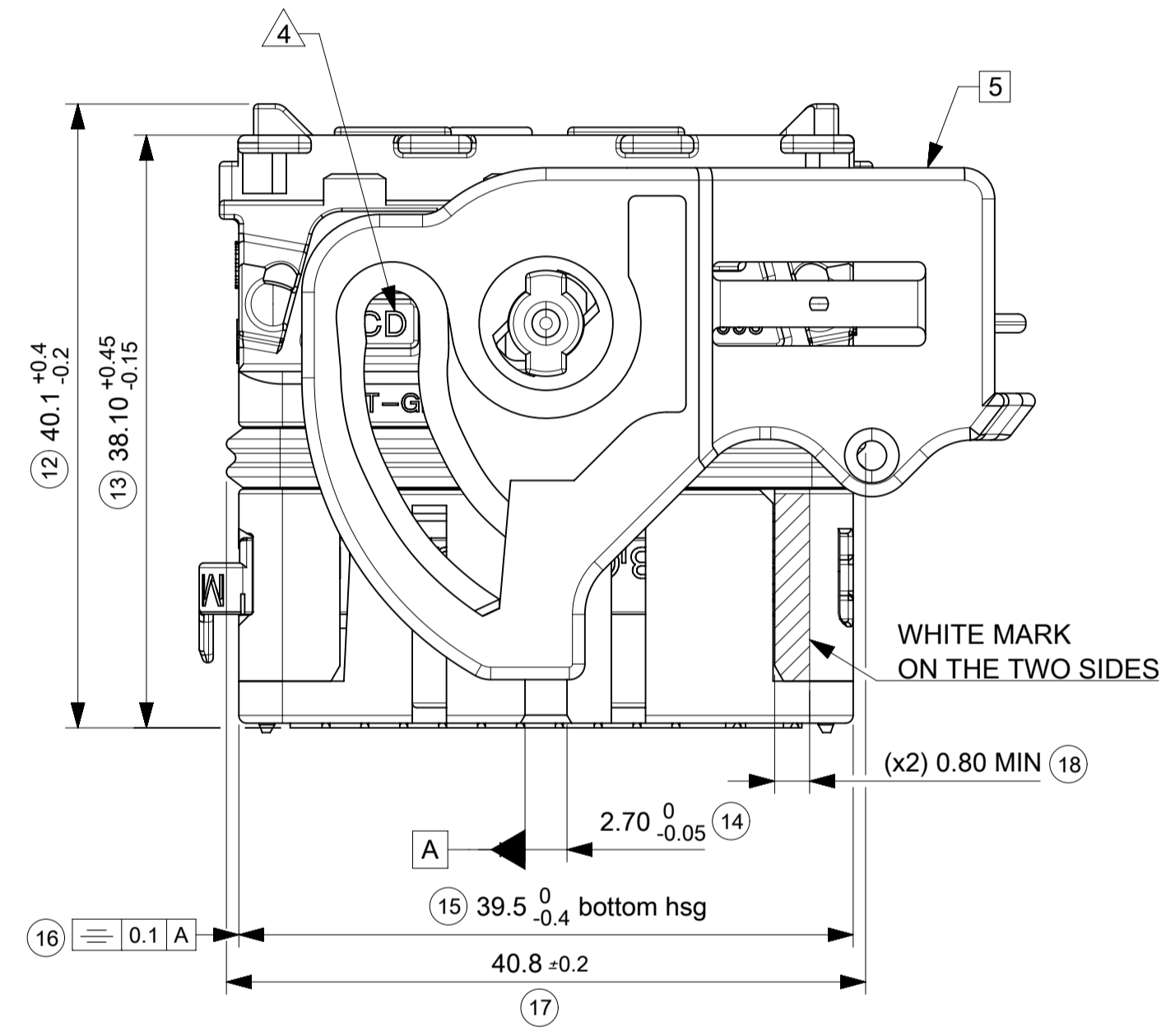
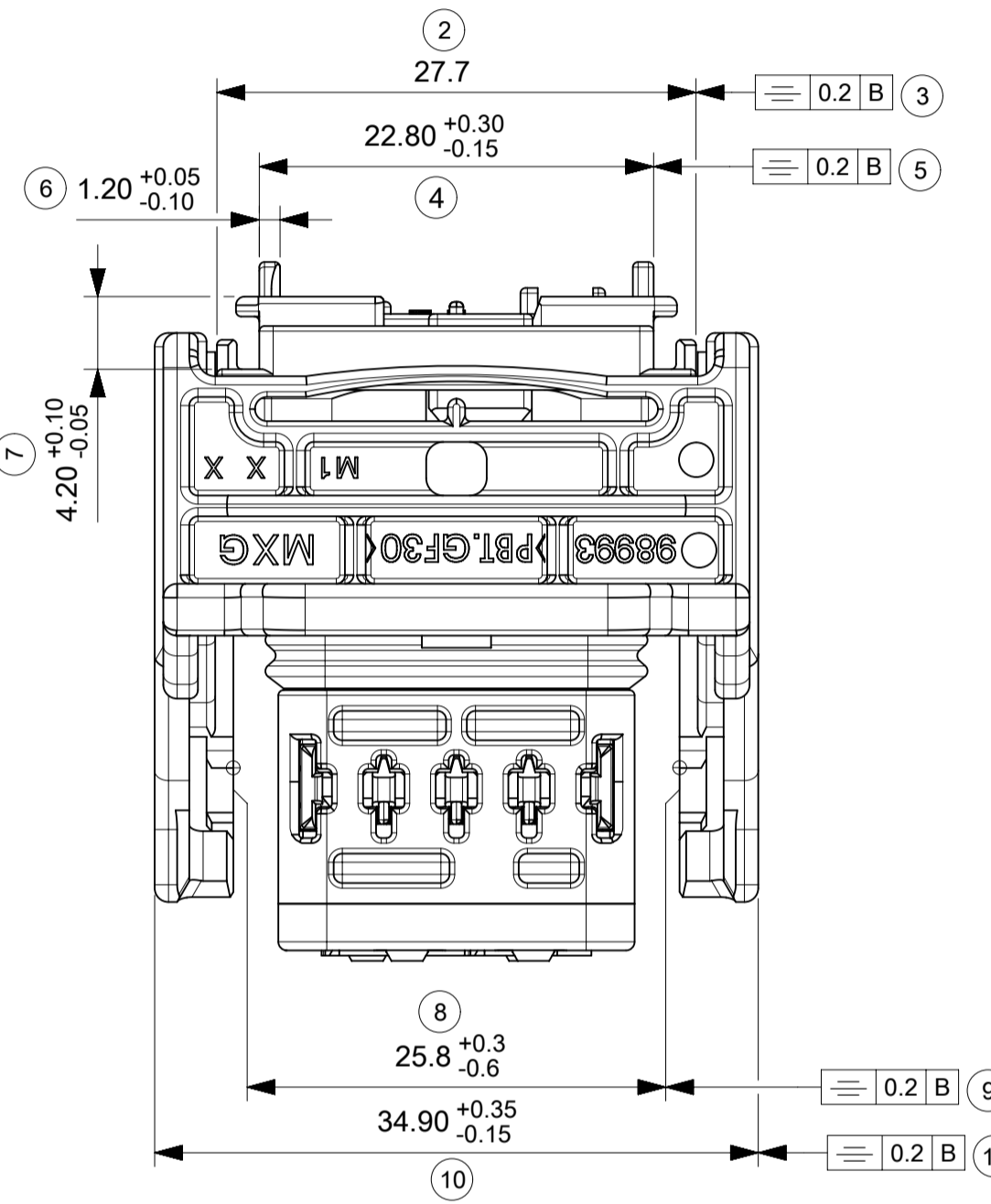
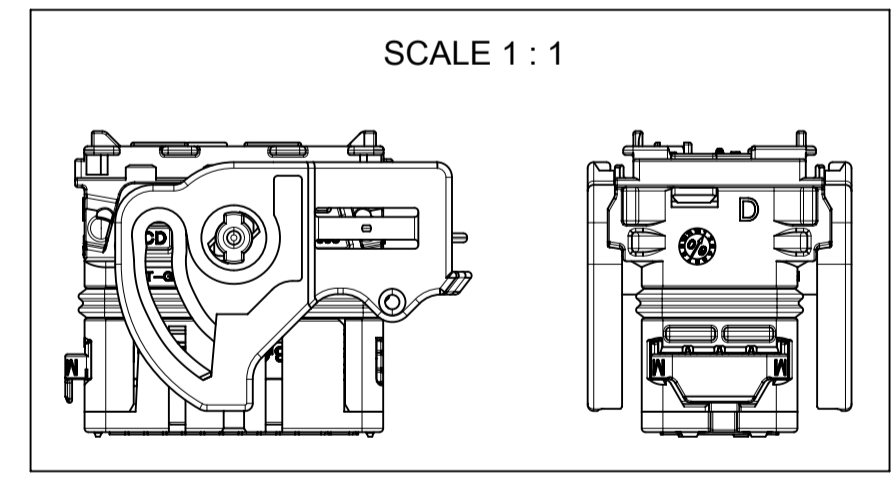
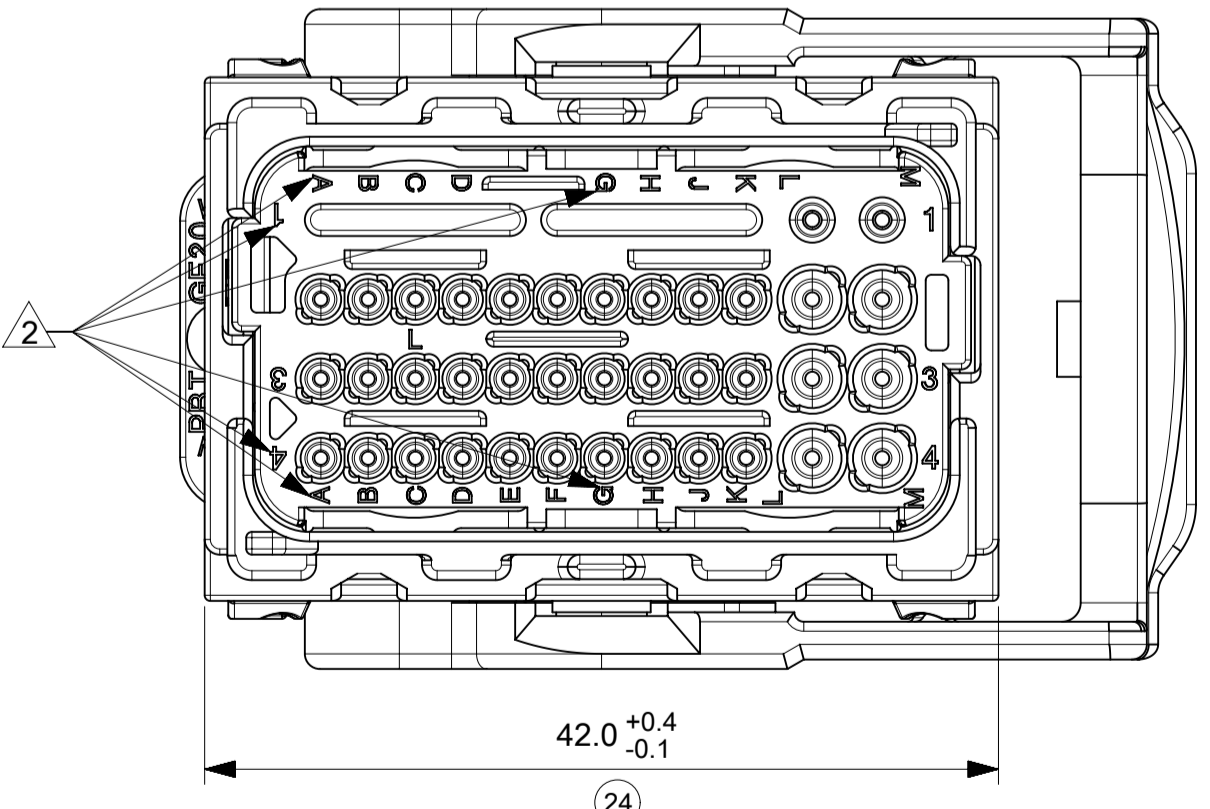


LEFT WIRE OUTPUT	
MATERIAL NUMBER	COLOR
0643202311	BLACK
N/A	GREY
0643202319	BROWN
N/A	GREEN



RIGHT WIRE OUTPUT	
MATERIAL NUMBER	COLOR
0643204311	BLACK
N/A	GREY
0643204319	BROWN
N/A	GREEN



- NOTES:
- FOR ILLUSTRATION PURPOSE THE FEMALE HOUSING SHOWN IS THE RIGHT WIRE OUTPUT VERSION CODING 1
  - APPLICATION SPECIFICATION: AS-64319-002
  - WIRES EXTERNAL DIAMETER USED:  
FOR CP0.6 TERMINAL: USE WIRES WITH AN EXTERNAL DIAMETER BETWEEN  $\varnothing 1.25\text{MM}$  MIN AND  $\varnothing 1.90\text{MM}$  MAX  
FOR CP1.5 TERMINAL: USE WIRES WITH AN EXTERNAL DIAMETER BETWEEN  $\varnothing 1.40\text{MM}$  MIN AND  $\varnothing 2.80\text{MM}$  MAX
  - THE CONNECTOR FITS WITH WIRE CAP (48 WAY) MOLEX P/N 0643201301
  - BLIND PLUG FOR 0.6 AND 1.5 CAVITIES (MOLEX P/N 0643251010 AND 0643251023) MUST BE USED ON THIS PART
  - DELIVERED PRODUCT WEIGHT: 36.1 g

REF.	DESIGNATION	MATERIAL	COLOR
7	MAT SEAL	Silicon	RED
6	BACK GRID 36W	>PBT-GF20<	YELLOW
5	LOCKING LEVER 48W	>PBT-GF30<	BLACK
4	SECONDARY LOCK	>PBT-GF20<	GREY
3	PERIPHERAL SEAL 48W	Silicon	RED
2	BACK PART	>PBT-GF20<	BLACK
1	FRONT PART	>PBT-GF20<	COLOR LINKED TO KEYING

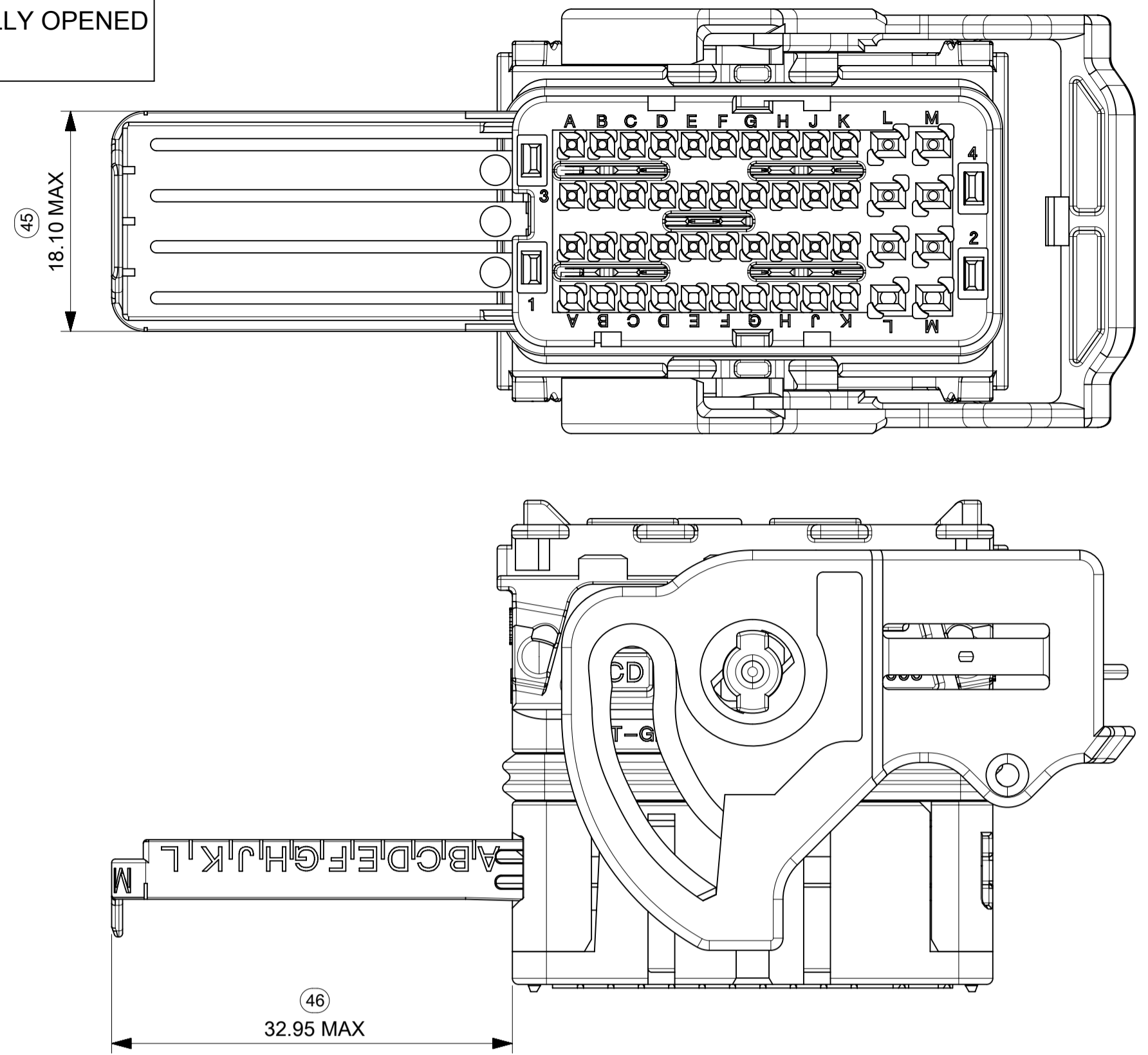
MARKINGS:

- Assembled part tracability: Year + Day
- Terminal cavities identification
- Lever position indicator: "D" LETTER VISIBLE = "RIGHT WIRE OUTPUT" "G" LETTER VISIBLE = "LEFT WIRE OUTPUT"
- Supplier identification
- Material identification

THIS DRAWING CONTAINS INFORMATION THAT IS PROPRIETARY TO MOLEX ELECTRONIC TECHNOLOGIES, LLC AND SHOULD NOT BE USED WITHOUT WRITTEN PERMISSION		CURRENT REV DESC: NX RE-MASTERING			
DIMENSION UNITS	SCALE	EC NO: 627963			
mm	2.5:1	DRWN: PBOSQUAIN 2019/11/06		CMC CONNECTOR 36 WAY MAT SEAL VERSION	
GENERAL TOLERANCES (UNLESS SPECIFIED)		CHK'D: CBOUCHAN 2020/01/22			
ANGULAR TOL	± 2.0°	APPR: SLAFAURE 2020/01/23		PRODUCT CUSTOMER DRAWING	
4 PLACES	±	INITIAL REVISION:		DOCUMENT NUMBER	
3 PLACES	±	DRWN: PBOSQUAIN 2019/11/06		643200003	
2 PLACES	± 0.1	APPR: SLAFAURE 2020/01/23		DOC TYPE   DOC PART   REVISION	
1 PLACE	± 0.1	SERIES		PSD   000   A	
0 PLACES	±	DRAWING		MATERIAL NUMBER   CUSTOMER	
DRAFT WHERE APPLICABLE MUST REMAIN WITHIN DIMENSIONS		FIRST ANGLE PROJECTION	A1-SIZE	64320	SEE TABLE   GENERAL MARKET
					SHEET NUMBER
					1 OF 2

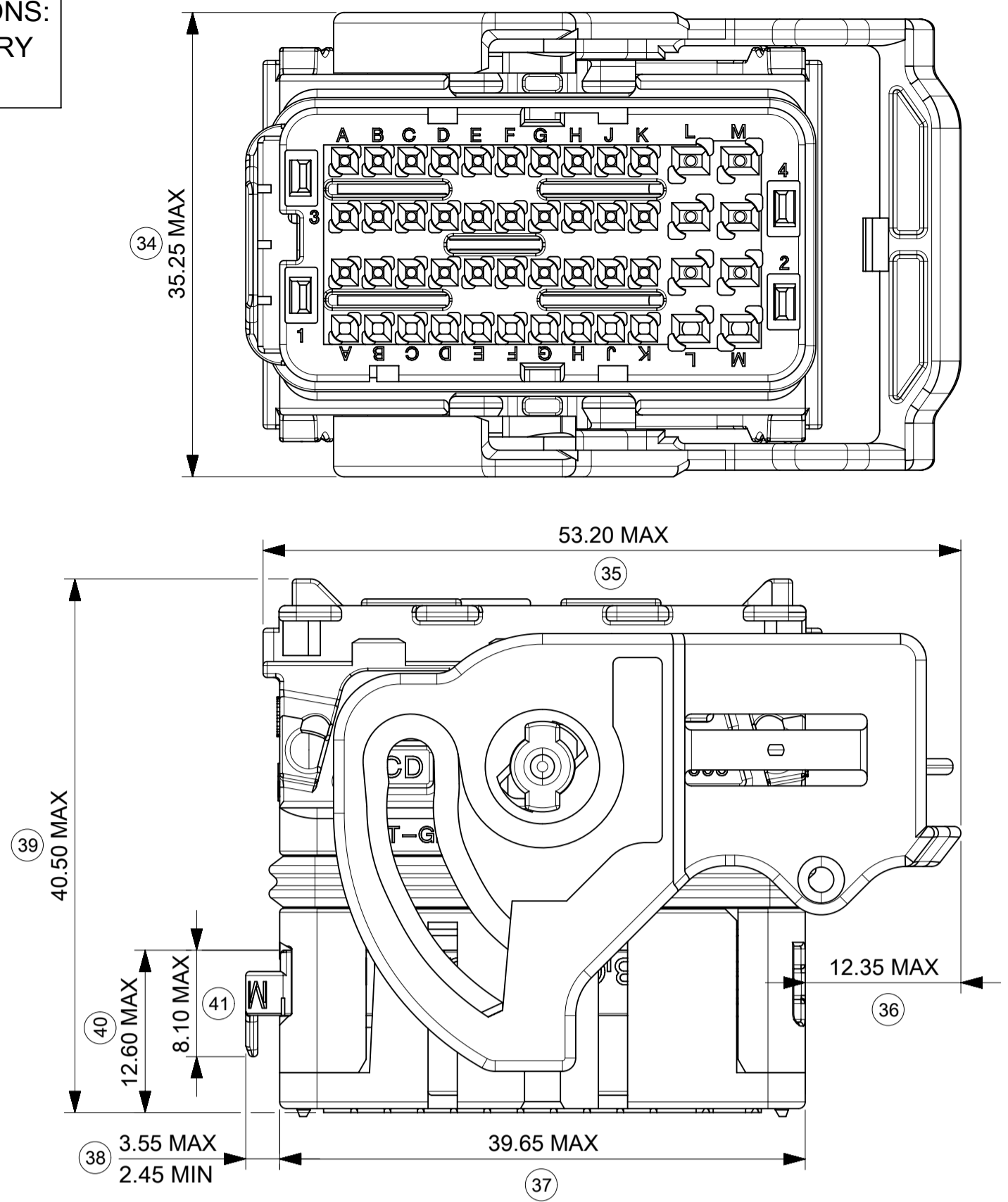
CONNECTOR OVERALL DIMENSIONS:  
SECONDARY LOCKING FULLY OPENED  
FOR TERMINAL INSERTION

RIGHT WIRE OUTPUT

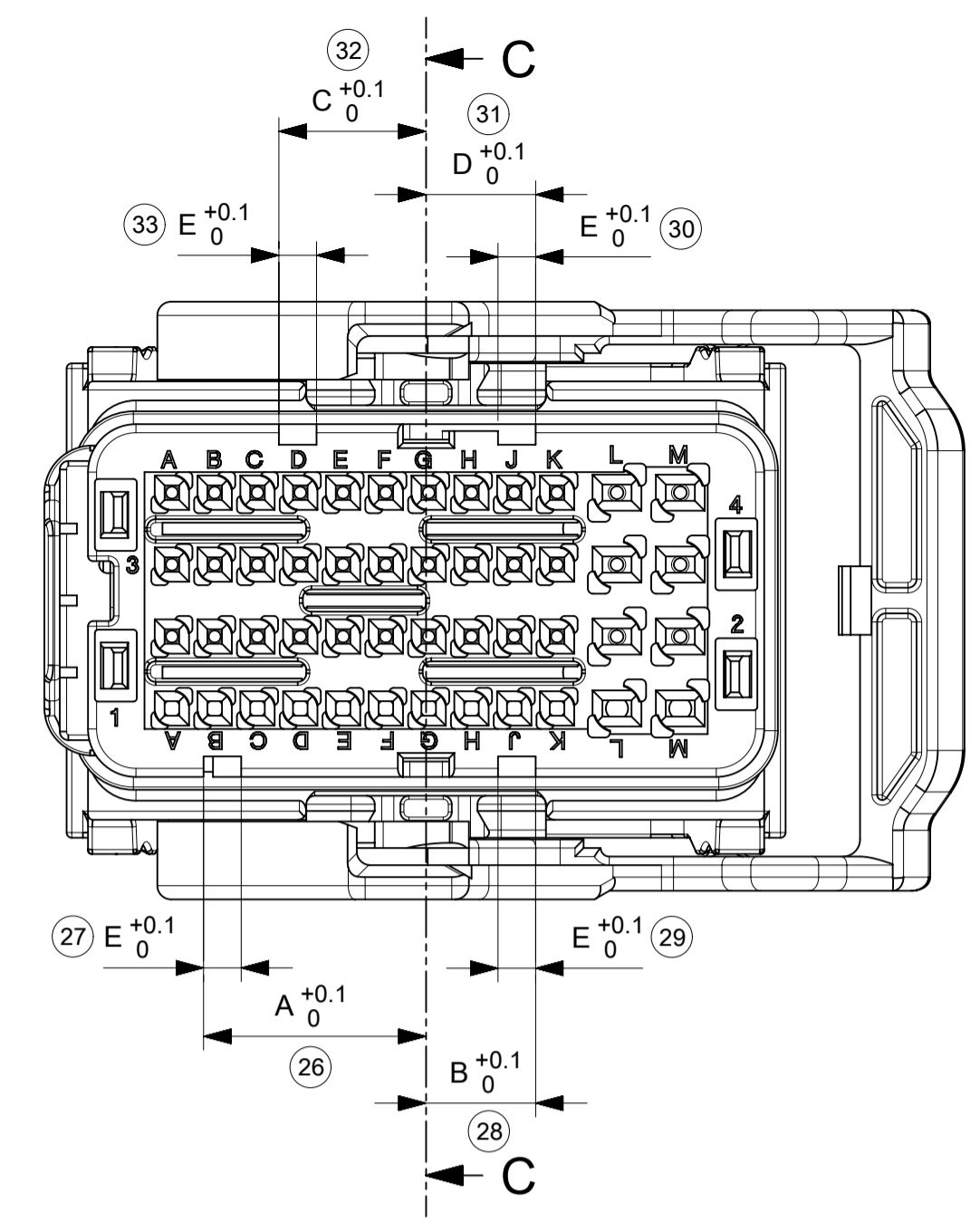


CONNECTOR OVERALL DIMENSIONS:  
SECONDARY LOCKING IN DELIVERY  
POSITION

RIGHT WIRE OUTPUT

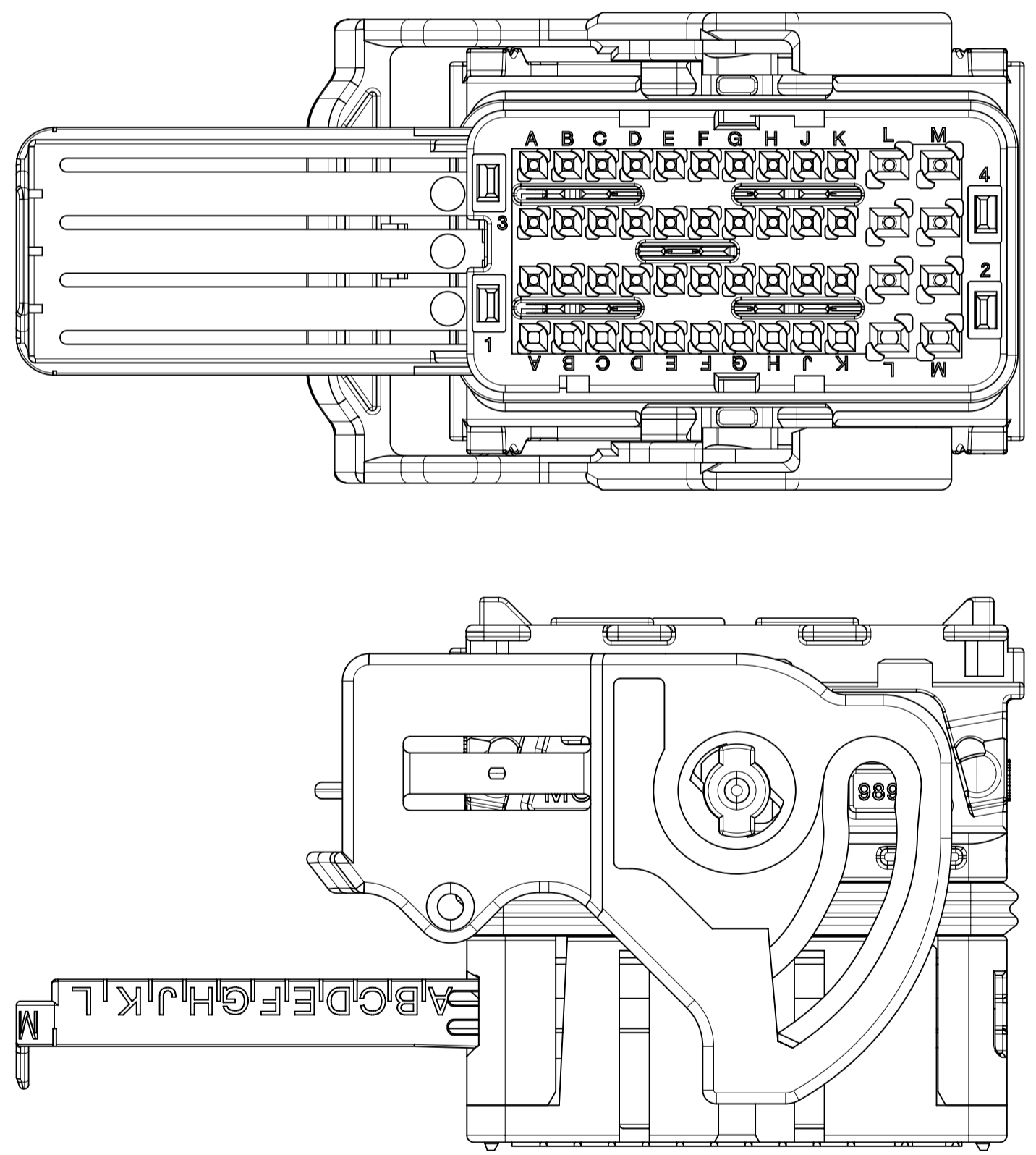


CODING POSITION



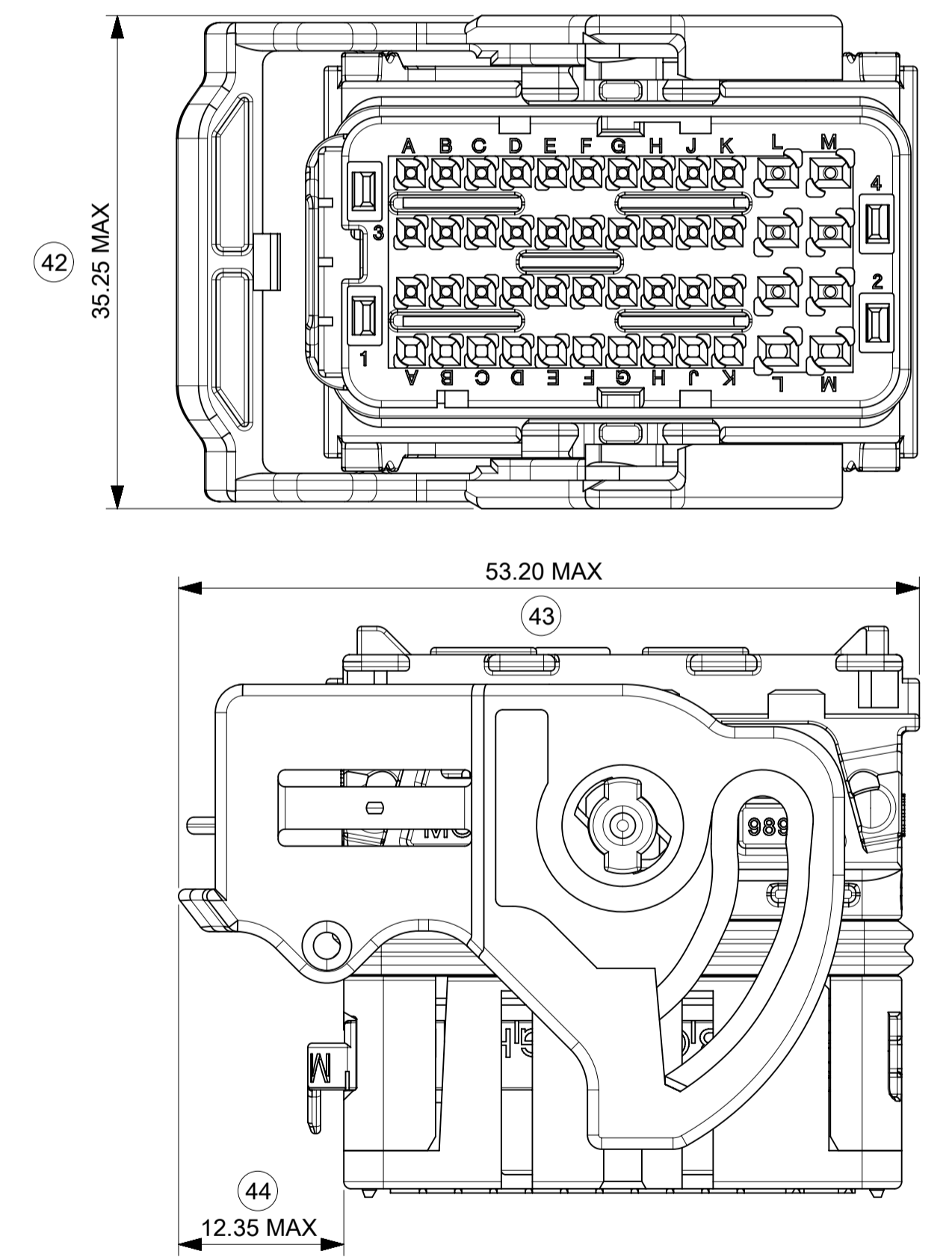
CONNECTOR OVERALL DIMENSIONS:  
SECONDARY LOCKING FULLY OPENED  
FOR TERMINAL INSERTION

LEFT WIRE OUTPUT

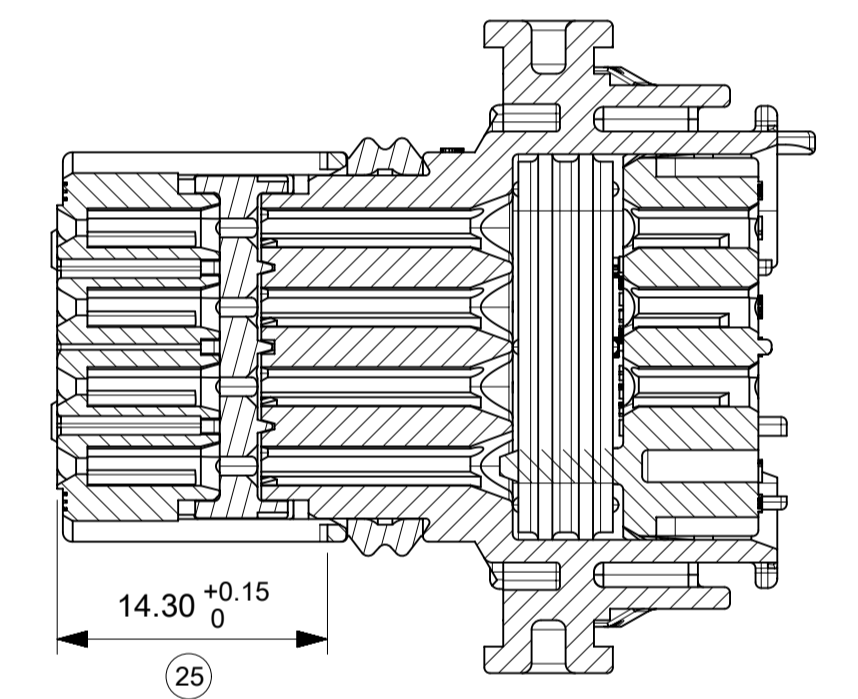


CONNECTOR OVERALL DIMENSIONS:  
SECONDARY LOCKING IN DELIVERY  
POSITION

LEFT WIRE OUTPUT



SECTION C-C  
WITHOUT LOCKING LEVER



COLOR	CODING	A	B	C	D	E
BLACK	1	13	6.4	8.6	6.4	2.2
GREY	2	10.8	8.6	13	8.6	2.2
BROWN	3	8.6	10.8	13	13	2.2
GREEN	4	10.8	13	6.4	6.4	2.2

TERMINALS USED				
CAVITY N°	FEMALE TERMINALS (Section mm2)	PLATING	MOLEX P/N	min / MAX WIRE INSULATION DIAMETER (mm)
A2 to A4 B2 to B4 C2 to C4 D2 to D4 E2 to E4 F2 to F4 G2 to G4 H2 to H4 J2 to J4 K2 to K4	CP 0.6 0.35mm2	Tin plated	0643221019	∅1.25 min / ∅1.40 Max
		Gold plated	0643221229	
	CP 0.6 0.5mm2	Tin plated	0643221039	∅1.40 min / ∅1.70 Max
		Gold plated	0643221239	
L2 to L4 M2 to M4	CP 0.6 0.75mm2	Tin plated	0643221029	∅1.60 min / ∅1.90 Max
		Gold plated	0643221219	
	CP 1.5 0.5mm2 to 1mm2	Tin plated	0643231029	∅1.40 min / ∅2.15 Max
		Gold plated	0643231319	
CP 1.5 >1mm2 to 2mm2	Tin plated	0643231039	∅2.10 min / ∅2.80 Max	
	Gold plated	0643231219		

THIS DRAWING CONTAINS INFORMATION THAT IS PROPRIETARY TO MOLEX ELECTRONIC TECHNOLOGIES, LLC AND SHOULD NOT BE USED WITHOUT WRITTEN PERMISSION

DIMENSION UNITS: mm SCALE: 2.5:1

GENERAL TOLERANCES (UNLESS SPECIFIED):

ANGULAR TOL: ± 2.0°

4 PLACES: ±

3 PLACES: ±

2 PLACES: ± 0.1

1 PLACE: ± 0.1

0 PLACES: ±

DRAFT WHERE APPLICABLE MUST REMAIN WITHIN DIMENSIONS

FIRST ANGLE PROJECTION

DRAWING: A1-SIZE

SERIES: 64320

CURRENT REV DESC: NX RE-MASTERING

EC NO: 627963

DRWN: PBOSQUAIN 2019/11/06

CHK'D: CBOUCHAN 2020/01/22

APPR: SLAFAURE 2020/01/23

INITIAL REVISION:

DRWN: PBOSQUAIN 2019/11/06

APPR: SLAFAURE 2020/01/23

DOCUMENT NUMBER: 643200003

DOC TYPE: PSD

DOC PART: 000

REVISION: A

MATERIAL NUMBER: SEE TABLE

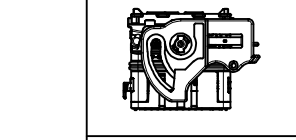
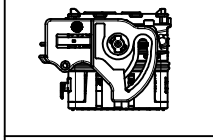
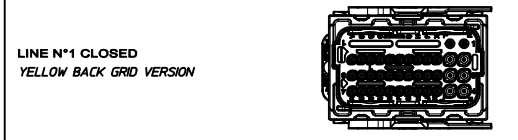
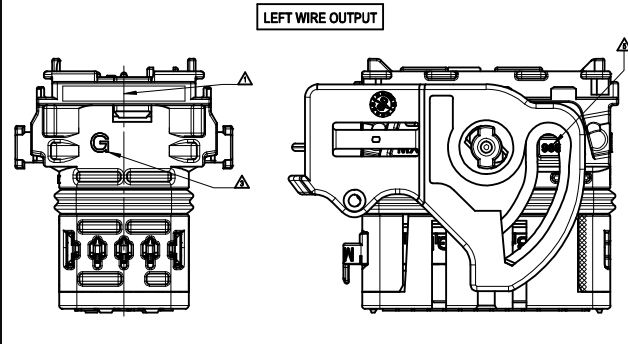
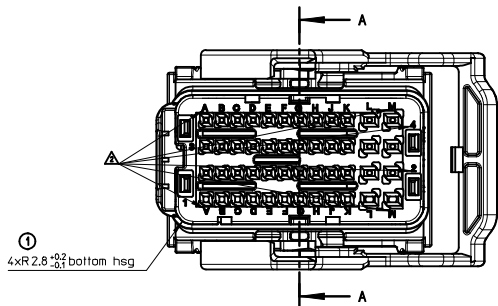
CUSTOMER: GENERAL MARKET

SHEET NUMBER: 2 OF 2

**molex**

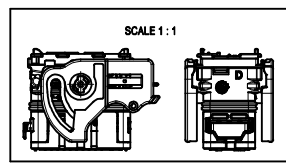
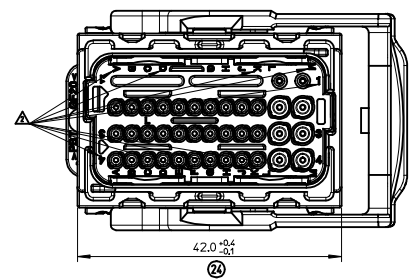
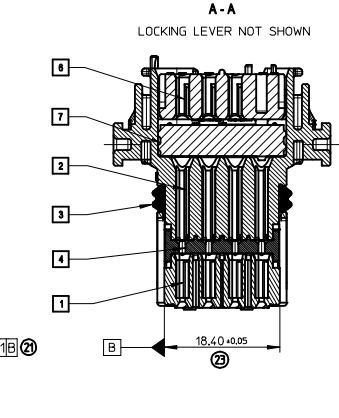
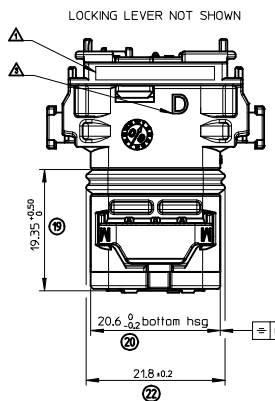
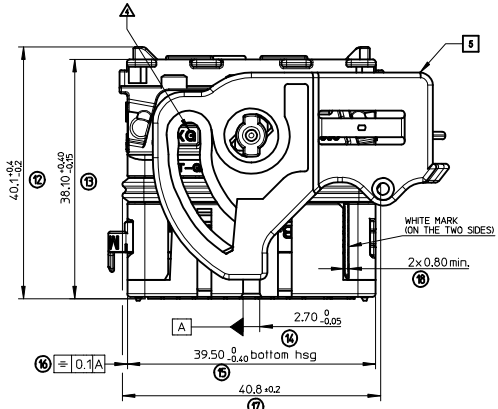
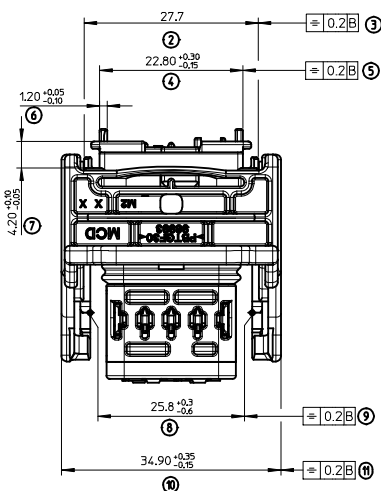
CMC CONNECTOR 36 WAY  
MAT SEAL VERSION

PRODUCT CUSTOMER DRAWING



MATERIAL NUMBER	COLOR
0643202311	BLACK
0643202319	BROWN

MATERIAL NUMBER	COLOR
0643204311	BLACK
0643204319	BROWN

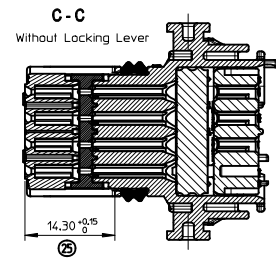
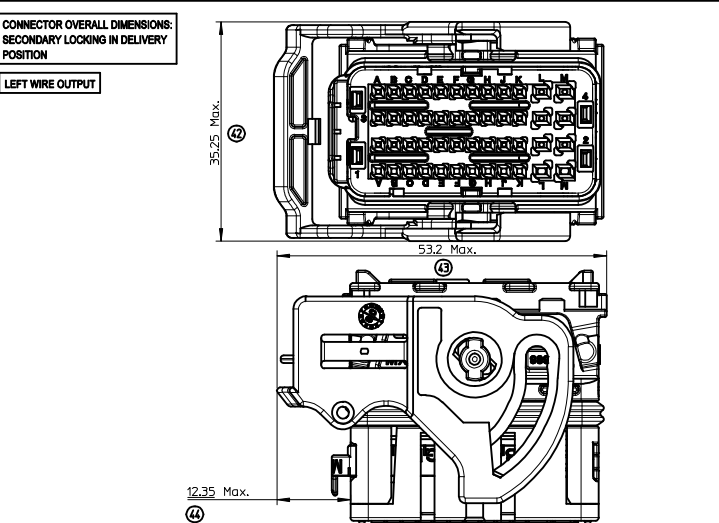
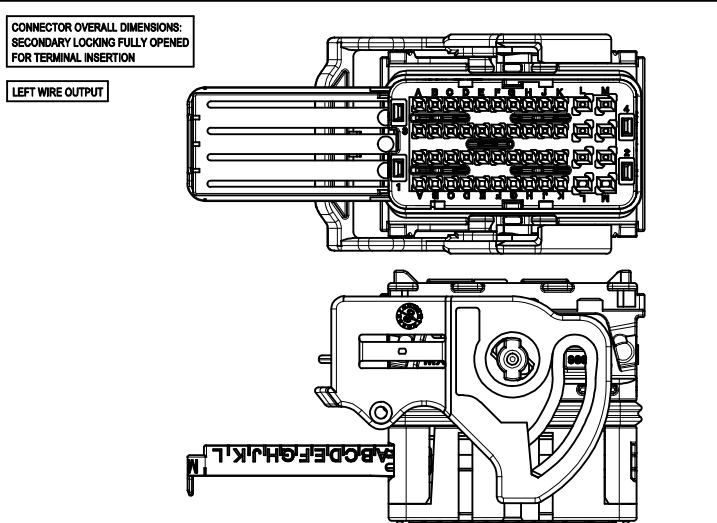
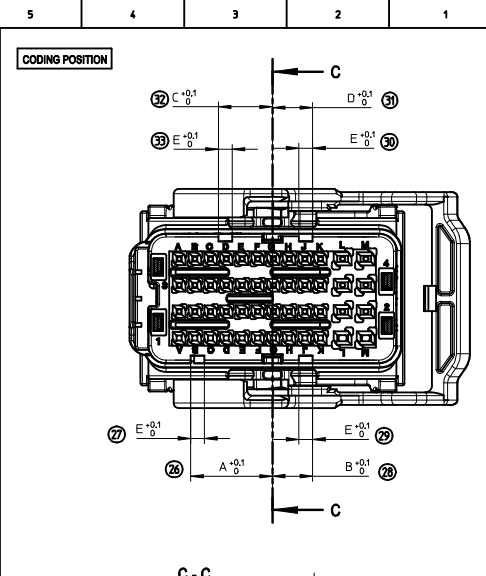
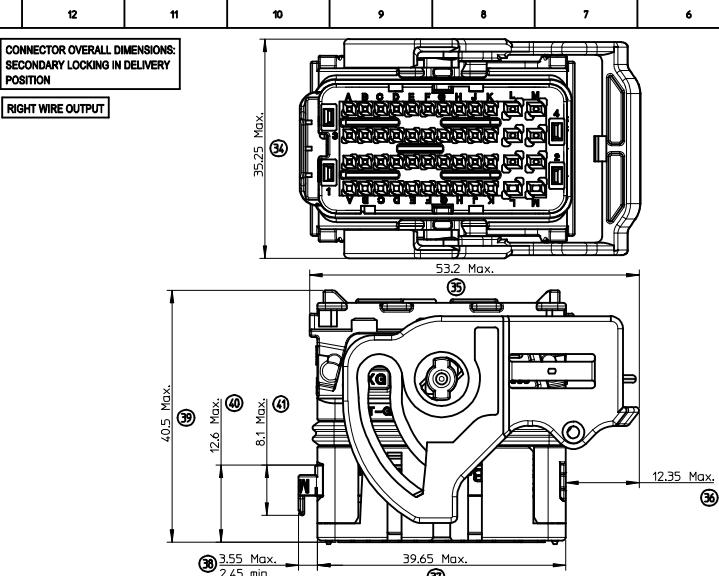
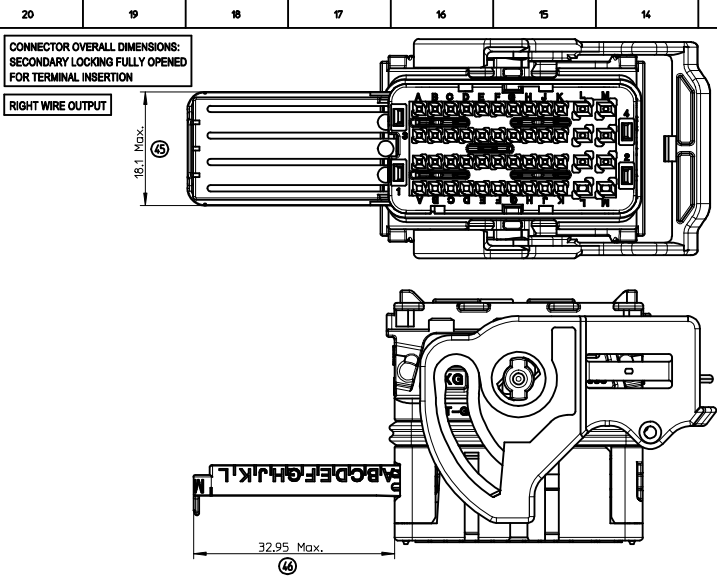


**NOTES:**  
 1-FOR ILLUSTRATION PURPOSE THE FEMALE HOUSING SHOWN IS: THE RIGHT WIRE OUTPUT VERSION CODING 1  
 2-APPLICATION SPECIFICATION: AS-64319-002  
 3-WIRES EXTERNAL DIAMETER USED: FOR CP06 TERMINAL: USED WIRES WITH AN EXTERNAL DIAMETER BETWEEN Ø1.25MM MIN AND Ø1.90MM MAX FOR CP15 TERMINAL: USED WIRES WITH AN EXTERNAL DIAMETER BETWEEN Ø1.0MM MIN AND Ø2.80MM MAX  
 4-THE CONNECTOR FITS WITH WIRE CAP (48 WAY) MOLEX P/N 0643201901  
 5-BLIND PLUG FOR 06 AND 15 CAVITIES (MOLEX P/N 0643251010 AND 0643251023) MUST BE USED ON THIS PART.  
 6-DELIVERED PRODUCT WEIGHT: 33.8 g

POS.	DESIGNATION	MATERIAL	COLOR
7	MAT SEAL	SILICON	RED
8	BACK GRID 36W	>PBT-GF20<	YELLOW
8	LOCKING LEVER 48W	>PBT-GF30<	BLACK
4	SECONDARY LOCK	>PBT-GF20<	GREY
3	PERIPHERAL SEAL 48W	SILICON	RED
2	BACK PART	>PBT-GF20<	BLACK
1	FRONT PART	>PBT-GF20<	COLOR LINKED TO KEYS

**MARKINGS :**  
 ▲ - Assembled part tracability: Day + Year  
 ▲ - Terminal cavities identification  
 ▲ - Lever position indicator: "D" LETTER VISIBLE = Part with "LEVER ON THE RIGHT" "G" LETTER VISIBLE = Part with "LEVER ON THE LEFT"  
 ▲ - Supplier identification  
 ▲ - Material identification

APPL. SPEC. CHANGED LEC NO: G2016-0064 D 2015/11/30 DRYNAPLESSIS 2015/12/01 CHYKOPOURBIN 2015/12/01 APPR: CBOUCHAN	QUALITY SYMBOLS	GENERAL TOLERANCES (UNLESS SPECIFIED)	DIMENSION STYLE	SCALE	DESIGN UNITS	FIRST ANGLE PROJECTION
		4 PLACES ± --- ± --- 3 PLACES ± --- ± --- 2 PLACES ± 0.1 ± --- 1 PLACE ± 0.1 ± --- 0 PLACE ± 0.1 ± ---	MM ONLY	2.5:1	METRIC	☐
DRAWN BY: T. BADAROUX CHECKED BY: P. GRANDCLAUD APPROVED BY: C. BOUCHAN		DATE: 2008/05/23		TITLE: CMX CONNECTOR 36 WAY MAT SEAL VERSION		DOCUMENT NO. SD-64320-003 SHEET NO. 1 OF 2
DRAFT WHERE APPLICABLE MUST REMAIN WITHIN DIMENSIONS		SEE CHART		THIS DRAWING CONTAINS INFORMATION THAT IS PROPRIETARY TO MOLEX INCORPORATED AND SHOULD NOT BE USED WITHOUT WRITTEN PERMISSION		



COLOR	KEYING	A	B	C	D	E
BLACK	1	13	6.4	8.6	6.4	2.2
GREY	2	10.8	8.6	13	8.6	2.2
BROWN	3	8.6	10.8	13	13	2.2
GREEN	4	10.8	13	6.4	6.4	2.2

TERMINALS USED

CAVITY #	FEMALE TERMINALS (Section mm2)	PLATING	MOLEX P/N	min / MAX WIRE INSULATION DIAMETER (mm)
A1 to K1 A2 to K2 A3 to K3 A4 to K4	CP 0.6 0.35mm2	Tin plated	0643221019	Ø1.25 min / Ø1.40 Max
		Gold plated	0643221229	
	CP 0.6 0.5mm2	Tin plated	0643221039	Ø1.40 min / Ø1.70 Max
		Gold plated	0643221239	
L1 to L4 M1 to M4	CP 0.6 0.75mm2	Tin plated	0643221029	Ø1.60 min / Ø1.90 Max
		Gold plated	0643221219	
	CP 1.5 0.5mm2 to 1mm2	Tin plated	0643231029	Ø1.40 min / Ø2.15 Max
		Gold plated	0643231319	
	CP 1.5 >1mm2 to 2mm2	Tin plated	0643231039	Ø2.10 min / Ø2.80 Max
		Gold plated	0643231219	

APPL. SPEC. CHANGED  
EC NO: G2016-0064  
DRAWN BY: DRWINPLESSIS 2015/11/30  
CHKD BY: PGOUBRIN 2015/12/01  
APPR: CBOUCHAN 2015/12/02

QUALITY SYMBOLS

GENERAL TOLERANCES (UNLESS SPECIFIED)		DIMENSION STYLE	
mm	INCH	MM ONLY	
4 PLACES ±	---	DRAWN BY DATE	
3 PLACES ±	---	T. BADAROUX 2008/05/23	
2 PLACES ±	0.1	CHECKED BY DATE	
1 PLACE ±	0.1	P. GRANDCLAUD 2008/05/23	
0 PLACE ±	0.1	APPROVED BY DATE	
		C. BOUCHAN 2008/05/23	

SCALE 2.5:1  
DESIGN UNITS METRIC  
FIRST ANGLE PROJECTION

TITLE  
CMC CONNECTOR 36 WAY  
MAT SEAL VERSION

DOCUMENT NO. SD-64320-003  
SHEET NO. 2 OF 2

SEE SHEET 1  
THIS DRAWING CONTAINS INFORMATION THAT IS PROPRIETARY TO MOLEX INCORPORATED AND SHOULD NOT BE USED WITHOUT WRITTEN PERMISSION