

注記  
NOTE

1. 使用材料  
MATERIAL
- ハウジング  
HOUSING : 液晶ポリマー (LCP), ガラス充填,  
UL94V-0 色:黒色  
LIQUID CRYSTAL POLYMER(LCP),  
GLASS FILLED,UL94V-0 COLOR:BLACK
- ターミナル  
TERMINAL : 銅合金(τ=0.18)  
ニッケル下地 金メッキ (コンタクト、テール部)  
COPPER ALLOY(τ=0.18)  
GOLD PLATING(CONTACT, TAIL AREA) OVER NICKEL PLATING.
- 金具  
FITTING NAIL : 銅合金(τ=0.25)  
ニッケル下地 錫メッキ  
COPPER ALLOY(τ=0.25)  
TIN OVER NICKEL PLATING.

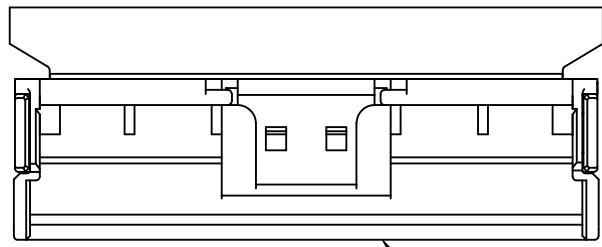
- ② N=偶数に適用 (N:極数)  
APPLY FOR N-EVEN IN CIRCUIT
- ③ パターン剥離止め用金具  
FITTING NAIL FOR PREVENTION OF PEELING  
OF P.C.B. PATTERN.
- ④ 適合ジャケット: 501783-\*\*09  
製品詳細寸法はSD-501783-001を参照下さい。  
APPLICABLE JACKET:501783-\*\*09  
RE DETAILED DIMENSION,SEE "SD-501783-001.
- ⑤ 適合ジャケットカバー: 501784-\*\*09  
製品詳細寸法はSD-501784-001を参照下さい。  
APPLICABLE JACKET:501784-\*\*09  
RE DETAILED DIMENSION,SEE "SD-501784-001.
6. ELV及びRoHS適合品  
ELV AND ROHS COMPLIANT

参考基板レイアウト  
P.C.B. BOARD PATTERN  
DIMENSION(REF.)  
(マウント面)  
(MOUNTING SIDE)

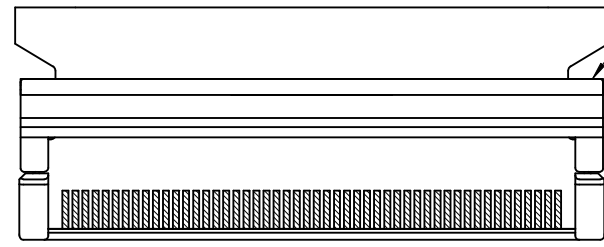
42.2	44.1	39.5	48.1	501786-8090	80
27.2	29.1	24.5	33.1	501786-5090	50
D	C	B	A	EMBOSSED PACKAGE	極数
オーダー番号 ORDER NO.					CIRCUITS
CONNECTOR SERIES NO. 501786-**11					

REVISED EC NO: J2010-1937 DRWN: YMORI 2010/03/25 CHKD: MATSUURA 2010/03/25 APPR: KMORIKAWA 2010/05/10	DESCRIPTION	GENERAL TOLERANCES (UNLESS SPECIFIED)		DIMENSION STYLE MM ONLY		SCALE	DESIGN UNITS METRIC		THIRD ANGLE PROJECTION	
		10 UNDER	±0.2	DRAWN BY	DATE	TITLE				
		10 OVER 30 UNDER	±0.25	H. IJIMA	06/01/13	0.5 FFC TO BOARD CONN REC HSG ASSY(ST)				
		30 OVER	±0.3	K. TAKAHASHI	06/01/13					
A	REV	ANGULAR ±1 °		APPROVED BY	DATE	MOLEX INCORPORATED				
		DRAFT WHERE APPLICABLE MUST REMAIN WITHIN DIMENSIONS		MATERIAL NO. 501786-**11		DOCUMENT NO. SD-501786-001		SHEET NO. 1 OF 2		
				SIZE A3		THIS DRAWING CONTAINS INFORMATION THAT IS PROPRIETARY TO MOLEX INCORPORATED AND SHOULD NOT BE USED WITHOUT WRITTEN PERMISSION				

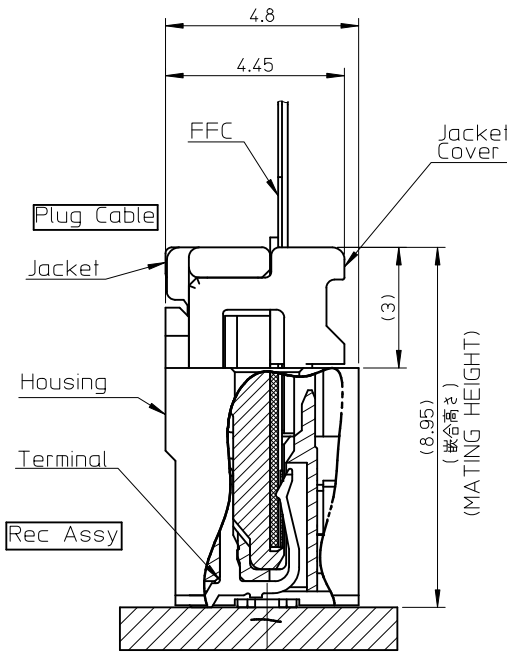
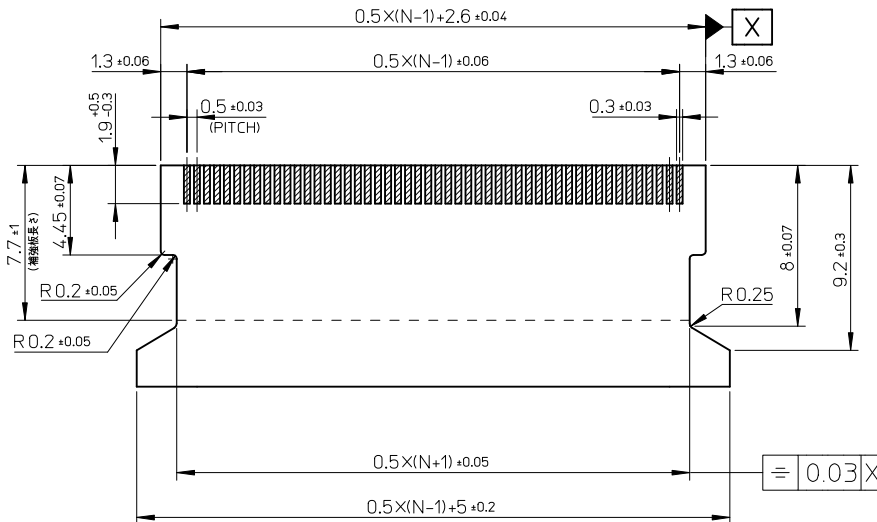
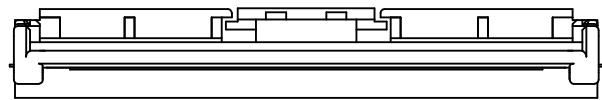
10 9 8 7 6 5 4 3 2 1



△ ジャケット  
JACKET



△ ジャケットカバー  
JACKET COVER

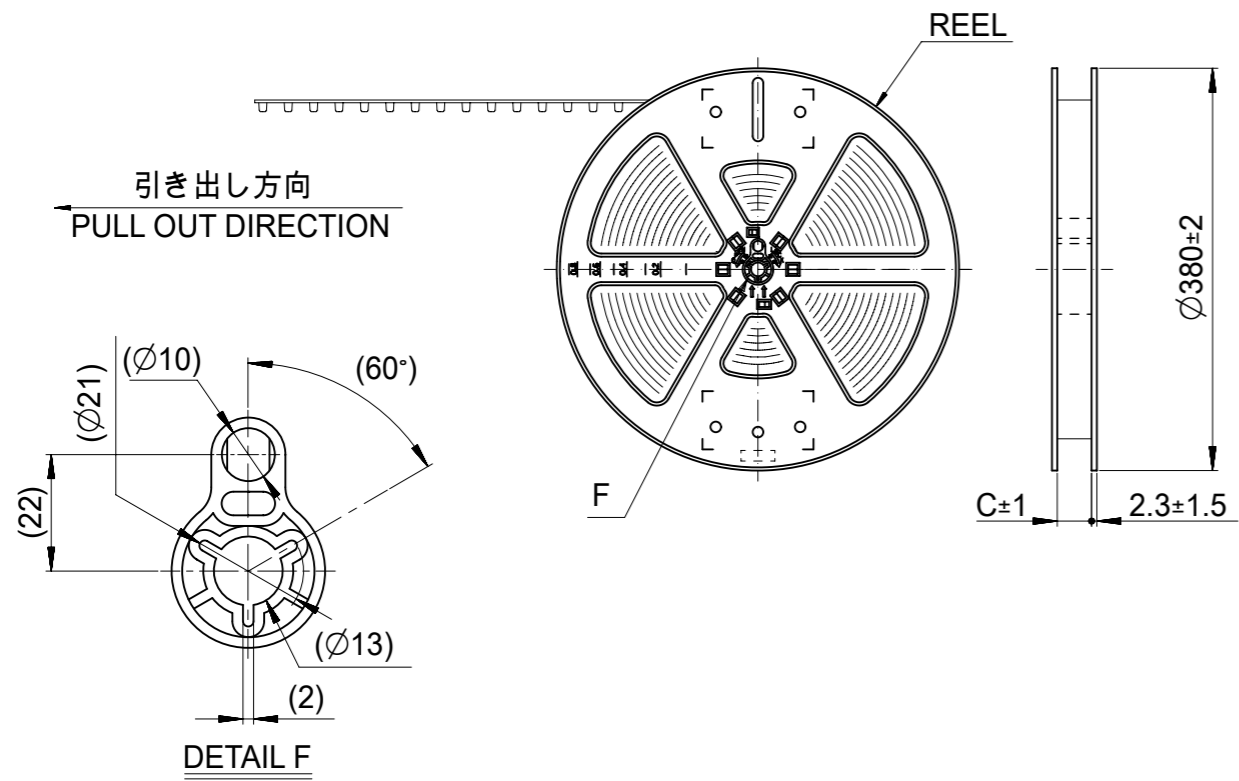


嵌合断面図

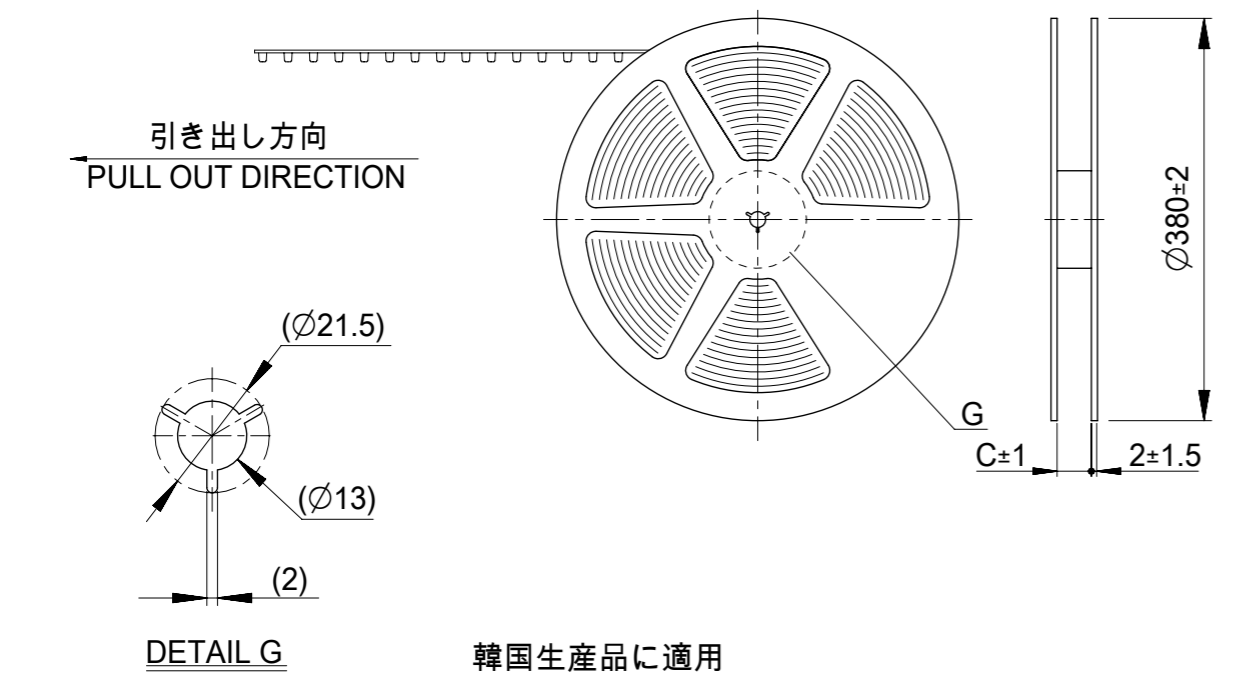
コネクタ接点部

適合FFC推奨寸法  
APPLICABLE FFC  
RECOMMENDED DIMENSION  
(仕上がり厚さ: コネクタ接点部 0.3±0.03)

SEE SHEET 1 OF 2	DRWN: YMORI 2010/03/25	GENERAL TOLERANCES (UNLESS SPECIFIED)		DIMENSION STYLE MM ONLY		SCALE 1/1	DESIGN UNITS METRIC	THIRD ANGLE PROJECTION
	EC NO: J2010-1937	CHKD: MATSUURA 2010/03/25	10 UNDER ± 0.2	DRAWN BY H. IJIMA	DATE 06/01/13	TITLE 0.5 FFC TO BOARD CONN REC HSG ASSY(ST)		
	APPR: KMORIKAWA 2010/05/10	10 OVER 30 UNDER ± 0.25	30 OVER ± 0.3	CHECKED BY K. TAKAHASHI	DATE 06/01/13	MOLEX INCORPORATED		
	REV A	ANGULAR ± 1 °	DRAFT WHERE APPLICABLE MUST REMAIN WITHIN DIMENSIONS	APPROVED BY H. HIRATA	DATE 06/01/13	MATERIAL NO. 501786-**11	DOCUMENT NO. SD-501786-001	SHEET NO. 2 OF 2



日本生産品に適用  
This reel is applied for Japan production.



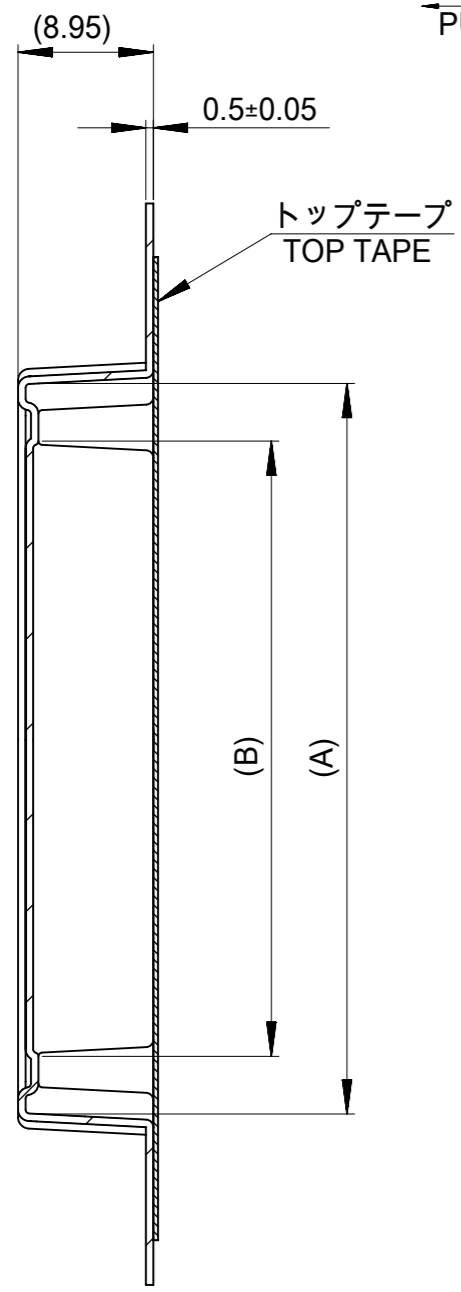
韓国生産品に適用  
This reel is applied for Korea production.

**NOTES**

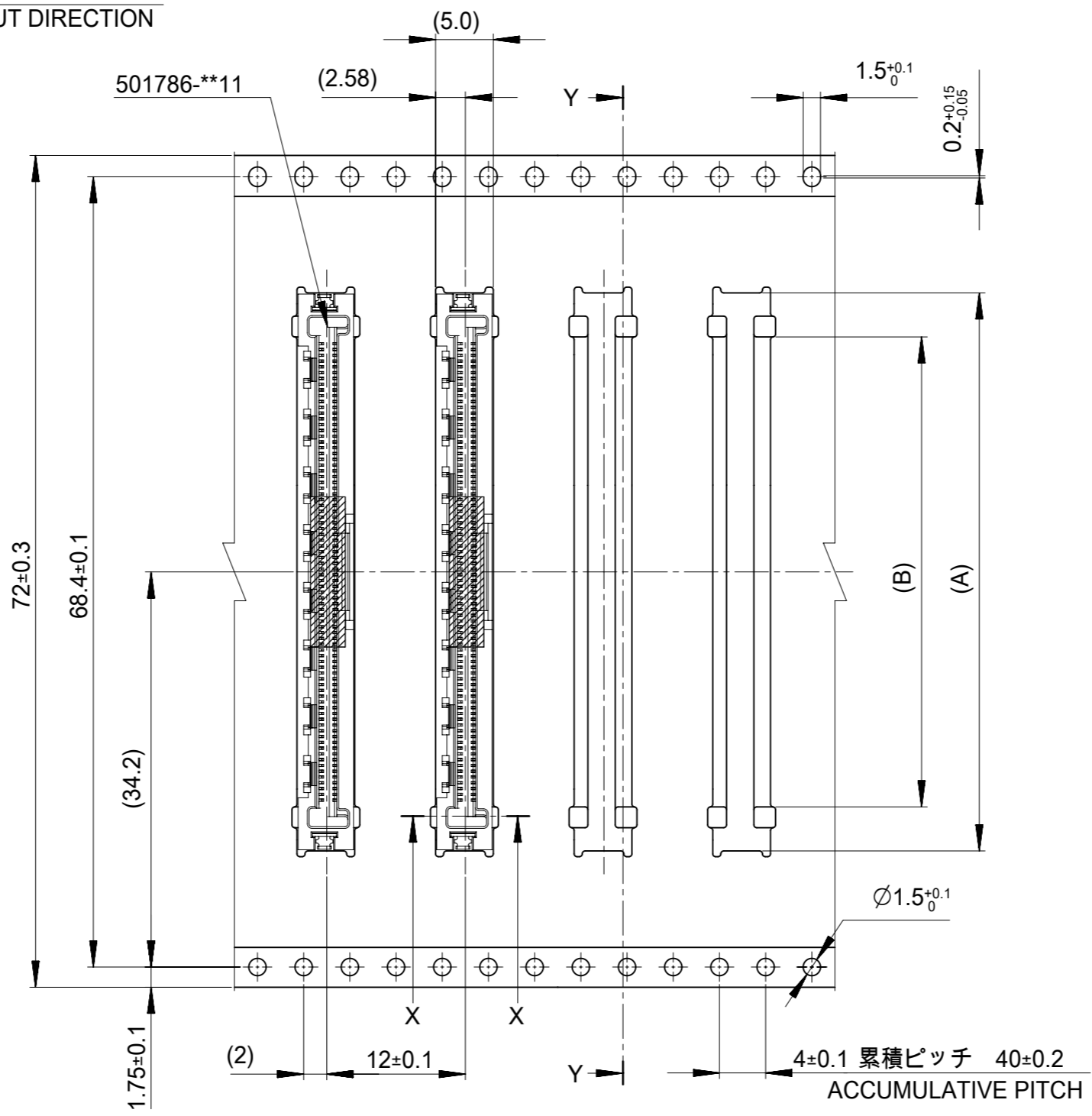
- 梱包数量：900個/リール  
NUMBER OF CONNECTORS:900 PCS/REEL
- リードテープ長さ  
LEAD TAPE LENGTH  
  - トップテープ接着部 (空エンボス) (EMPTY) 100MIN.
  - 部品挿入部 (COMPONENT SUPPLIER)
  - 末端部 (空エンボス) (TAIL PART (EMPTY)) 160MIN.
  - トップテープリーダー部 (TOP TAPE LEADER PART) 400MIN.
- カバーテープの剥離強度については、IEC60286-3に準拠。  
COVER TAPE PEEL FORCE IS DEFINED BY IEC 60286-3.
- 製品詳細寸法については図面 SD-501786-001を参照下さい。  
DETAILED DIMENSION, SEE SD-501786-001.
- 材料 MATERIAL  
 キャリアテープ：ポリスチレン  
 トップテープ：ポリエチレンテレフタレート、ポリエチレン  
 リール：ポリスチレン  
 CARRIER TAPE : POLYSTYRENE  
 TOP TAPE : POLYETHYLENE TEREPHTHALATE, POLYETHYLENE  
 REEL : POLYSTYRENE

THIS DRAWING CONTAINS INFORMATION THAT IS PROPRIETARY TO MOLEX ELECTRONIC TECHNOLOGIES, LLC AND SHOULD NOT BE USED WITHOUT WRITTEN PERMISSION		CURRENT REV DESC:		<b>molex</b>	
DIMENSION UNITS	SCALE				
mm	NTS			EMBSTP PKG FOR 0.5 FFC TO BOARD ST TYPE	
GENERAL TOLERANCES (UNLESS SPECIFIED)				PRODUCT CUSTOMER DRAWING	
ANGULAR TOL	± 3.0 °			DOCUMENT NUMBER	
4 PLACES	± 0.2	EC NO: 655539	2021/03/11	SD-501786-003	
3 PLACES	± 0.25	DRWN: TNAKAGAWA01	2021/03/15	DOC TYPE	DOC PART
2 PLACES	± 0.3	CHK'D: HSHIMYOYAMA	2021/03/15	PSD	001
1 PLACE	± 0.1	APPR: SHOSHIKAWA	2021/03/15	REVISION	B
0 PLACES	±	INITIAL REVISION:		SHEET NUMBER	
DRAFT WHERE APPLICABLE MUST REMAIN WITHIN DIMENSIONS		DRWN: HIJIMA	2006/03/31	MATERIAL NUMBER	
THIRD ANGLE PROJECTION		APPR: KTAKAHASHI	2006/04/04	CUSTOMER	
DRAWING		SERIES		GENERAL MARKET	
A3-SIZE		501786		1 OF 2	

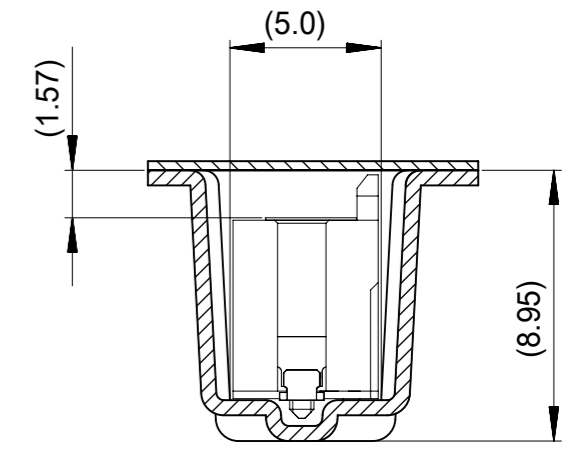
引き出し方向  
PULL OUT DIRECTION



SECT. Y-Y



72mm幅キャリアテープ  
72mm WIDTH CARRIER TAPE



SECT. X-X

72	73.5	40.68	48.3	501786-8090	80
キャリアテープ幅 CARRIER TAPE WIDTH	C	B	A	オーダー番号 ORDER NO.	極数 CKT

THIS DRAWING CONTAINS INFORMATION THAT IS PROPRIETARY TO MOLEX ELECTRONIC TECHNOLOGIES, LLC AND SHOULD NOT BE USED WITHOUT WRITTEN PERMISSION

DIMENSION UNITS	SCALE	CURRENT REV DESC:			
mm	NTS	<p><b>molex</b></p> <p>EMBSTP PKG FOR 0.5 FFC TO BOARD ST TYPE</p> <p>PRODUCT CUSTOMER DRAWING</p>			
GENERAL TOLERANCES (UNLESS SPECIFIED)					
ANGULAR TOL	± 3.0 °				
4 PLACES	± 0.2				
3 PLACES	± 0.25				
2 PLACES	± 0.3				
1 PLACE	± 0.1	EC NO: 655539	2021/03/11	DOCUMENT NUMBER	
0 PLACES	±	DRWN: TNAKAGAWA01	2021/03/15	DOC TYPE	
DRAFT WHERE APPLICABLE MUST REMAIN WITHIN DIMENSIONS		CHK'D: HSHIMOYAMA	2021/03/15	DOC PART	
THIRD ANGLE PROJECTION		APPR: SHOSHIKAWA	2021/03/15	REVISION	
DRAWING		INITIAL REVISION:	SD-501786-003		
A3-SIZE		DRWN: HIJIMA	2006/03/31	PSD	001
SERIES		APPR: KTAKAHASHI	2006/04/04	001	B
MATERIAL NUMBER		CUSTOMER		SHEET NUMBER	
501786		GENERAL MARKET		2 OF 2	