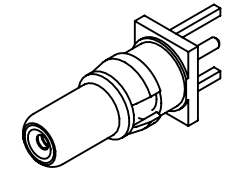
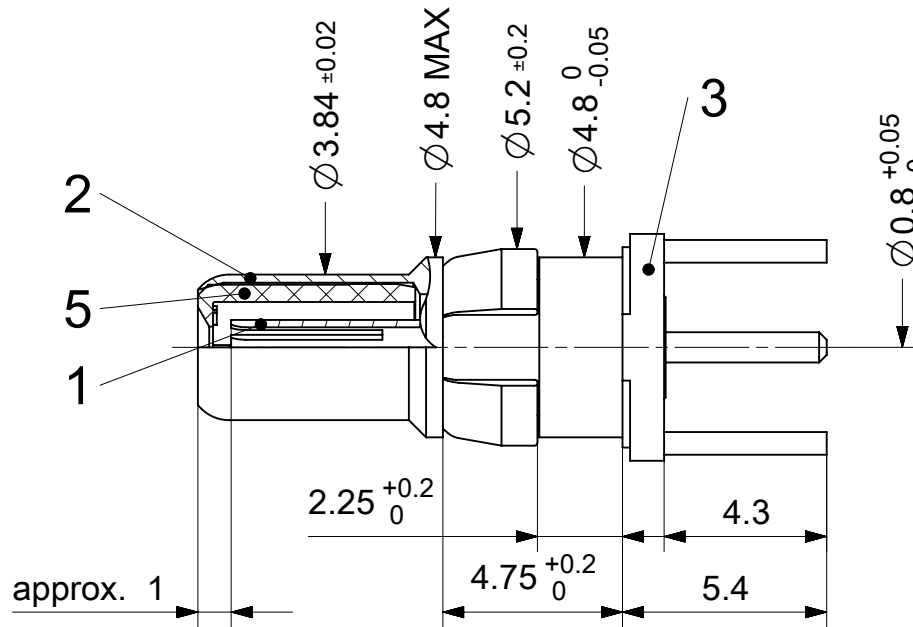
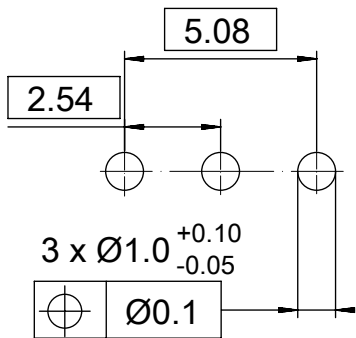


PCB-Layout



2:1

RoHS compliant  
by exemption

1731120819	FME005P101	101
1731120188	FME005P102	102
1731121070	FME005P202	202
Material Number	FCT Part Number	Material + Finish See extra sheet

UNLESS OTHERWISE SPECIFIED DIMENSIONS FOR REFERENCE ONLY				REPLACEMENT FOR DOCUMENT NUMBER: FME005P			
FUNCTIONAL SYMBOLS		THIS DRAWING CONTAINS INFORMATION THAT IS PROPRIETARY TO MOLEX ELECTRONIC TECHNOLOGIES, LLC AND SHOULD NOT BE USED WITHOUT WRITTEN PERMISSION					
DIMENSION UNITS		SCALE		CURRENT REV DESC:			
mm		5:1		EC NO: 730943			
GENERAL TOLERANCES (UNLESS SPECIFIED)		ANGULAR TOL		DRWN: SUGEEB 2022/07/07			
±		°		CHK'D: MTEUBEL 2022/12/06			
DIVISIONAL SYMBOLS		4 PLACES		APPR: MTEUBEL 2022/12/06			
±		3 PLACES		INITIAL REVISION:			
±		2 PLACES		DRWN: SUGEEB 2022/07/07			
±		1 PLACE		APPR: MTEUBEL 2022/12/06			
±		0 PLACES		DOCUMENT NUMBER			
DRAFT WHERE APPLICABLE MUST REMAIN WITHIN DIMENSIONS		FIRST ANGLE PROJECTION		DRAWING		SERIES	
A4-SIZE		173112		MATERIAL NUMBER		CUSTOMER	
SEE TABLE		GENERAL MARKET		SHEET NUMBER		1 OF 1	



FCT 75 OHM COAXIAL CONTACT FOR D-SUB

PRODUCT CUSTOMER DRAWING

DOCUMENT NUMBER	DOC TYPE	DOC PART	REVISION
1731120819	PSD	000	A

DOCUMENT STATUS	P1	RELEASE DATE	2022/12/06	14:05:24
-----------------	----	--------------	------------	----------