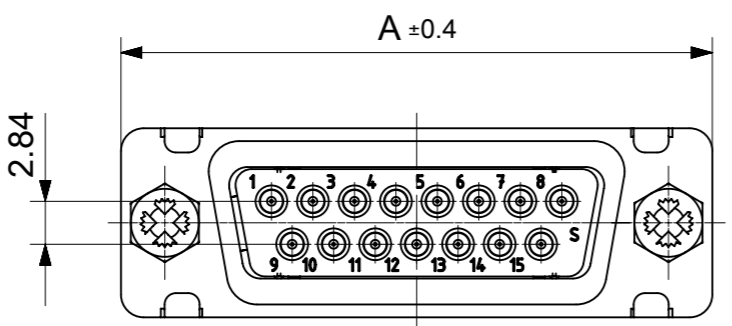
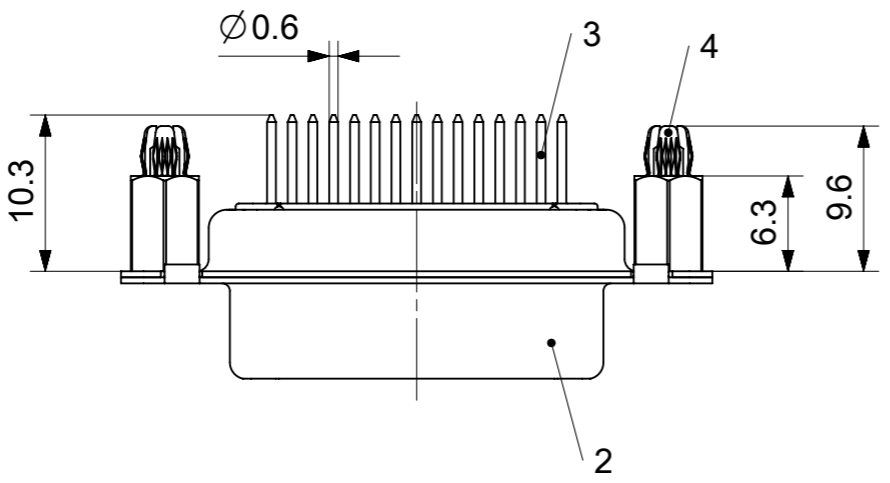
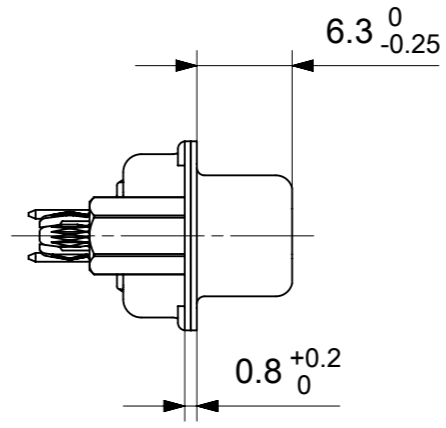
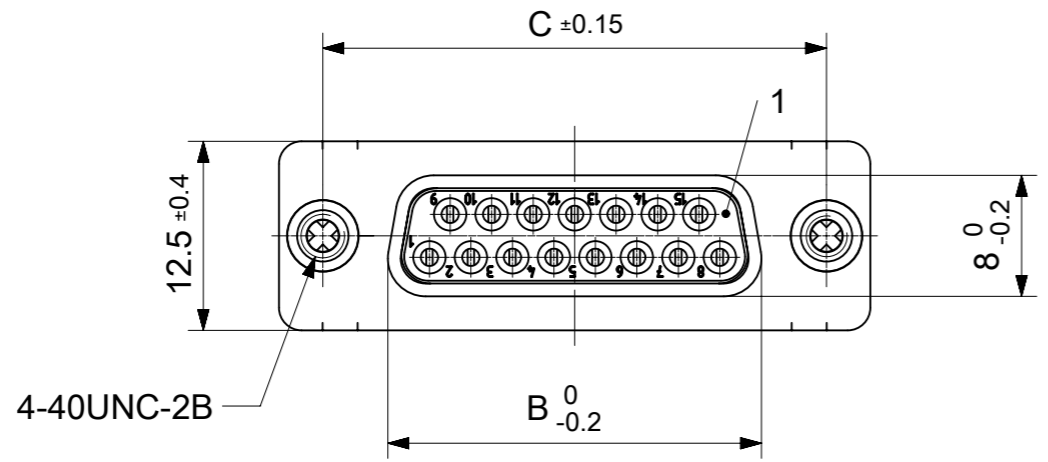


RoHS compliant
by exemption



FCT Part number:

Fxx*1)S1y*2)-2304

e.g. F15S1G1-2304

*1) xx No. of contacts 09, 15, 25 or 37

*2) y for performance classes 1, 2 or 3

(contact cycle for G1/G2/G3 = 500/200/50)

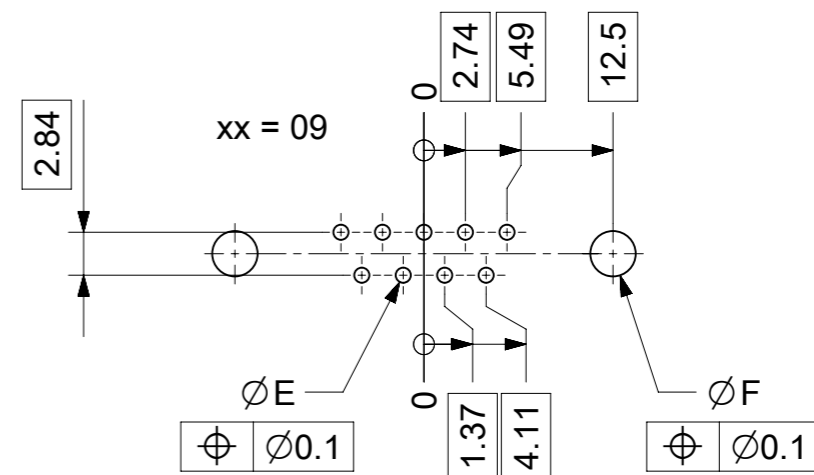
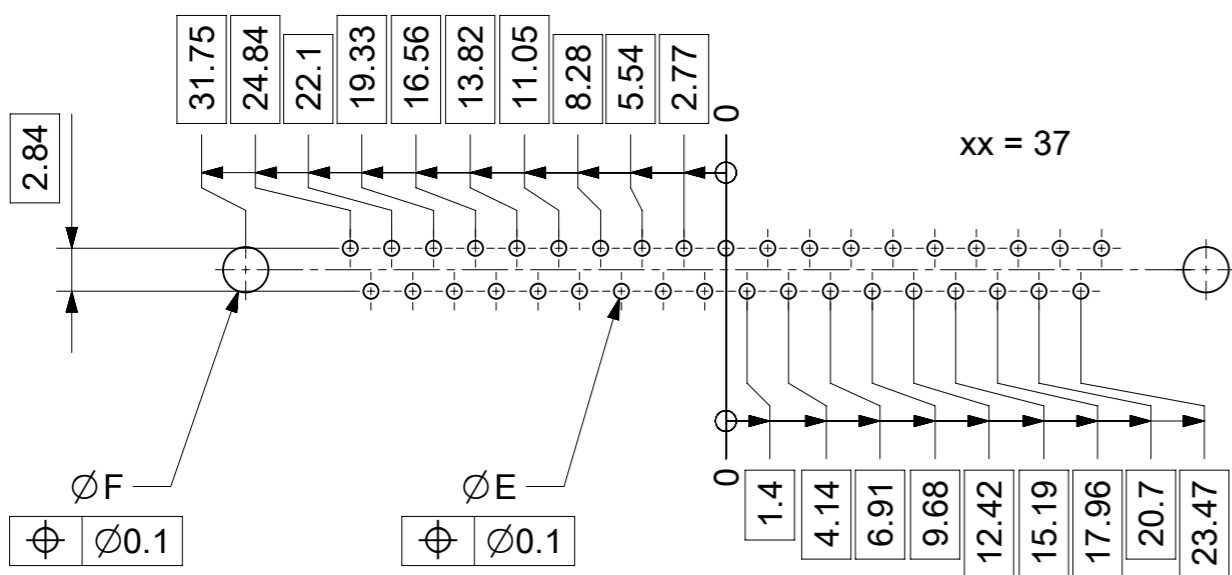
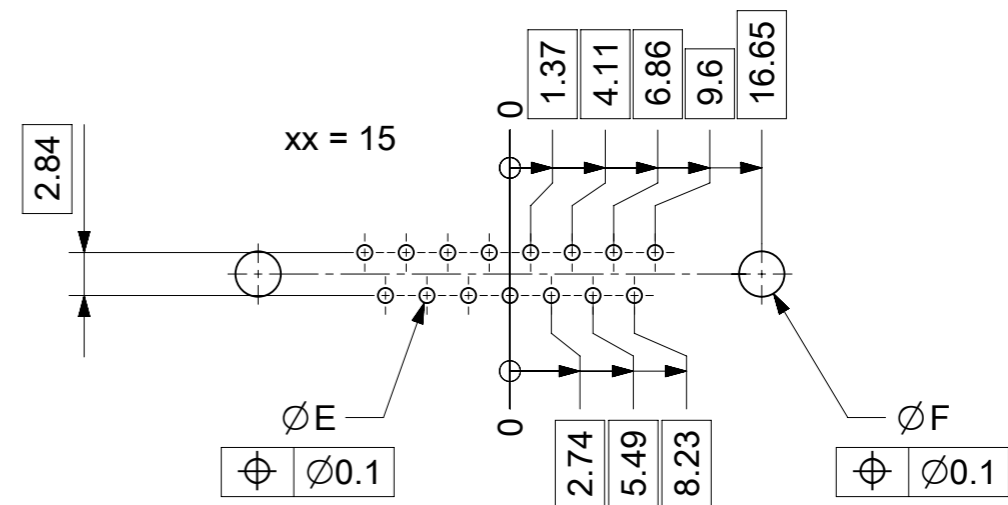
Material Number	xx*1)	y*2)	A[mm]	B[mm]	C[mm]	*E[mm]	*F[mm]
1731091155	09	G1	30.8	16.4	25	Ø1.1	Ø3
1731091169		G2					
1731091328	15	G1	39.1	24.7	33.3		
1731091345		G3					
1731091468	25	G3	53	38.5	47.04		
1731091547	37	G2	69.3	54.9	63.5		

*PCB hole patterns ØE, ØF see document 2195600023

No.	Pc.	Part	Type Description/Material	Surface plating/Color/Class
4	2	Snap-in bolt	PCB 1.6mm / Brass	tin plated
3	xx	Signal contact	S1 / Brass	G1 /G2 /G3
2	1	Shell	Steel	tin plated
1	1	Insulator	PBT (-55°C to +125°C) acc. UL94V-0	white

MEASUREMENTS WITHOUT TOLERANCE ACC TO ISO 2768-m REPLACEMENT FOR DOCUMENT NUMBER: FxxS1Gy-2304

FUNCTIONAL SYMBOLS	THIS DRAWING CONTAINS INFORMATION THAT IS PROPRIETARY TO MOLEX ELECTRONIC TECHNOLOGIES, LLC AND SHOULD NOT BE USED WITHOUT WRITTEN PERMISSION	CURRENT REV DESC:		molex							
	<table border="1"> <tr> <th>DIMENSION UNITS</th> <th>SCALE</th> </tr> <tr> <td>mm</td> <td>2:1</td> </tr> </table>	DIMENSION UNITS	SCALE		mm	2:1	EC NO: 708549				
	DIMENSION UNITS	SCALE									
	mm	2:1									
GENERAL TOLERANCES (UNLESS SPECIFIED)		DRWN: SUGEEB	2021/12/03								
ANGULAR TOL ± °		CHK'D: MTEUBEL	2022/05/30								
DIVISIONAL SYMBOLS	4 PLACES ±	APPR: MTEUBEL	2022/05/30	PRODUCT CUSTOMER DRAWING							
	3 PLACES ±	INITIAL REVISION:									
	2 PLACES ±	DRWN: SUGEEB	2021/12/03								
	1 PLACE ±	APPR: MTEUBEL	2022/05/30								
0 PLACES ±	DRAFT WHERE APPLICABLE MUST REMAIN WITHIN DIMENSIONS		FIRST ANGLE PROJECTION	DRAWING	SERIES	MATERIAL NUMBER	CUSTOMER	DOCUMENT NUMBER	DOC TYPE	DOC PART	REVISION
		A3-SIZE		173109	SEE TABLE	GENERAL MARKET	1731091155	PSD	000	A	



ØE, ØF see data sheet incl. connector
 ØF connectors with accessories only

MEASUREMENTS WITHOUT TOLERANCE ACC TO ISO 2768-m			REPLACEMENT FOR DOCUMENT NUMBER: AM0023						
THIS DRAWING CONTAINS INFORMATION THAT IS PROPRIETARY TO MOLEX ELECTRONIC TECHNOLOGIES, LLC AND SHOULD NOT BE USED WITHOUT WRITTEN PERMISSION									
FUNCTIONAL SYMBOLS	DIMENSION UNITS	SCALE	CURRENT REV DESC:						
FA = 0	mm	2:1	EC NO: 713905						
FE = 0	GENERAL TOLERANCES (UNLESS SPECIFIED)		DRWN: SKANDB 2022/05/16						
FP = 0	ANGULAR TOL ± °		CHK'D: MTEUBEL 2022/07/12						
DIVISIONAL SYMBOLS	4 PLACES ±		APPR: MTEUBEL 2022/07/12						
	3 PLACES ±		INITIAL REVISION:						
	2 PLACES ±		DRWN: SKANDB 2022/05/16						
	1 PLACE ±		APPR: MTEUBEL 2022/07/12						
	0 PLACES ±		DOCUMENT NUMBER						
DRAFT WHERE APPLICABLE MUST REMAIN WITHIN DIMENSIONS		FIRST ANGLE PROJECTION	DRAWING	SERIES	MATERIAL NUMBER	CUSTOMER	DOC TYPE	DOC PART	REVISION
			A3-SIZE	219560	219560	GENERAL MARKET	PSD	000	A
DOCUMENT STATUS			P1	RELEASE DATE	2022/07/12 08:25:55	SHEET NUMBER			
						1 OF 1			