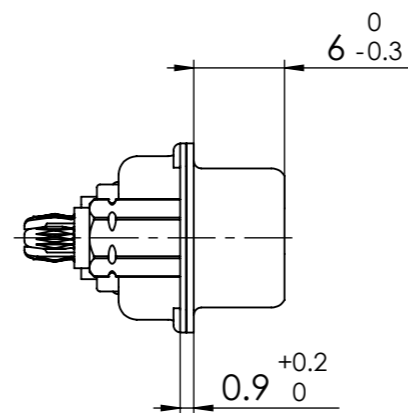
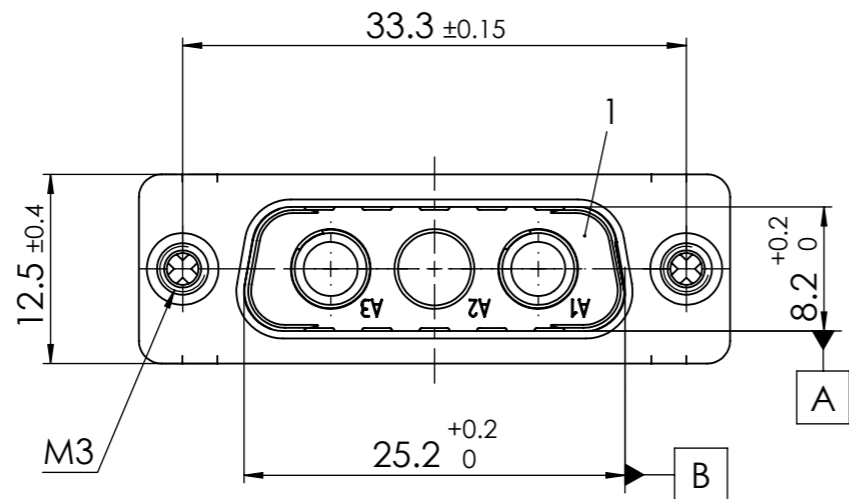
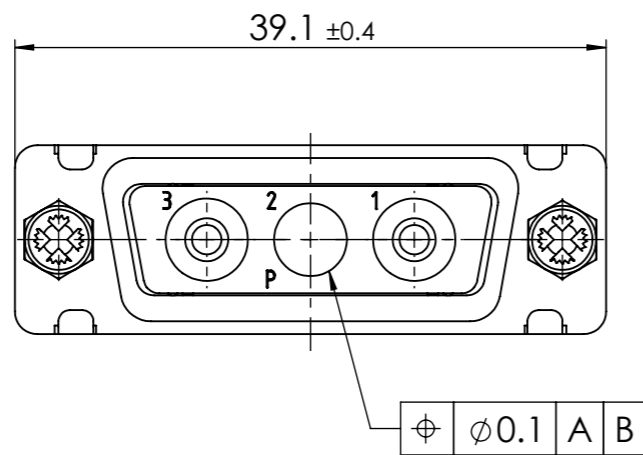
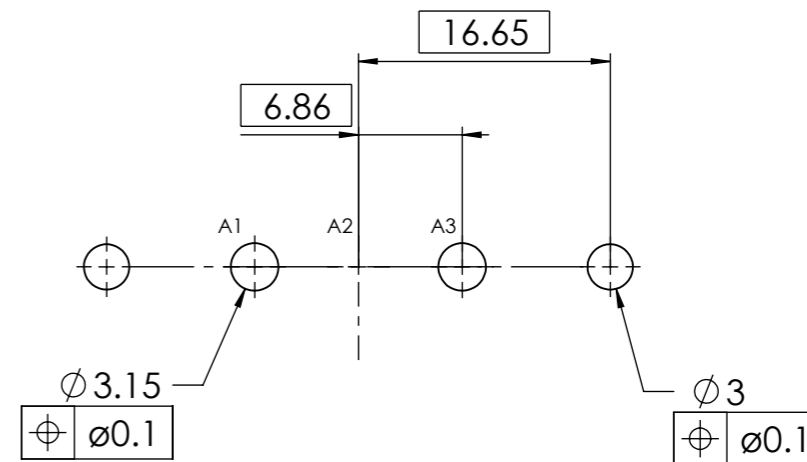
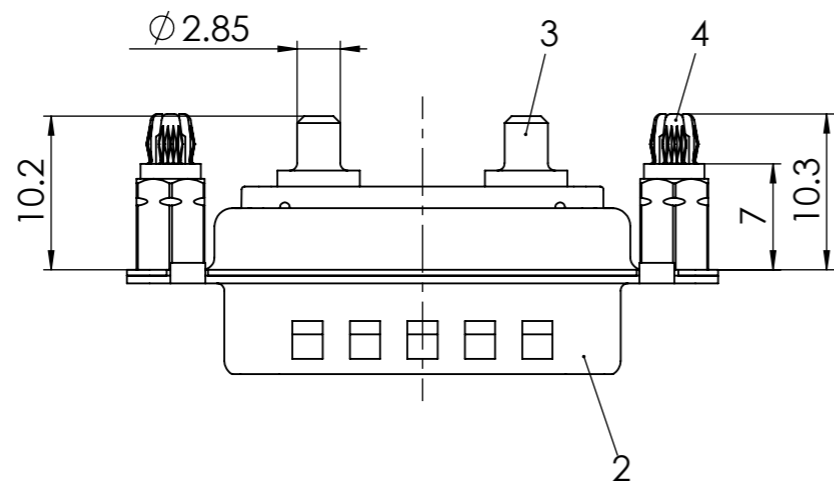


RoHS compliant
by exemption



PCB hole pattern, mounting side



4	2	Snap-in bolt	PCB 1.6mm / Brass	tin plated
3	2	High power contact	FMP010P104	20A
2	1	Shell	Steel	tin plated
1	1	Insulator	PBT (-55°C to +130°C) acc. UL94V-0	green
No.	St.	Part	Type Description/Material	Surface plating/Colour/Class

FUNCTIONAL SYMBOLS ▽ = 0 ▽ = 0 ▽ = 0					THIS DRAWING CONTAINS INFORMATION THAT IS PROPRIETARY TO MOLEX ELECTRONIC TECHNOLOGIES, LLC AND SHOULD NOT BE USED WITHOUT WRITTEN PERMISSION				
DIMENSION UNITS		SCALE		MEASUREMENTS WITHOUT TOLERANCE ACC. TO					
mm		2:1		ISO 2768-m					
3		24410		CURRENT REVISION		DRWN: DRAWN BY mteubel 18-12-2023 APPR: APPR BY msteinbrueck 21-12-2023			
2		24130		INITIAL REVISION		DRWN: DRAWN BY sschref 02-02-2004 APPR: APPR BY aschiekofer 02-02-2004			
1						MATERIAL NUMBER 1731071022			
REV.		CH.-NO.		REPLACEMENT FOR:		DOCUMENT NUMBER		CUSTOMER	
				1731071022_Rev.A1		FM3W3P-2247		GENERAL MARKET	
				FRIST ANGLE PROJECTION		DRAWING		SHEET NUMBER	
						A3-SIZE		1 OF 1	

COMMENT:
ALL RIGHTS ARE RESERVED BY US FOR THIS DRAWING. WITHOUT OUR PRIOR CONSENT, IT MAY NEITHER BE DUPLICATED NOR MADE AVAILABLE TO A THIRD PARTY. AND IT ALSO MAY NOT BE IMPROPERLY USED BY THE RECEIVER, OR A THIRD PARTY.