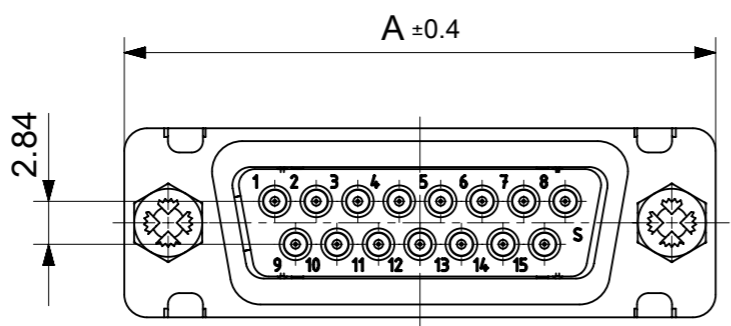
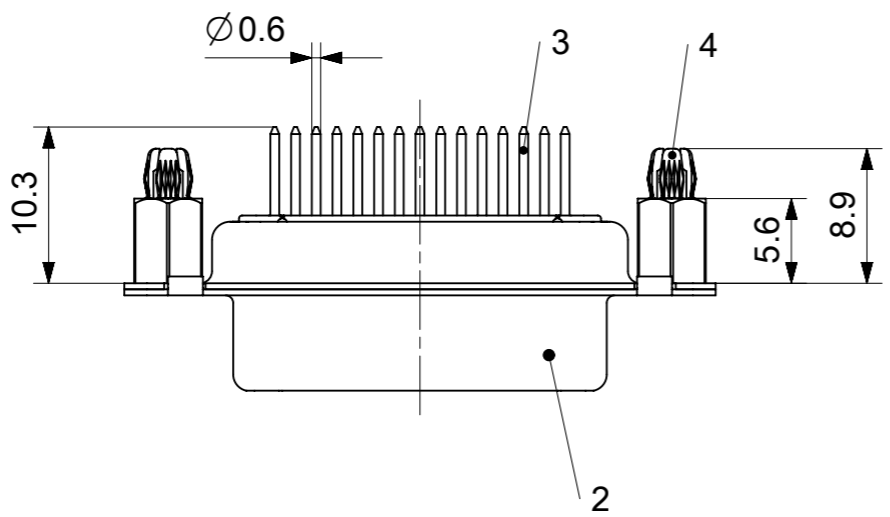
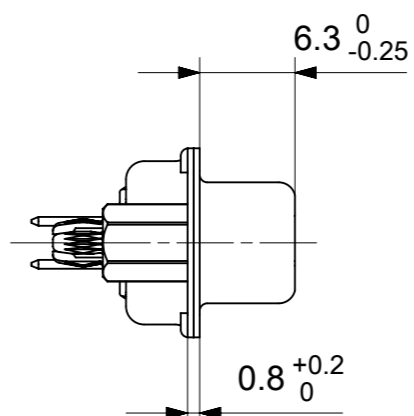
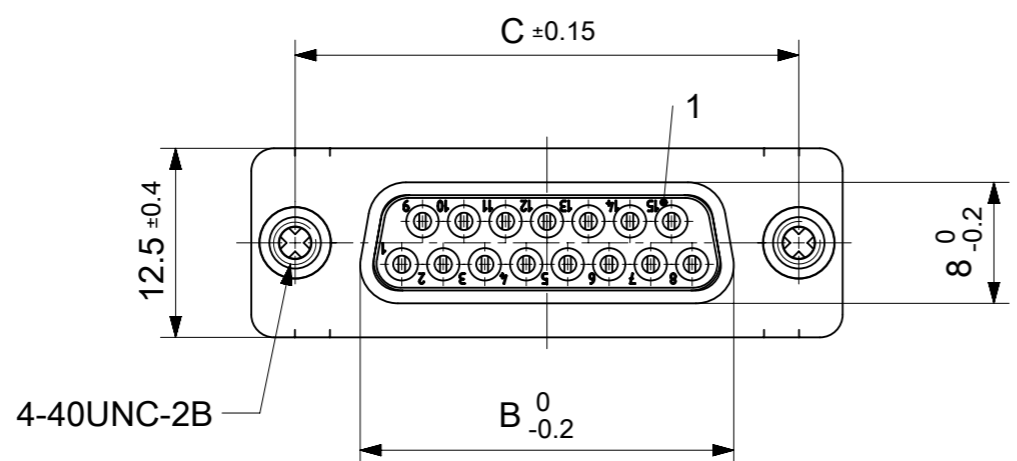


RoHS compliant
by exemption



FCT Part number:
Fxx*1)S1y*2)-0981
e.g. F15S1G1-0981
*1) xx No. of contacts 09, 15, 25 or 37
*2) y for performance classes 1, 2 or 3
(contact cycle for G1/G2/G3 = 500/200/50)

Material Number	xx*1)	y*2)	A[mm]	B[mm]	C[mm]	*E[mm]	*F[mm]
1731090460	09	G1	30.8	16.4	25	Ø1	Ø3
1731090423		G2					
1731091317	15	G1	39.1	24.7	33.3		
1731090424		G2					
1731091450	25	G1	53	38.5	47.04		
1731090425		G2					
1731092112	37	G1	69.3	54.9	63.5		
1731091941		G2					

*PCB hole patterns ØE, ØF see document 2195600023

4	2	Snap-in bolt	PCB 1.6mm / Brass	tin plated
3	xx	Signal contact	S1 / Brass	G1 / G2
2	1	Shell	Steel	tin plated
1	1	Insulator	PBT (-55°C to +125°C) acc. UL94V-0	white
No.	Pc.	Part	Type Description/Material	Surface plating/Color/Class

MEASUREMENTS WITHOUT TOLERANCE ACC TO ISO 2768-m

REPLACEMENT FOR DOCUMENT NUMBER: FxxS1Gy-0981

FUNCTIONAL SYMBOLS: THIS DRAWING CONTAINS INFORMATION THAT IS PROPRIETARY TO MOLEX ELECTRONIC TECHNOLOGIES, LLC AND SHOULD NOT BE USED WITHOUT WRITTEN PERMISSION

SCALE: 2:1

GENERAL TOLERANCES (UNLESS SPECIFIED):

ANGULAR TOL ± °

4 PLACES ±

3 PLACES ±

2 PLACES ±

1 PLACE ±

0 PLACES ±

DIVISIONAL SYMBOLS

DRAFT WHERE APPLICABLE MUST REMAIN WITHIN DIMENSIONS

FIRST ANGLE PROJECTION

DRAWING: A3-SIZE

SERIES: 173109

MATERIAL NUMBER: SEE TABLE

CUSTOMER: GENERAL MARKET

SHEET NUMBER: 1 OF 1

EC NO: 707726

DRWN: GOOLAM 2021/12/03

CHK'D: MTEUBEL 2022/05/25

APPR: MTEUBEL 2022/05/25

INITIAL REVISION:

DRWN: GOOLAM 2021/12/03

APPR: MTEUBEL 2022/05/25

DOCUMENT NUMBER: 1731090460

DOC TYPE: PSD

DOC PART: 000

REVISION: A

molex

FCT D-SUB MINIATURE CONNECTOR

PRODUCT CUSTOMER DRAWING



ØE, ØF see data sheet incl. connector
 ØF connectors with accessories only

MEASUREMENTS WITHOUT TOLERANCE ACC TO ISO 2768-m			REPLACEMENT FOR DOCUMENT NUMBER: AM0023			
THIS DRAWING CONTAINS INFORMATION THAT IS PROPRIETARY TO MOLEX ELECTRONIC TECHNOLOGIES, LLC AND SHOULD NOT BE USED WITHOUT WRITTEN PERMISSION						
FUNCTIONAL SYMBOLS	DIMENSION UNITS	SCALE	CURRENT REV DESC:			
▽A = 0	mm	2:1	EC NO: 713905			
▽E = 0	GENERAL TOLERANCES (UNLESS SPECIFIED)		DRWN: SKANDB 2022/05/16			
▽P = 0	ANGULAR TOL ± °		CHK'D: MTEUBEL 2022/07/12			
DIVISIONAL SYMBOLS	4 PLACES ±		APPR: MTEUBEL 2022/07/12			
	3 PLACES ±		INITIAL REVISION:			
	2 PLACES ±		DRWN: SKANDB 2022/05/16			
	1 PLACE ±		APPR: MTEUBEL 2022/07/12			
	0 PLACES ±		DOCUMENT NUMBER			
DRAFT WHERE APPLICABLE MUST REMAIN WITHIN DIMENSIONS		FIRST ANGLE PROJECTION	DRAWING	SERIES	MATERIAL NUMBER	CUSTOMER
		⊞	A3-SIZE	219560	219560	GENERAL MARKET
			PRODUCT CUSTOMER DRAWING		REVISION	
			2195600023		A	
			PSD 000		1 OF 1	