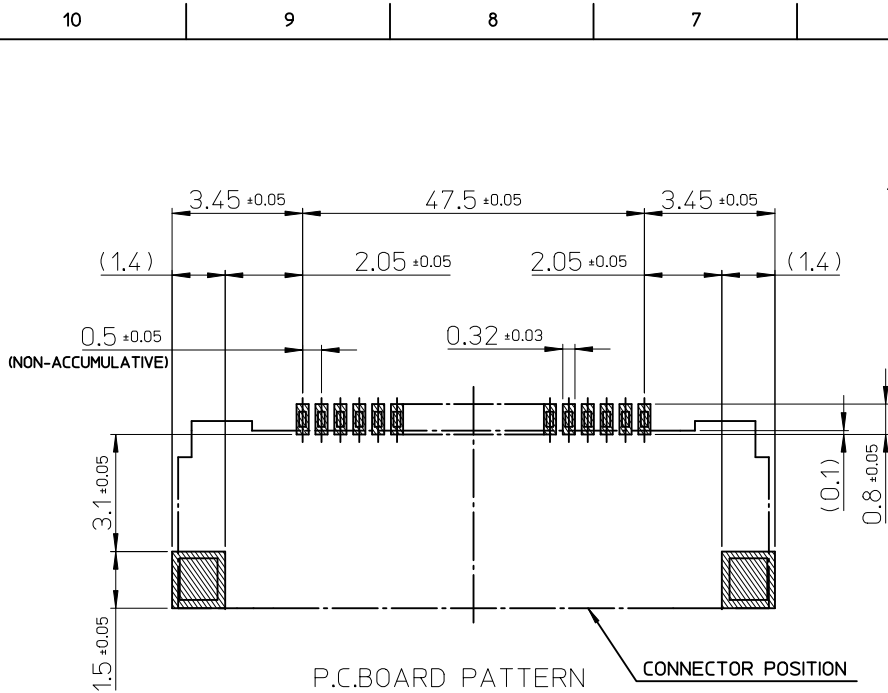


NEW RELEASED	QUALITY SYMBOLS
EC NO: KOR2017-0022	▽=0
DRW: KYHWANG 2016/10/19	◻=0
CHK: KSK IM 2016/10/19	
APPR: YSK IM02 2016/10/21	
REV	DESCRIPTION
A	

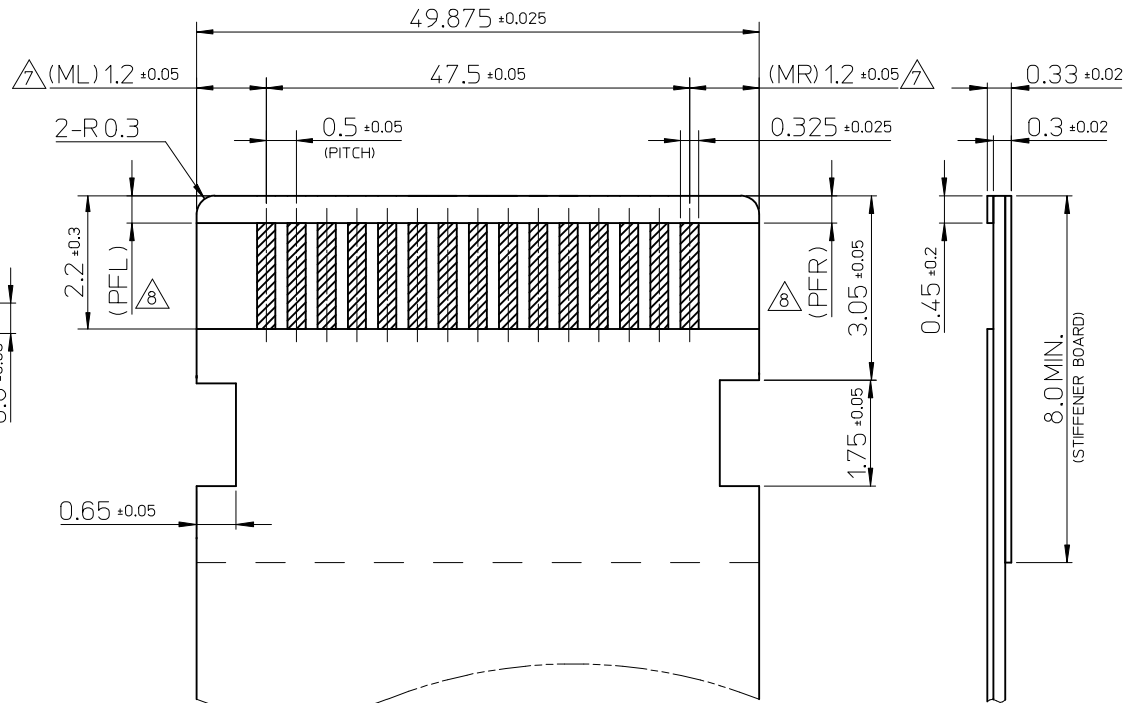
GENERAL TOLERANCES (UNLESS SPECIFIED)	
mm	INCH
4 PLACES ± ---	± ---
3 PLACES ± ---	± ---
2 PLACES ± 0.1	± ---
1 PLACE ± 0.15	± ---
ANGULAR ± 1 °	
DRAFT WHERE APPLICABLE MUST REMAIN WITHIN DIMENSIONS	

DIMENSION STYLE	
MM ONLY	
DRAWN BY	DATE
KYHWANG	2016/10/19
CHECKED BY	DATE
KSK IM	2016/10/19
APPROVED BY	DATE
YSK IM02	2016/10/21
MATERIAL NO.	
SEE TABLE	
SIZE	
A3	

SCALE	DESIGN UNITS	1042679617	96
1:1	METRIC	ORDER NO.	CKTS
TITLE		THIRD ANGLE PROJECTION	
0.5MM FFC/FPC FRONTFLIP NEW WIDE SLIM 96P, H=1.5 2POINT CONTACT, EAR-LOCK			
<b>molex</b>			
DOCUMENT NO.		SHEET NO.	
SD-104267-001		1 OF 3	
THIS DRAWING CONTAINS INFORMATION THAT IS PROPRIETARY TO MOLEX INCORPORATED AND SHOULD NOT BE USED WITHOUT WRITTEN PERMISSION			



P.C. BOARD PATTERN DIMENSION (REF.)  
(MOUNTING SIDE)



APPLICABLE FFC  
RECOMMENDED DIMENSION

**NOTES**

1. MATERIAL

HOUSING	LIQUID CRYSTAL POLYMER
	GLASS FILLED,UL94V-0(NATURAL)
ACTUATOR	POLYPHENYLENE SULFIDE
	GLASS FILLED,UL94V-0(BLACK)
TERMINAL	PHOSPHOR BRONZE
FITTING NAIL	PHOSPHOR BRONZE

2. PLATING

- TERMINAL : SELECTIVE GOLD[Au] OVER NICKEL[Ni] PLATING.  
CONTACT AREA : GOLD[Au] 0.1 MICROMETER MIN. OVER NICKEL[Ni] 1.0 MICROMETER MIN.(UNDER PLATING)
- SOLDER AREA : GOLD[Au] 0.05 MICROMETER MIN. OVER NICKEL[Ni] 1.0 MICROMETER MIN.(UNDER PLATING)
- FITTING NAIL : TIN[Sn] OVER NICKEL[Ni] PLATING.  
Tin[Sn] 1~3 MICROMETER.  
NICKEL[Ni] 1~3 MICROMETER (UNDER PLATING)

3. PRODUCT SPECIFICATION : PS-104267-001

PACKING SPECIFICATION : PK-104267-001

4. ACTUATOR IS CLOSED IN THE EMBOSSED PACKING

△ FITTING NAIL FOR PREVENTION OF PEELING OF PCB PATTERN.

6. COPLANARITY IS 0.08MAX.

△ I ML-MR I ≤0.05mm

△ I PFL-PFR I ≤0.2mm

ABOUT FPC/FFC

RECOMMENDED PUNCHER DIRECTION : FROM CONDUCTOR SIDE TO STIFFENER FILM SIDE.  
RECOMMENDED CONDUCTOR THICKNESS OF SOFT COPPER FOIL : 35 μm OR 76 μm.  
RATED CURRENT : 0.5A (THICKNESS : 35μm), 0.7A (THICKNESS : 76μm)

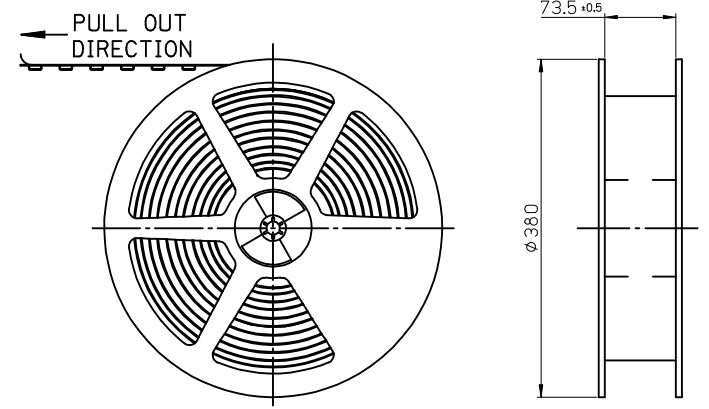
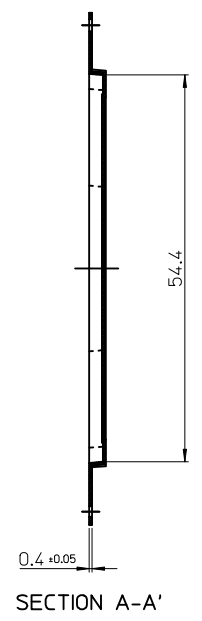
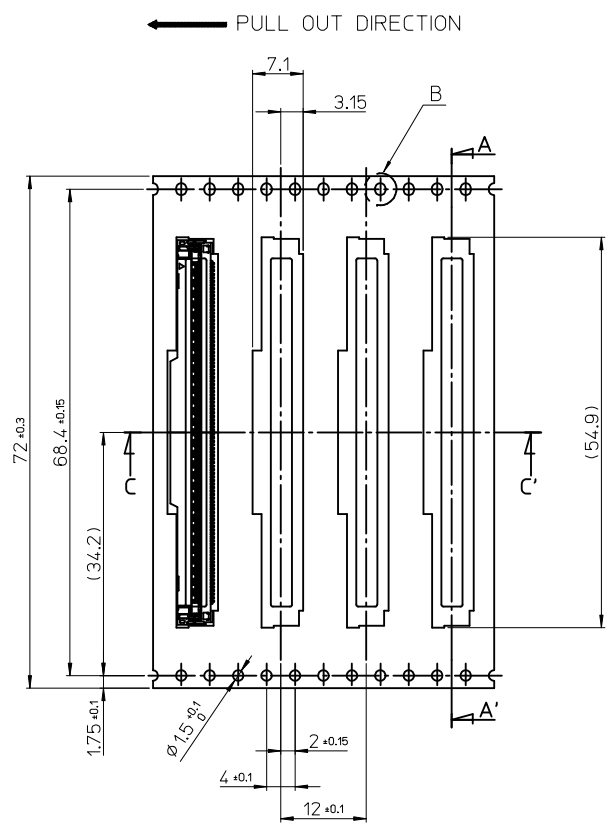
RECOMMENDED MATERIAL/THICKNESS.

STIFFENER FILM : POLYIMIDE  
BONDING AGENT : THERMOSETTING BONDING AGENT  
BASE FILM THICKNESS : 25μm

PLEASE PUT APPROPRIATE AMOUNT OF ADHESIVE ON THE CONTACT AREA BECAUSE THE EXTRA ADHESIVE MAY CAUSE THE DEFECT IN ELECTRICAL CONTINUITY.

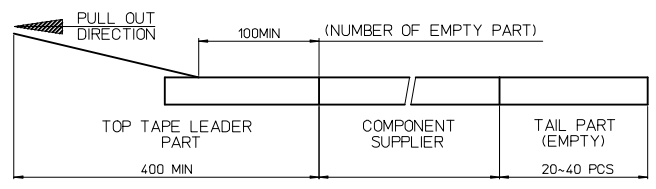
1042679617	96
ORDER NO.	CKTS

<p><b>NEW RELEASED</b> EC NO: KOR2017-0022 DRW: KYHWANG 2016/10/19 CHK: KSK IM 2016/10/19 APPR: YSK IM02 2016/10/21</p>	<p>QUALITY SYMBOLS ▽=0 ◻=0</p>	GENERAL TOLERANCES (UNLESS SPECIFIED)		DIMENSION STYLE MM ONLY		SCALE 1:1	DESIGN UNITS METRIC	THIRD ANGLE PROJECTION		
		mm	INCH	DRAWN BY KYHWANG	DATE 2016/10/19	TITLE 0.5MM FFC/FPC FRONTFLIP NEW WIDE SLIM 96P, H=1.5 2POINT CONTACT, EAR-LOCK				
		4 PLACES ± ---	± ---	CHECKED BY KSK IM	DATE 2016/10/19	<p><b>molex</b></p>				
		3 PLACES ± ---	± ---	APPROVED BY YSK IM02	DATE 2016/10/21					
ANGULAR ± 1 °		DRAFT WHERE APPLICABLE MUST REMAIN WITHIN DIMENSIONS		MATERIAL NO. SEE TABLE		DOCUMENT NO. SD-104267-001		SHEET NO. 2 OF 3		
<p>THIS DRAWING CONTAINS INFORMATION THAT IS PROPRIETARY TO MOLEX INCORPORATED AND SHOULD NOT BE USED WITHOUT WRITTEN PERMISSION</p>										

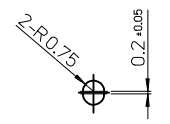


PLASTIC BOBBIN

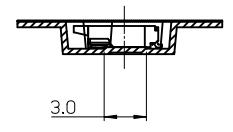
- NOTES  
1. QUANTITY OF CONNECTORS : 3000PCS/REEL  
2. LEAD LENGTH



3. THIS PRODUCT IS HALOGEN FREE (LV.2)



DETAIL D  
(SCALE 4:1)



SECTION C-C'  
(SCALE 4:1)

1042679617	96
MATERIAL NO.	CIRCUIT

<p><b>NEW RELEASED</b> EC NO: KOR2017-0022 DRW: KYHWANG 2016/10/19 CHK: SKIM 2016/10/19 APPR: YSKIM02 2016/10/21</p>	QUALITY SYMBOLS	<p>GENERAL TOLERANCES (UNLESS SPECIFIED)</p> <table border="1"> <tr> <th></th> <th>mm</th> <th>INCH</th> </tr> <tr> <td>4 PLACES</td> <td>± ---</td> <td>± ---</td> </tr> <tr> <td>3 PLACES</td> <td>± ---</td> <td>± ---</td> </tr> <tr> <td>2 PLACES</td> <td>± 0.1</td> <td>± ---</td> </tr> <tr> <td>1 PLACE</td> <td>± 0.15</td> <td>± ---</td> </tr> <tr> <td colspan="3">ANGULAR ± 1 °</td> </tr> </table>		mm	INCH	4 PLACES	± ---	± ---	3 PLACES	± ---	± ---	2 PLACES	± 0.1	± ---	1 PLACE	± 0.15	± ---	ANGULAR ± 1 °			DIMENSION STYLE	SCALE	DESIGN UNITS	<p>TITLE <b>0.5MM FFC/FPC FRONTFLIP NEW WIDE SLIM 96P, H=1.5 2POINT CONTACT, EAR-LOCK</b></p> <p><b>molex</b></p>
			mm	INCH																				
	4 PLACES		± ---	± ---																				
	3 PLACES		± ---	± ---																				
2 PLACES	± 0.1	± ---																						
1 PLACE	± 0.15	± ---																						
ANGULAR ± 1 °																								
<p>▽=0 ▽=0</p>	MM ONLY	1:1	METRIC																					
<p>DRAFT WHERE APPLICABLE MUST REMAIN WITHIN DIMENSIONS</p>	<p>DRAWN BY: KYHWANG DATE: 2016/10/19</p> <p>CHECKED BY: SKIM DATE: 2016/10/19</p> <p>APPROVED BY: YSKIM02 DATE: 2016/10/21</p>	<p>THIRD ANGLE PROJECTION</p>																						
<p>SIZE A2</p>	<p>SEE TABLE</p>	<p>DOCUMENT NO. SD-104267-001</p>	<p>SHEET NO. 3 OF 3</p>																					
<p>THIS DRAWING CONTAINS INFORMATION THAT IS PROPRIETARY TO MOLEX INCORPORATED AND SHOULD NOT BE USED WITHOUT WRITTEN PERMISSION</p>																								