

6

5

4

3

2

1

D

D

C

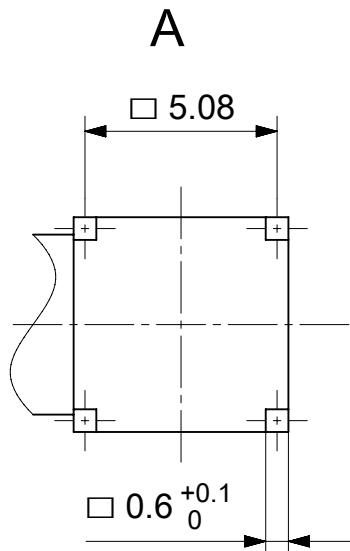
C

B

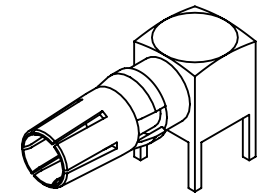
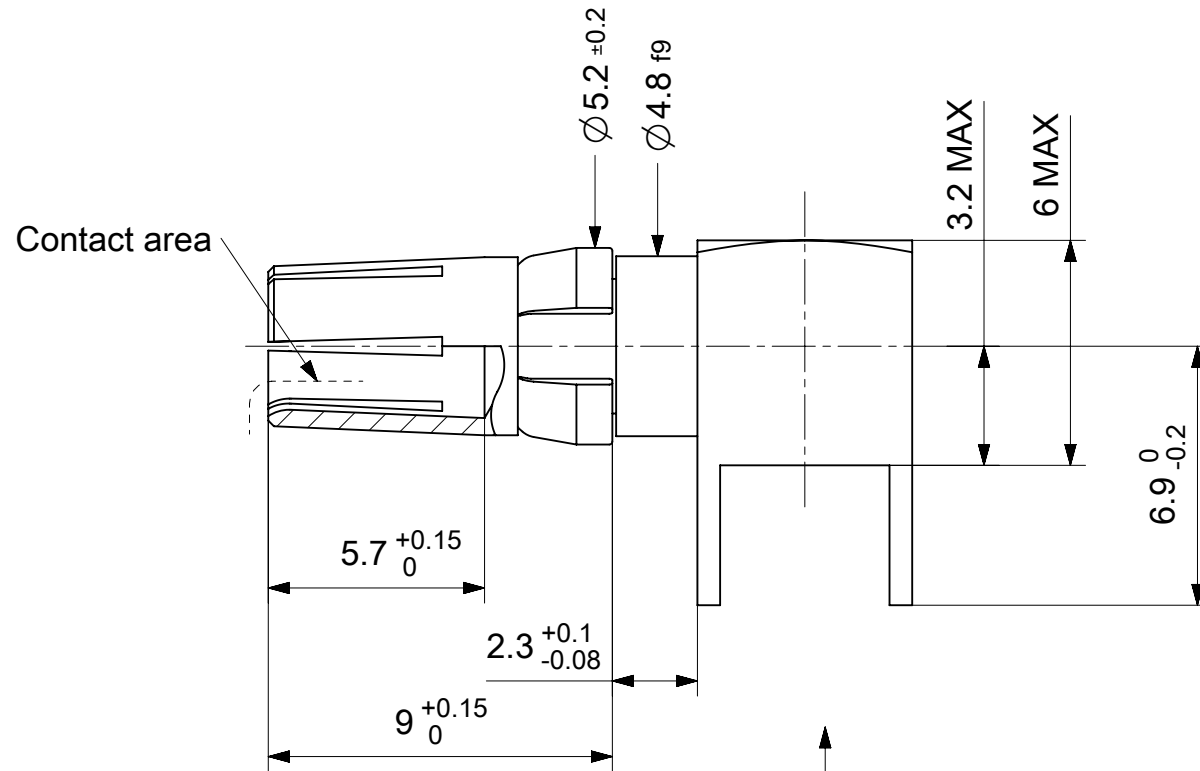
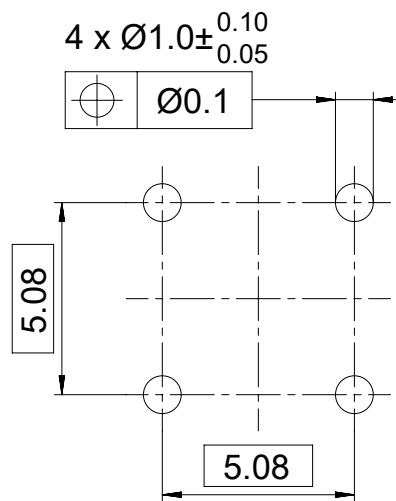
B

A

A



PCB-LAYOUT



2:1

RoHS compliant
by exemption

1727040190	FMP012S104	104
1731120672	FMP012S115	115
Material Number	FCT Part Number	Material + Finish See extra sheet

UNLESS OTHERWISE SPECIFIED DIMENSIONS FOR REFERENCE ONLY				REPLACEMENT FOR DOCUMENT NUMBER: FMP012S			
THIS DRAWING CONTAINS INFORMATION THAT IS PROPRIETARY TO MOLEX ELECTRONIC TECHNOLOGIES, LLC AND SHOULD NOT BE USED WITHOUT WRITTEN PERMISSION							
FUNCTIONAL SYMBOLS	DIMENSION UNITS	SCALE	CURRENT REV DESC:				
FA = 0	mm	5:1	EC NO: 686935 DRWN: FVETTER 2021/11/29 CHK'D: MTEUBEL 2021/11/30 APPR: MTEUBEL 2021/11/30 INITIAL REVISION: DRWN: VLOKESHA 2021/04/01 APPR: MTEUBEL 2021/11/25				
FE = 0	GENERAL TOLERANCES (UNLESS SPECIFIED)						
FP = 0	ANGULAR TOL ± °						
DIVISIONAL SYMBOLS	4 PLACES	±					
	3 PLACES	±					
	2 PLACES	±	PRODUCT CUSTOMER DRAWING				
	1 PLACE	±	DOCUMENT NUMBER		DOC TYPE	DOC PART	REVISION
	0 PLACES	±	1727040190		PSD	000	A1
DRAFT WHERE APPLICABLE MUST REMAIN WITHIN DIMENSIONS		FIRST ANGLE PROJECTION	DRAWING	SERIES	MATERIAL NUMBER	CUSTOMER	SHEET NUMBER
			A4-SIZE	172704	SEE TABLE	GENERAL MARKET	1 OF 1

DOCUMENT STATUS	P1	RELEASE DATE	2021/11/30	09:45:00
-----------------	----	--------------	------------	----------

6

5

4

3

2

1