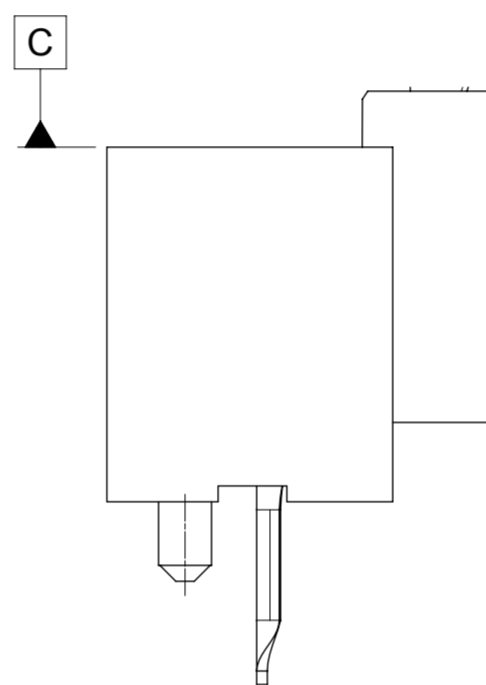
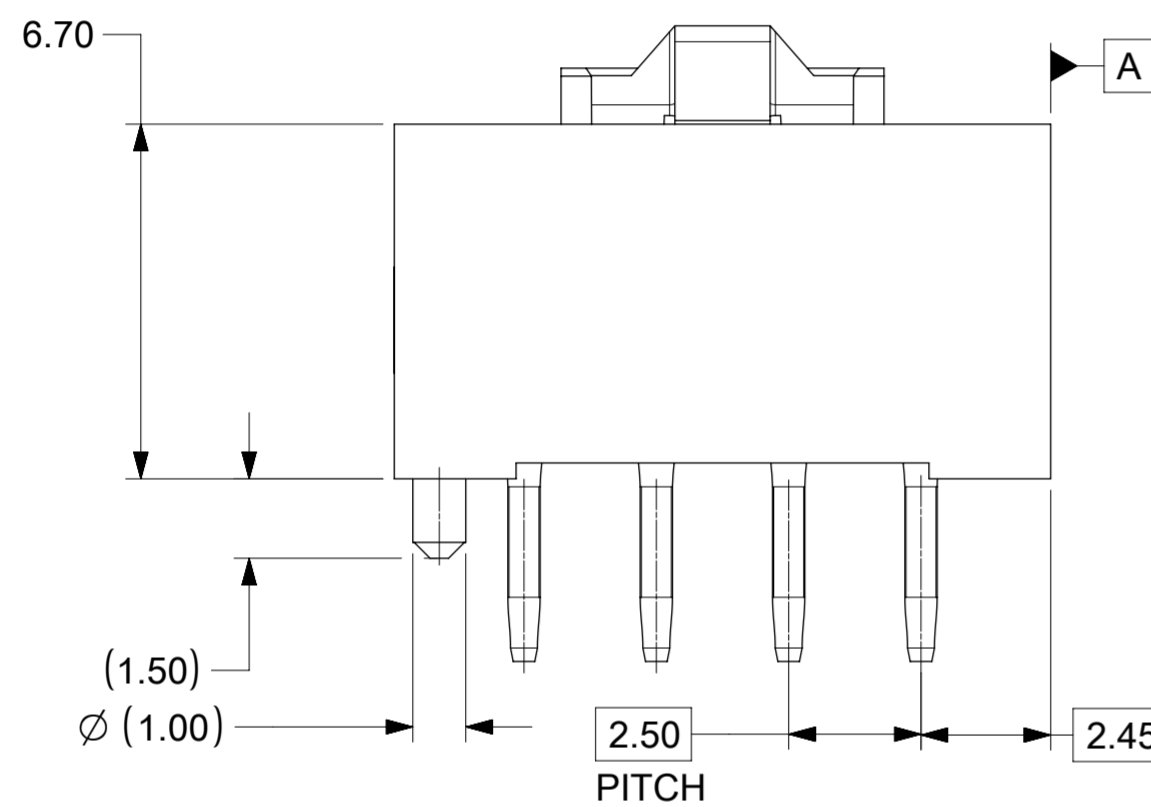
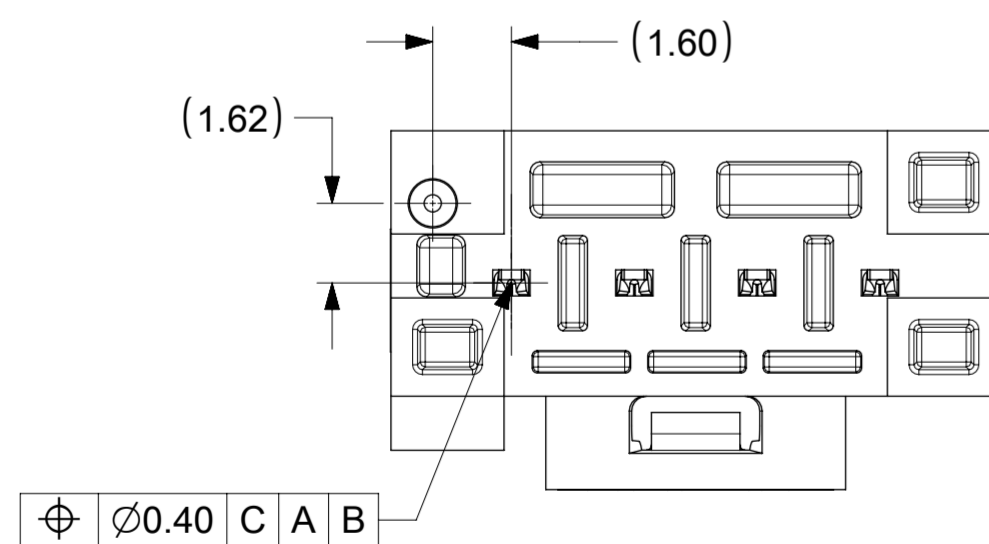
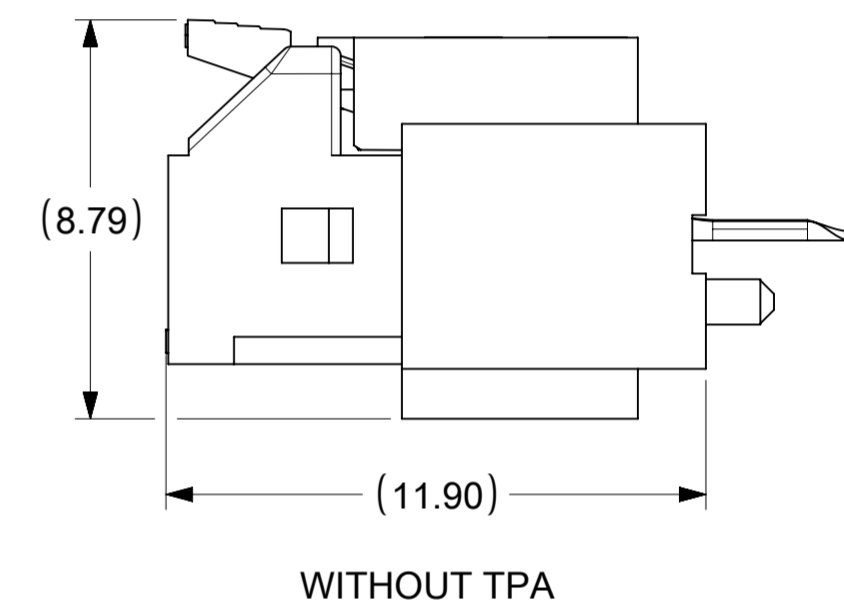
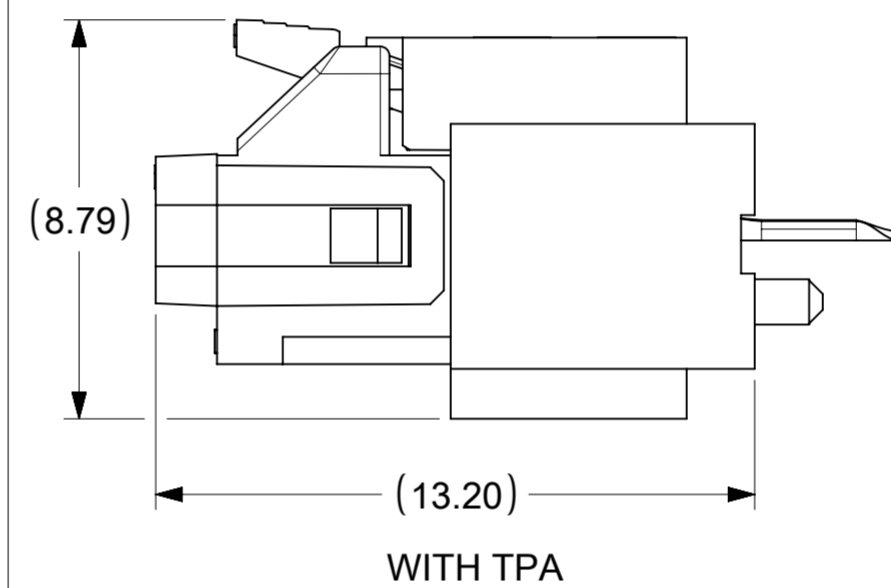


ISOMETRIC VIEW FOR
4 CKT HEADER ASSEMBLY



ASSEMBLY DIMENSIONS



CKT SIZE	HEADER ASSEMBLY P/N	DIM. B
2	2078430002	8.00
3	2078430003	9.90
4	2078430004	12.40
5	2078430005	14.90
6	2078430006	17.40
7	2078430007	19.90
8	2078430008	22.40

- NOTES:
 1. MATERIAL:
 a. HOUSING: LIQUID CRYSTAL POLYMER, RATED UL 94V-0, COLOUR - BLACK
 b. TERMINAL: BRASS ALLOY PLATING: TIN OVER NICKEL OVERALL.
 2. PRODUCT SPECIFICATION: 2079020001-PS
 3. PACKAGING SPECIFICATION: 2078430000-PK
 4. COSMETIC SPECIFICATION: PS-45499-002 CLASS B

SYMBOLS	THIS DRAWING CONTAINS INFORMATION THAT IS PROPRIETARY TO MOLEX ELECTRONIC TECHNOLOGIES, LLC AND SHOULD NOT BE USED WITHOUT WRITTEN PERMISSION		CURRENT REV DESC:	
▽ = 0	DIMENSION UNITS	SCALE		
▽ = 0	mm	6:1		
▽ = 0	GENERAL TOLERANCES (UNLESS SPECIFIED)			
▽ = 0	ANGULAR TOL	± °		
▽ = 0	4 PLACES	±	EC NO: 706742	
▽ = 0	3 PLACES	±	DRWN: SHRUTJ	2022/04/20
▽ = 0	2 PLACES	± 0.25	CHK'D: SHRUTJ	2022/05/13
▽ = 0	1 PLACE	± 0.3	APPR: ISHWARG	2022/05/13
▽ = 0	0 PLACES	±	INITIAL REVISION:	
▽ = 0	DRAFT WHERE APPLICABLE MUST REMAIN WITHIN DIMENSIONS		DRWN: SUDAYGUNAGI	2018/06/19
▽ = 0	THIRD ANGLE PROJECTION		APPR: ISHWARG	2019/04/16
	DRAWING	SERIES	DOCUMENT NUMBER	
	A2-SIZE	207843	2078430004-SD	
			DOC TYPE	DOC PART
			PSD	000
			REVISION	
			A5	
			SHEET NUMBER	
			1 OF 2	

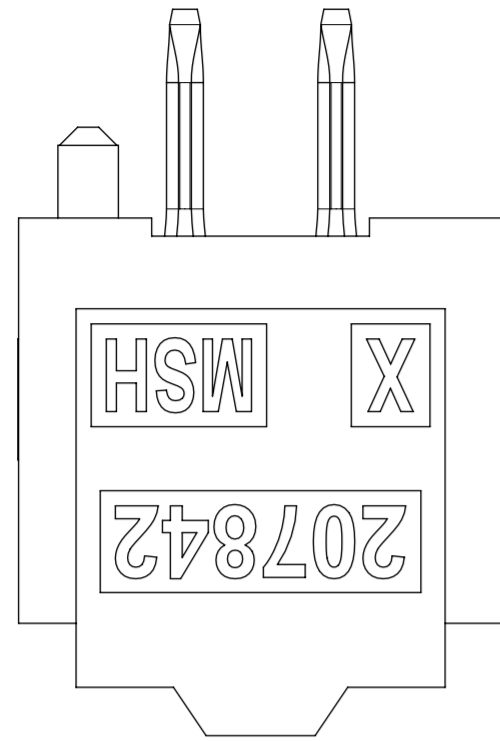


HEADER ASSEMBLY FOR KK PLUS 250

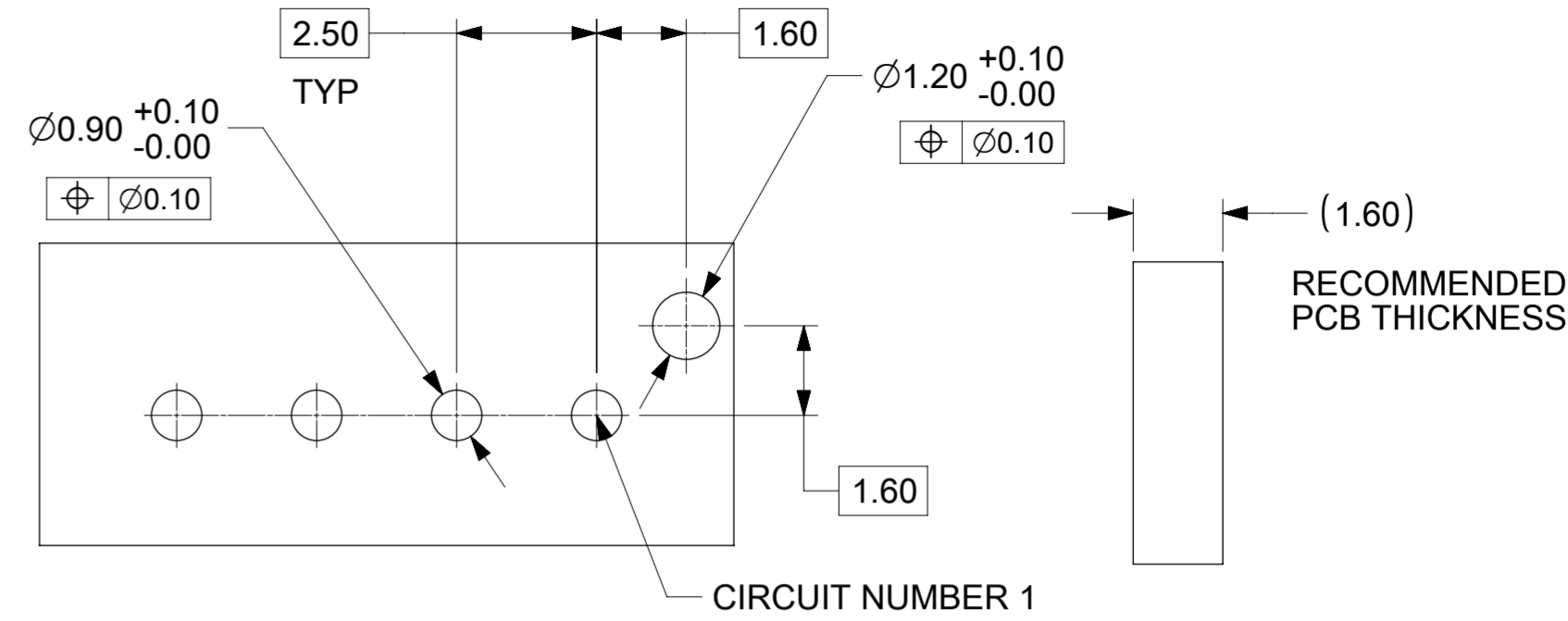
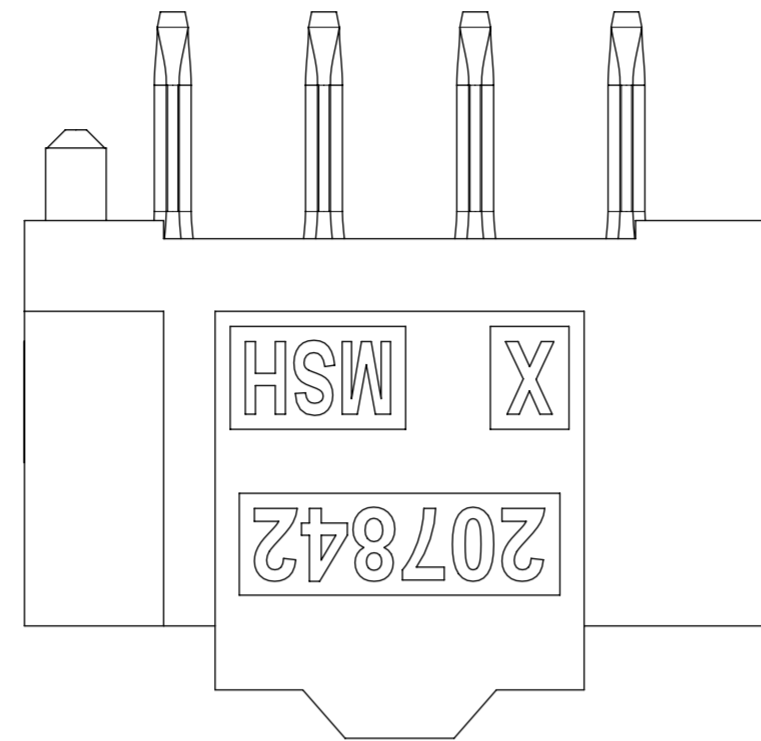
PRODUCT CUSTOMER DRAWING

POLARIZATION

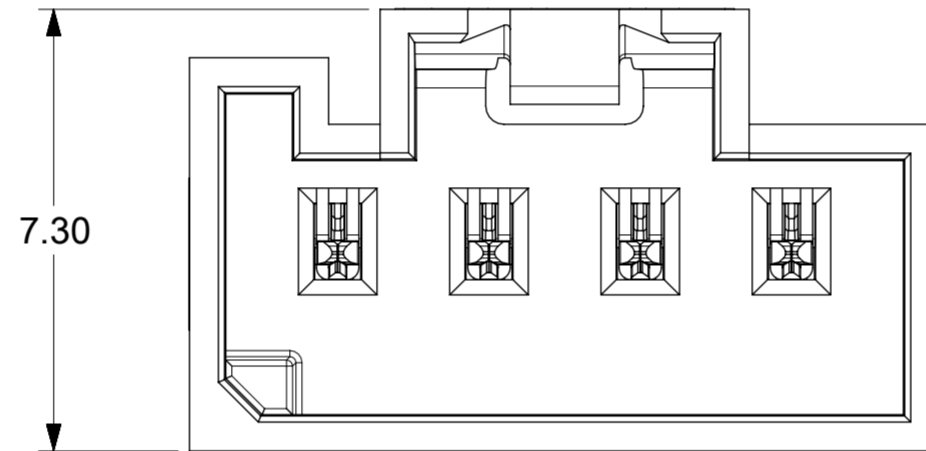
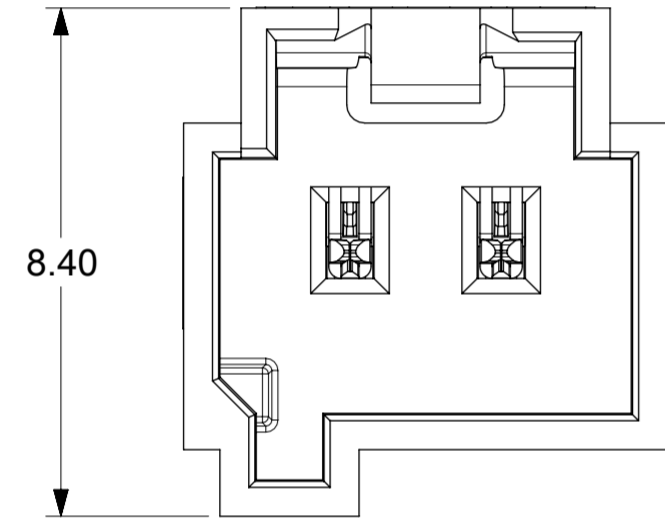
2 & 3CKT



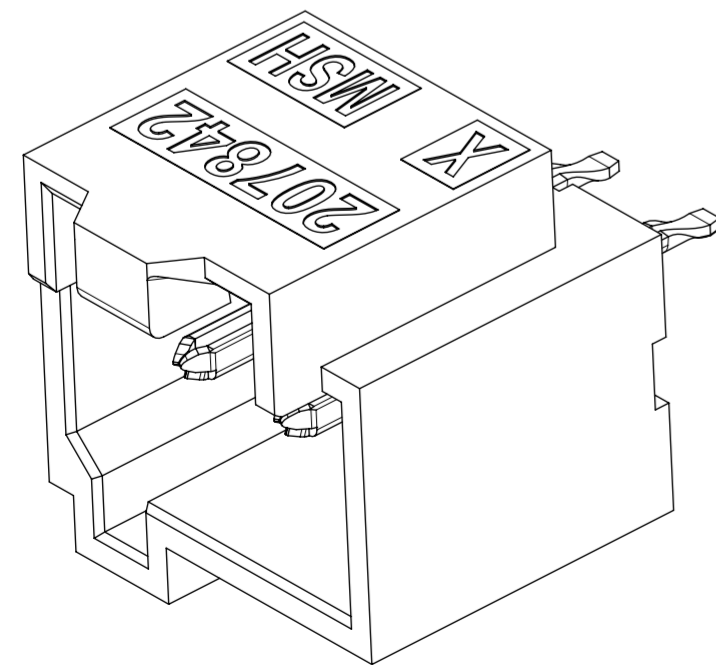
4 CKT TO 10 CKT



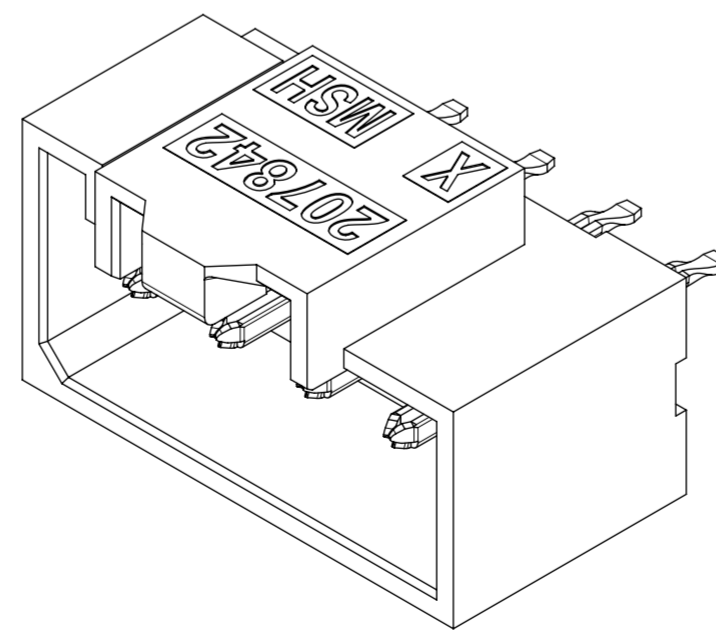
PCB LAYOUT FOR 4CKT HEADER ASSEMBLY
PCB LAYOUT VIEWED FROM THE MATING SIDE



ISOMETRIC VIEW FOR 2 & 3CKT



ISOMETRIC VIEW FOR 4 CKT TO 10 CKT



SYMBOLS ▽ = 0 ▽ = 0 ▽ = 0 ▽ = 0 ▽ = 0 ▽ = 0 ▽ = 0 ▽ = 0 ▽ = 0 ▽ = 0	THIS DRAWING CONTAINS INFORMATION THAT IS PROPRIETARY TO MOLEX ELECTRONIC TECHNOLOGIES, LLC AND SHOULD NOT BE USED WITHOUT WRITTEN PERMISSION		CURRENT REV DESC:		 HEADER ASSEMBLY FOR KK PLUS 250 PRODUCT CUSTOMER DRAWING			
	DIMENSION UNITS	SCALE	EC NO: 706742					
	mm	8:1	DRWN: SHRUTJ 2022/04/20					
	GENERAL TOLERANCES (UNLESS SPECIFIED)		CHK'D: SHRUTJ 2022/05/13					
	ANGULAR TOL ± °		APPR: ISHWARG 2022/05/13					
4 PLACES ±	INITIAL REVISION:		DRWN: SUDAYGUNAGI 2018/06/19	DOCUMENT NUMBER	DOC TYPE	DOC PART	REVISION	
3 PLACES ±	DRWN: SUDAYGUNAGI		2018/06/19	2078430004-SD	PSD	000	A5	
2 PLACES ± 0.25	APPR: ISHWARG		2019/04/16					
1 PLACE ± 0.3	DRAFT WHERE APPLICABLE MUST REMAIN WITHIN DIMENSIONS		THIRD ANGLE PROJECTION	DRAWING	SERIES	MATERIAL NUMBER	CUSTOMER	SHEET NUMBER
0 PLACES ±			A2-SIZE	207843				2 OF 2