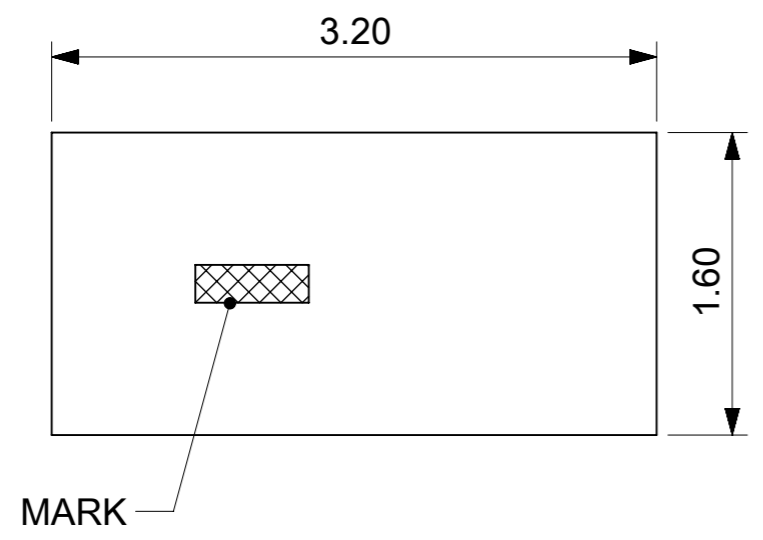
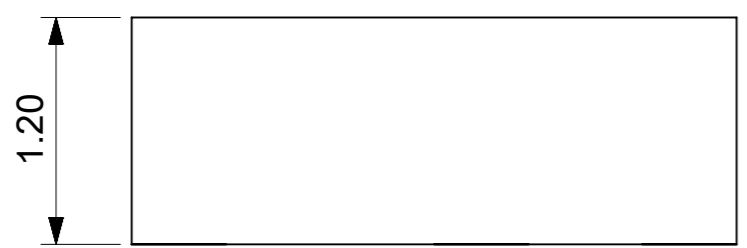


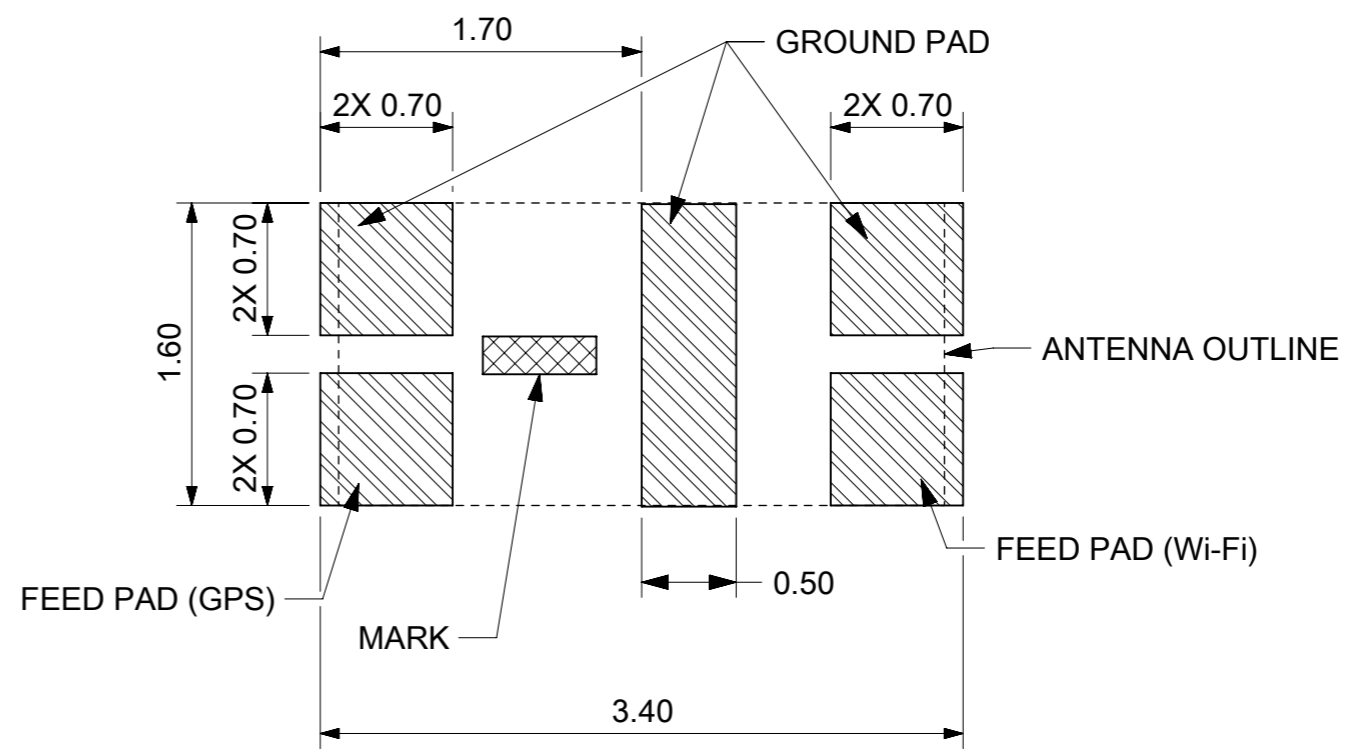
REV	DATE	CHANGE HISTORY
A	2020/12/23	FRIST RELEASE



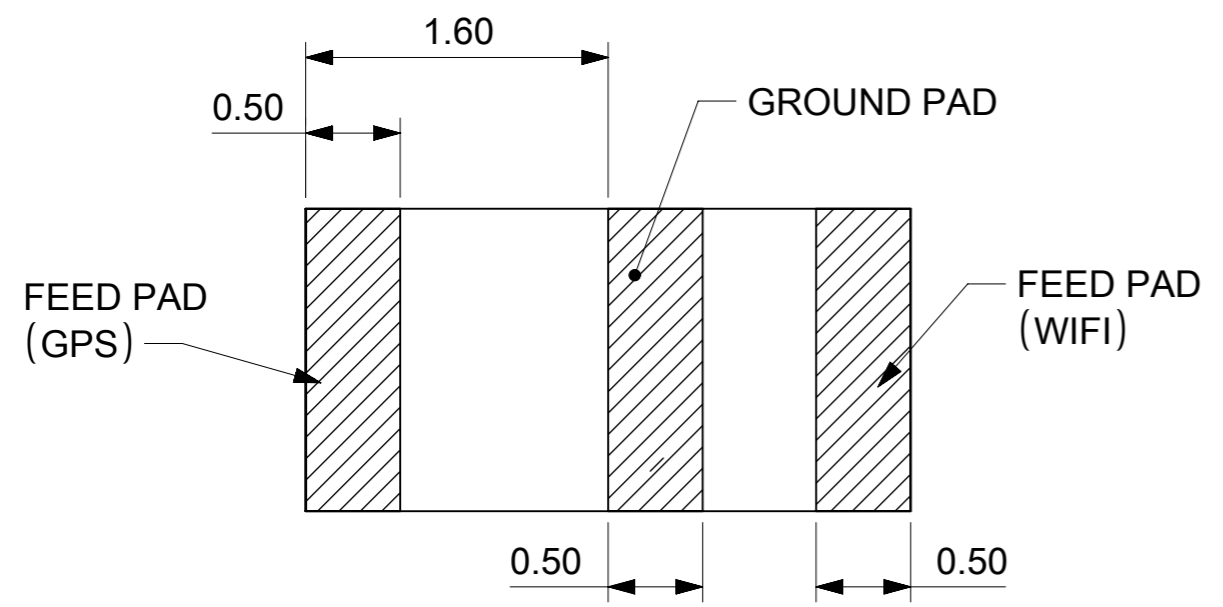
TOP VIEW



SIDE VIEW



RECOMMENDED PADS LAYOUT ON PCB



BOTTOM VIEW

NOTES:

1. MATERIAL: CERAMIC
2. SOLDER PAD HATCHED AREA ARE SILVER AND NI/TIN PLATING LAYER;
3. MARK:INK MARK (COLOR:BLUE)
4. PACKAGE SPEC. REFER TO PK OF 2169420001.
5. PRODUCT SPEC. REFER TO PS OF 2169420001.
6. APPLICATION SPEC. REFER TO AS OF 2169420001.

THIS DRAWING CONTAINS INFORMATION THAT IS PROPRIETARY TO MOLEX ELECTRONIC TECHNOLOGIES, LLC AND SHOULD NOT BE USED WITHOUT WRITTEN PERMISSION									
DIMENSION UNITS	SCALE	CURRENT REV DESC:							
mm	1:1								
GENERAL TOLERANCES (UNLESS SPECIFIED)		EC NO: 660310			WIFI GNSS CHIP COMBO ANTENNA				
ANGULAR TOL ± °		DRWN: KCHENG06 2020/12/23							
4 PLACES ±		CHK'D: HORACM1 2021/04/19			PRODUCT CUSTOMER DRAWING				
3 PLACES ± 0.15		APPR: HORACM1 2021/04/19							
2 PLACES ± 0.2		INITIAL REVISION:			DOCUMENT NUMBER: 2169420001				
1 PLACE ± 0.25		DRWN: KCHENG06 2020/12/23							
0 PLACES ± 0.3		APPR: HORACM1 2021/04/19			DOC TYPE: PSD DOC PART: 000 REVISION: A				
DRAFT WHERE APPLICABLE MUST REMAIN WITHIN DIMENSIONS		THIRD ANGLE PROJECTION							
		DRAWING: A3-SIZE SERIES: 216942							