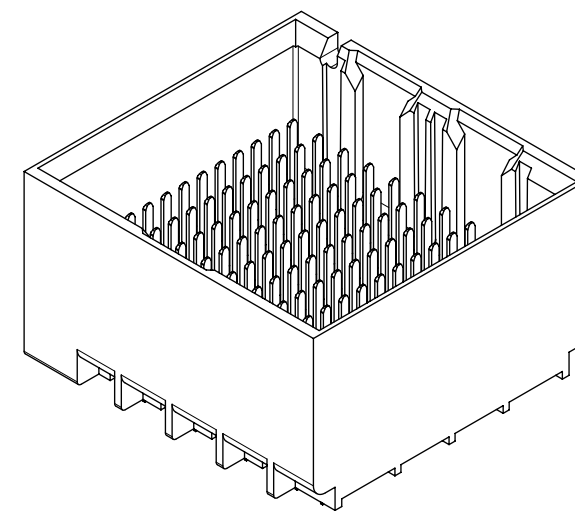


- NOTES:**
1. MATERIALS: HOUSING - LIQUID CRYSTAL POLYMER (LCP)
GLASS-FILLED, UL94V-0
TERMINALS - HIGH PERFORMANCE COPPER ALLOY
 2. FINISH: 10 μINCH MIN GOLD IN CONTACT AREA.
SELECTIVE MATE TIN ON PCB TAILS, NICKEL OVERALL.
 3. REFER TO MOLEX PRODUCT SPECIFICATION PS-76060-999 FOR PERFORMANCE SPECIFICATIONS AND ADDITIONAL PCB INFORMATION.
 4. THIS PART CONFORMS TO CLASS B REQUIREMENTS OF MOLEX COSMETIC SPEC PS-45499-002.
 5. PARTS PACKAGED PER PK-70873-7701.
 6. SEE SHEETS 2 & 3 FOR PART NUMBERS AND BOARD RELATIONSHIPS.
 7. MATES WITH IMPACT DC SERIES NO. 76160.
 8. REFER TO MOLEX PCB ROUTING GUIDE AS-76060-990 FOR ANTIPAD AND ROUTING RECOMMENDATIONS.
 9. "THESE DIMENSIONS REPRESENT THE AREA NEEDED TO ACCOMMODATE CONNECTOR INSERTION AND REPAIR ON THE PC BOARD. THIS IS REFERRED TO AS THE "CONNECTOR KEEP OUT ZONE" AND DOES NOT REPRESENT THE ACTUAL PERIMETER OF THE CONNECTOR. WHEN LAYING OUT A PC BOARD FOR CONNECTORS STACKED TOGETHER. USE A 1.9mm PROGRESSION."

QUALITY SYMBOLS		THIS DRAWING CONTAINS INFORMATION THAT IS PROPRIETARY TO MOLEX ELECTRONIC TECHNOLOGIES, LLC AND SHOULD NOT BE USED WITHOUT WRITTEN PERMISSION		DIMENSION UNITS		SCALE			
▽ = 0	▽ = 0	GENERAL TOLERANCES (UNLESS SPECIFIED)		mm		4:1			
▽ = 0	▽ = 0	ANGULAR TOL ± 0.5 °		DRWN BY		DATE		IMPACT 4 PAIR BACKPLANE UNGUIDED ASSEMBLY SALES DRAWING	
▽ = 0	▽ = 0	4 PLACES ±		GES		2012/05/22			
▽ = 0	▽ = 0	3 PLACES ±		CHK'D BY		DATE		PRODUCT CUSTOMER DRAWING	
▽ = 0	▽ = 0	2 PLACES ± 0.13		PRAMASWAMY		2017/10/17			
▽ = 0	▽ = 0	1 PLACE ± 0.25		APPR BY		DATE		SERIES: 171294 MATERIAL NUMBER: SEE CHART CUSTOMER: GENERAL MARKET	
▽ = 0	▽ = 0	0 PLACES ±		RNELSON		2012/06/04			
□ = 0	■ = 0	DRAFT WHERE APPLICABLE MUST REMAIN WITHIN DIMENSIONS		DRAWING SIZE		THIRD ANGLE PROJECTION		DOCUMENT NUMBER: SD-171294-0001 DOC TYPE: PSD DOC PART: 001 SHEET NUMBER: 1 OF 3	
▽ = 0	▽ = 0	MIGRATED TO NX		C					
EC NO: 123322 DRWN: NSRVATSAHS CHKD: PRAMASWAMY APPR: PRAMASWAMY		2017/10/06 2017/10/17 2017/10/18		B1					

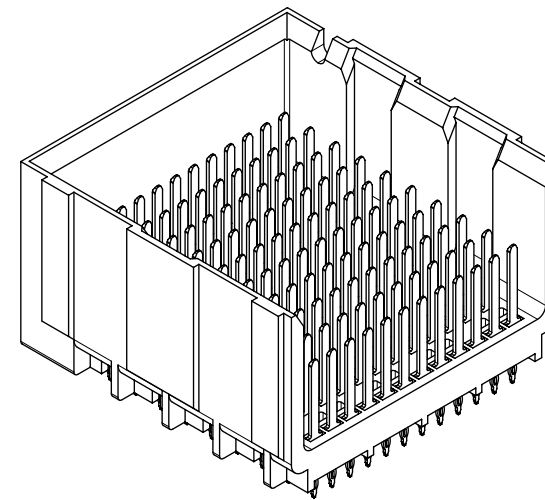
PART NUMBER CHART

MATERIAL NUMBER	# OF COLUMNS	# OF DIFF PAIR	DIM "A"	DIM "B"	DUAL END WALL OPTION
171294-132*	6	24	14.1	9.50	
171294-182*	8	32	17.9	13.30	
171294-112*	10	40	21.7	17.10	
171294-162*	16	64	33.1	28.50	



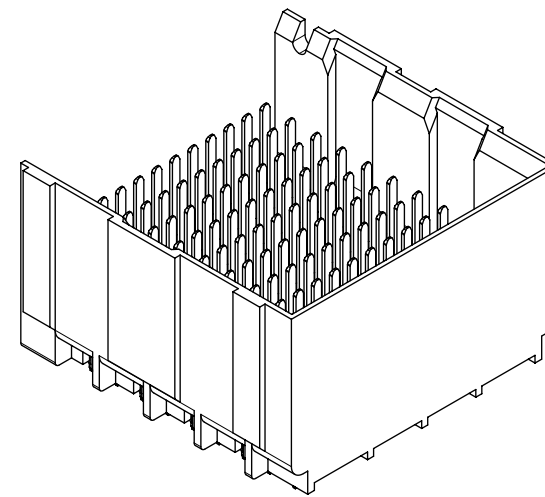
DUAL END
WALL OPTION

MATERIAL NUMBER	# OF COLUMNS	# OF DIFF PAIR	DIM "A"	DIM "B"	LEFT END WALL OPTION
171294-131*	6	24	12.7	9.50	
171294-181*	8	32	16.5	13.30	
171294-111*	10	40	20.3	17.10	
171294-161*	16	64	31.7	28.50	



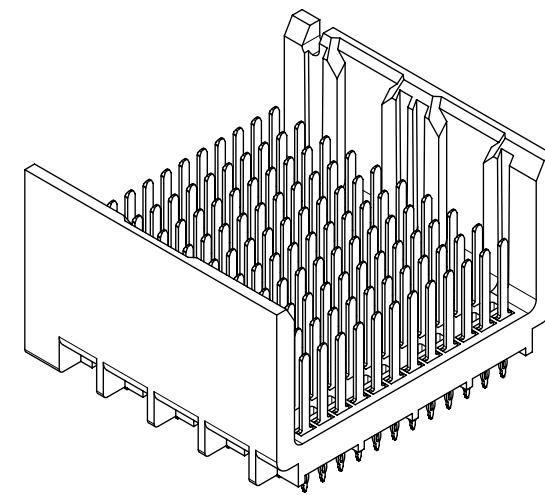
LEFT END
WALL OPTION

MATERIAL NUMBER	# OF COLUMNS	# OF DIFF PAIR	DIM "A"	DIM "B"	RIGHT END WALL OPTION
171294-133*	6	24	12.7	9.50	
171294-183*	8	32	16.5	13.30	
171294-113*	10	40	20.3	17.10	
171294-163*	16	64	31.7	28.50	



RIGHT END
WALL OPTION

MATERIAL NUMBER	# OF COLUMNS	# OF DIFF PAIR	DIM "A"	DIM "B"	OPEN WALL OPTION
171294-130*	6	24	11.3	9.50	
171294-180*	8	32	15.1	13.30	
171294-110*	10	40	18.9	17.10	
171294-160*	16	64	30.4	28.50	



OPEN
WALL OPTION

PART NUMBER LOGIC

171294- * * * *

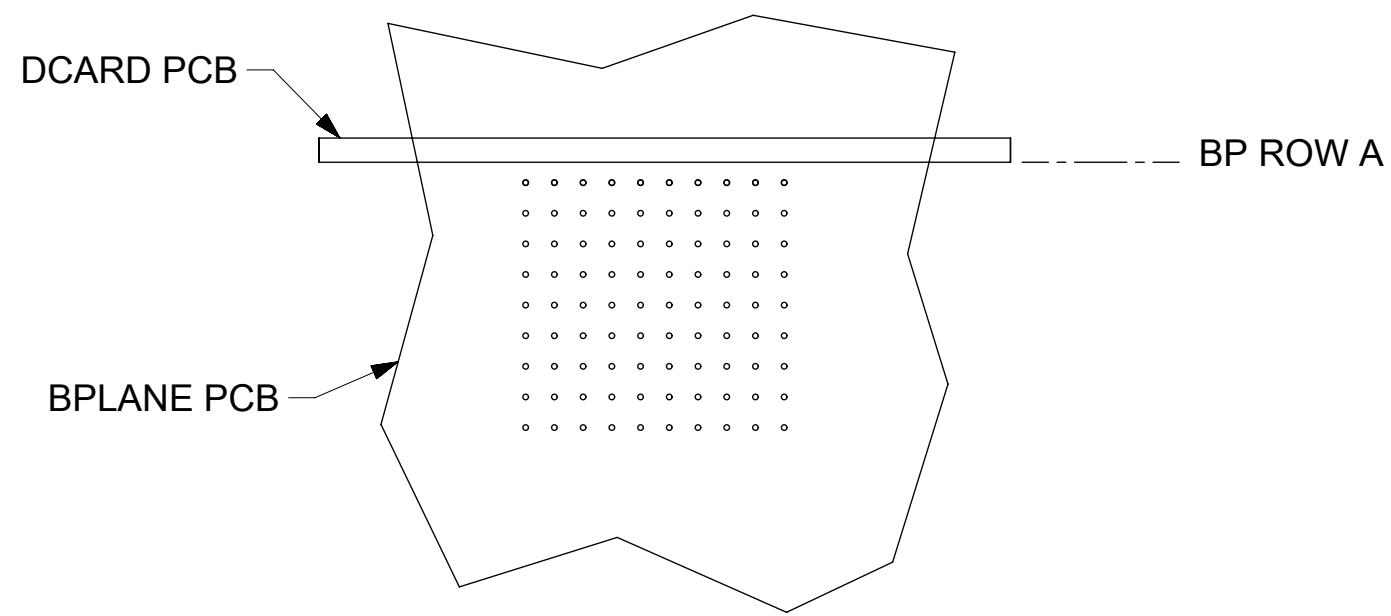
MODULE TYPE
1 = UNGUIDED, MATTE TIN

OF COLUMNS
1 = 10 COL
3 = 6 COL
6 = 16 COL
8 = 8 COL

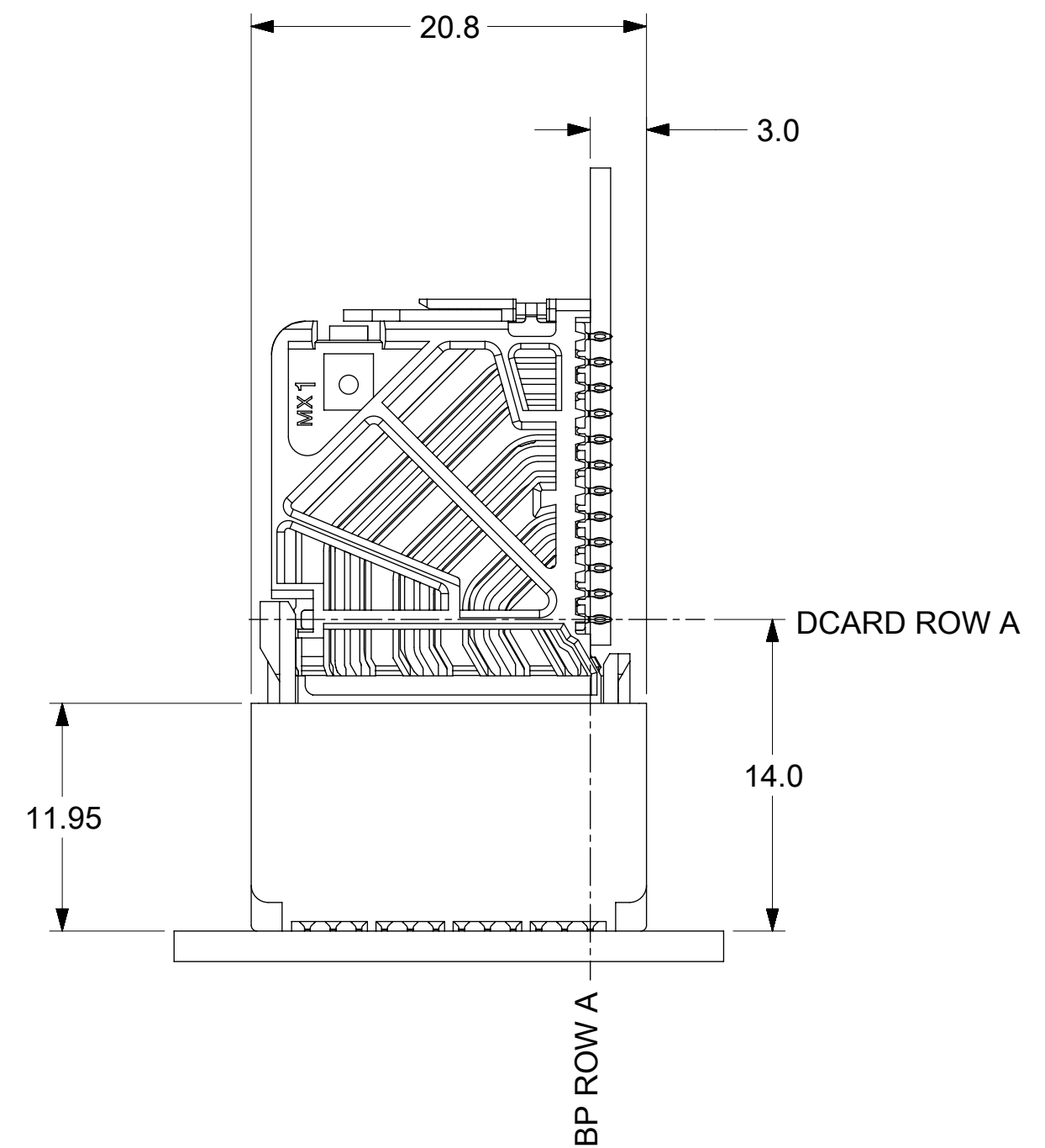
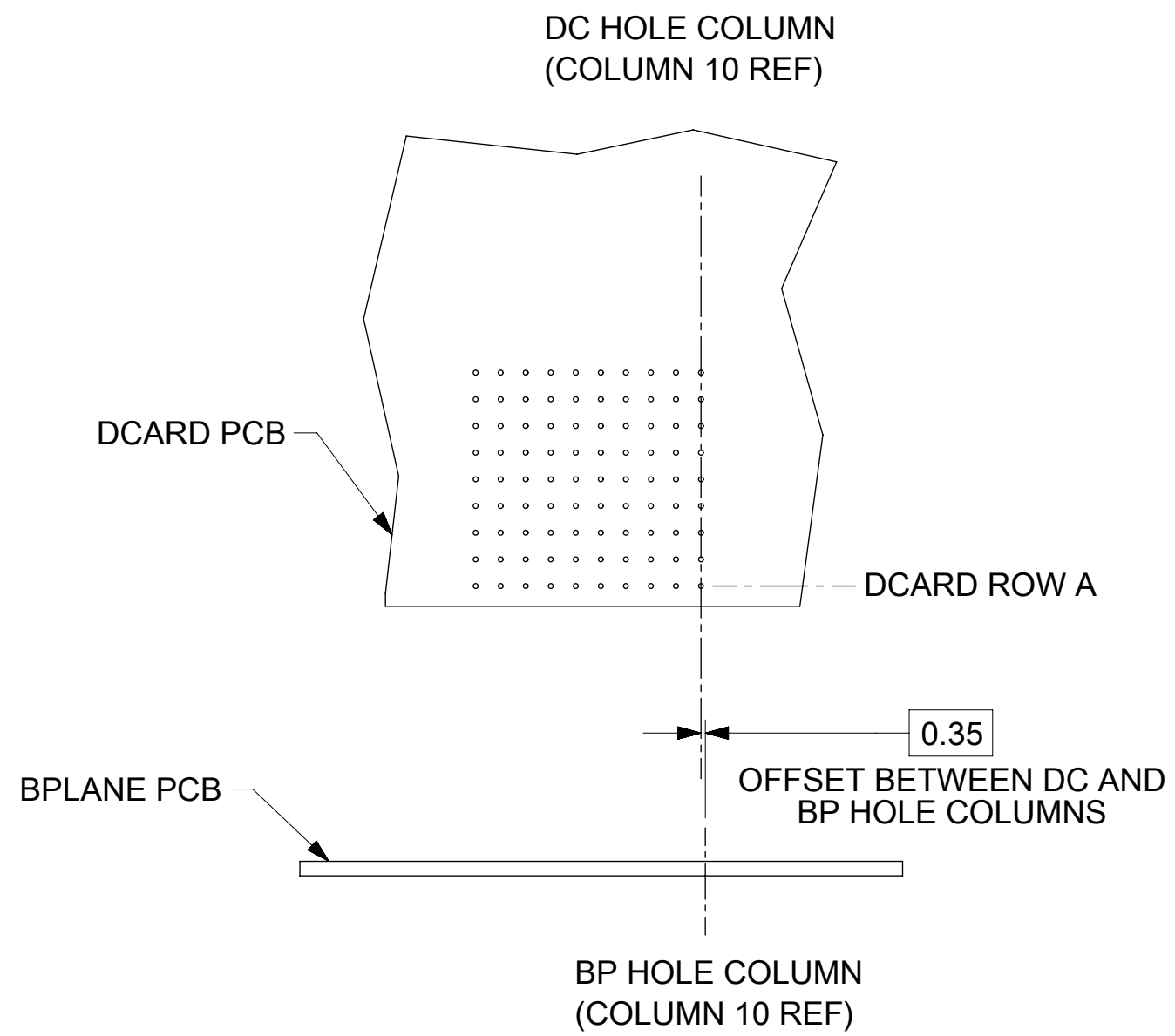
PIN LENGTH (P)
3 = 4.50 (SHORT COMPLIANT, 0.46±0.05 PTH)
4 = 4.90 (SHORT COMPLIANT, 0.46±0.05 PTH)
5 = 5.50 (SHORT COMPLIANT, 0.46±0.05 PTH)
6 = 4.50 (MICRO COMPLIANT, 0.39±0.05 PTH)
7 = 4.90 (MICRO COMPLIANT, 0.39±0.05 PTH)
8 = 5.50 (MICRO COMPLIANT, 0.39±0.05 PTH)

END WALL OPTIONS
0 = OPEN ENDS
1 = LEFT END WALL
2 = DUAL END WALL
3 = RIGHT END WALL

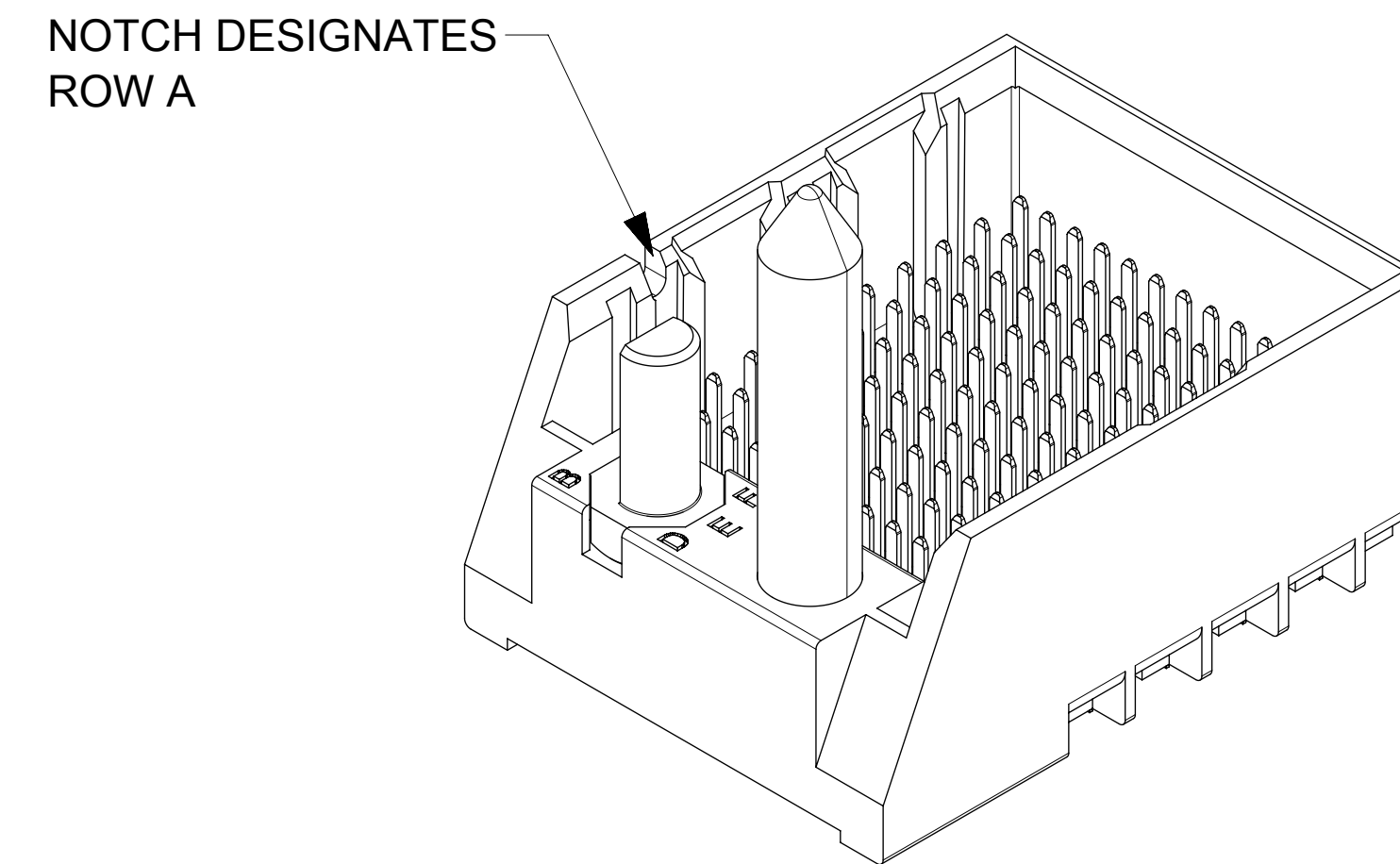
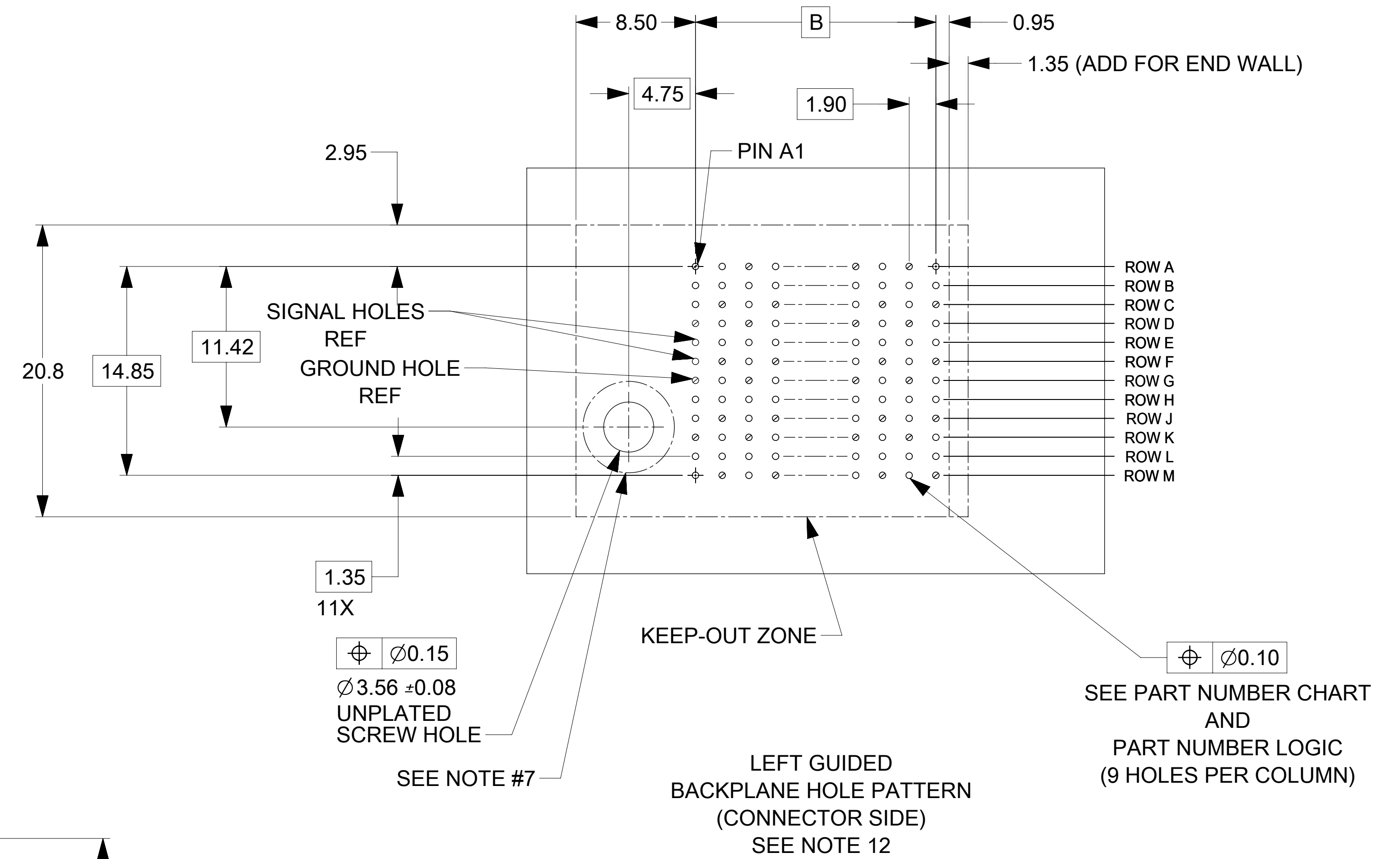
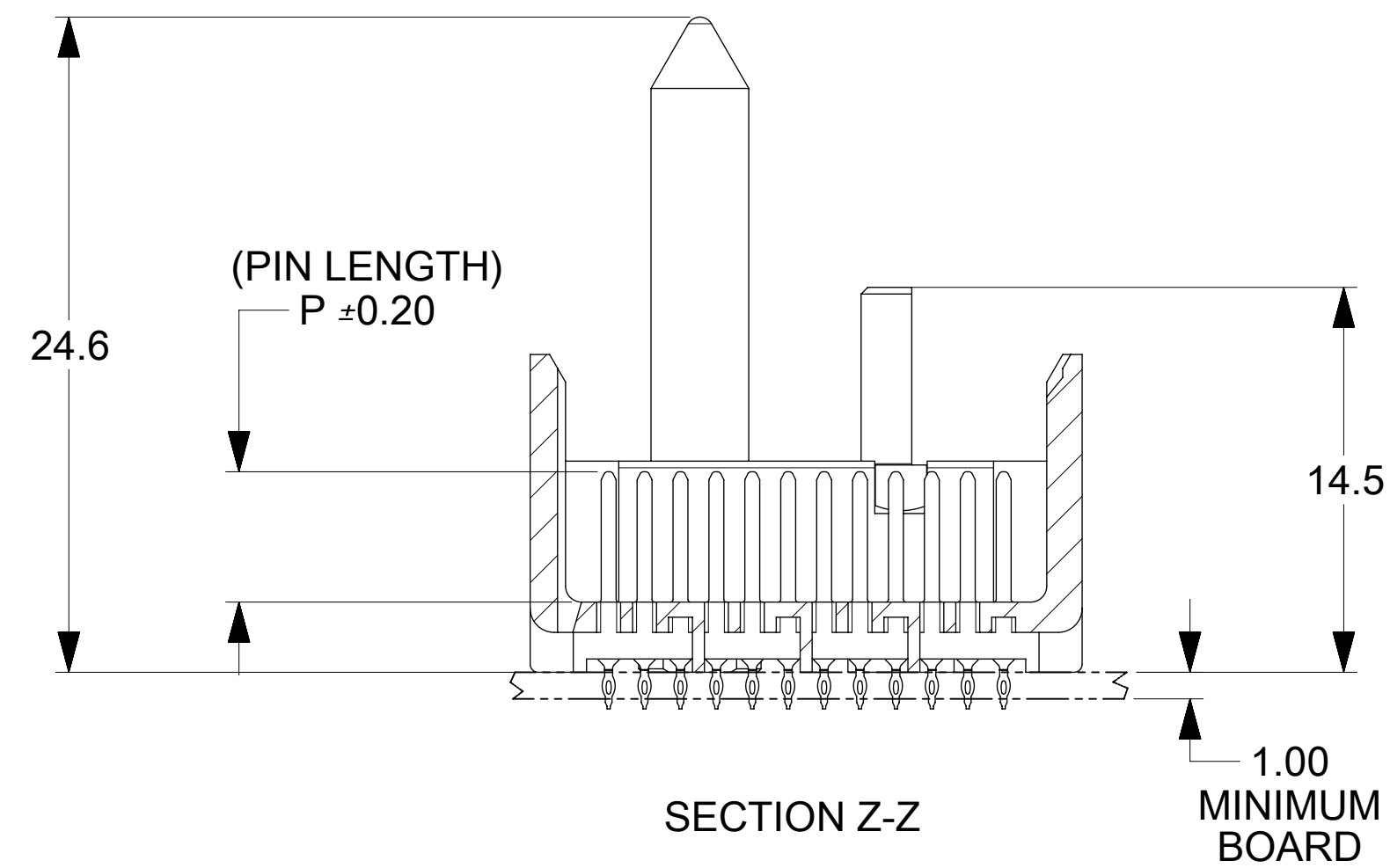
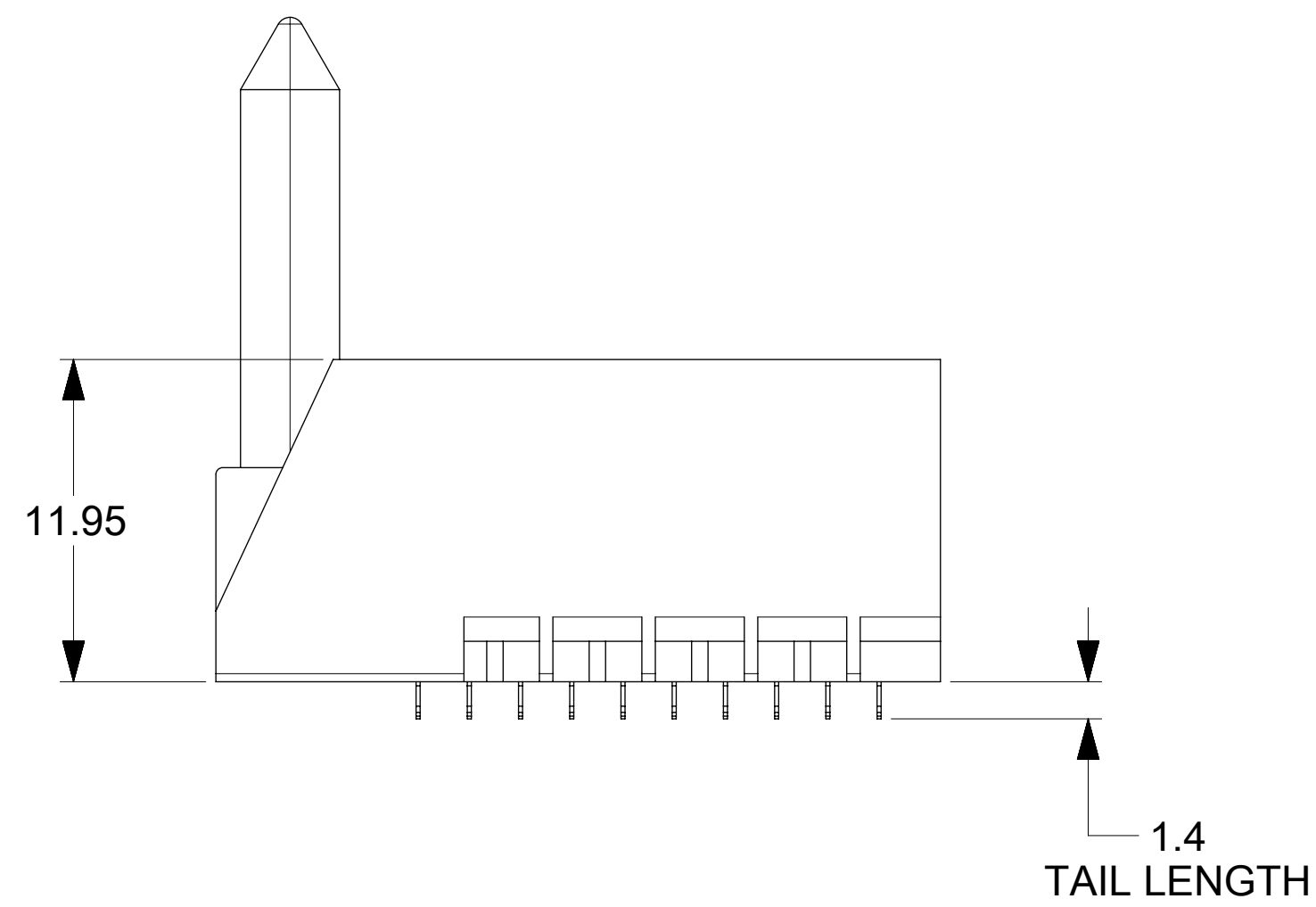
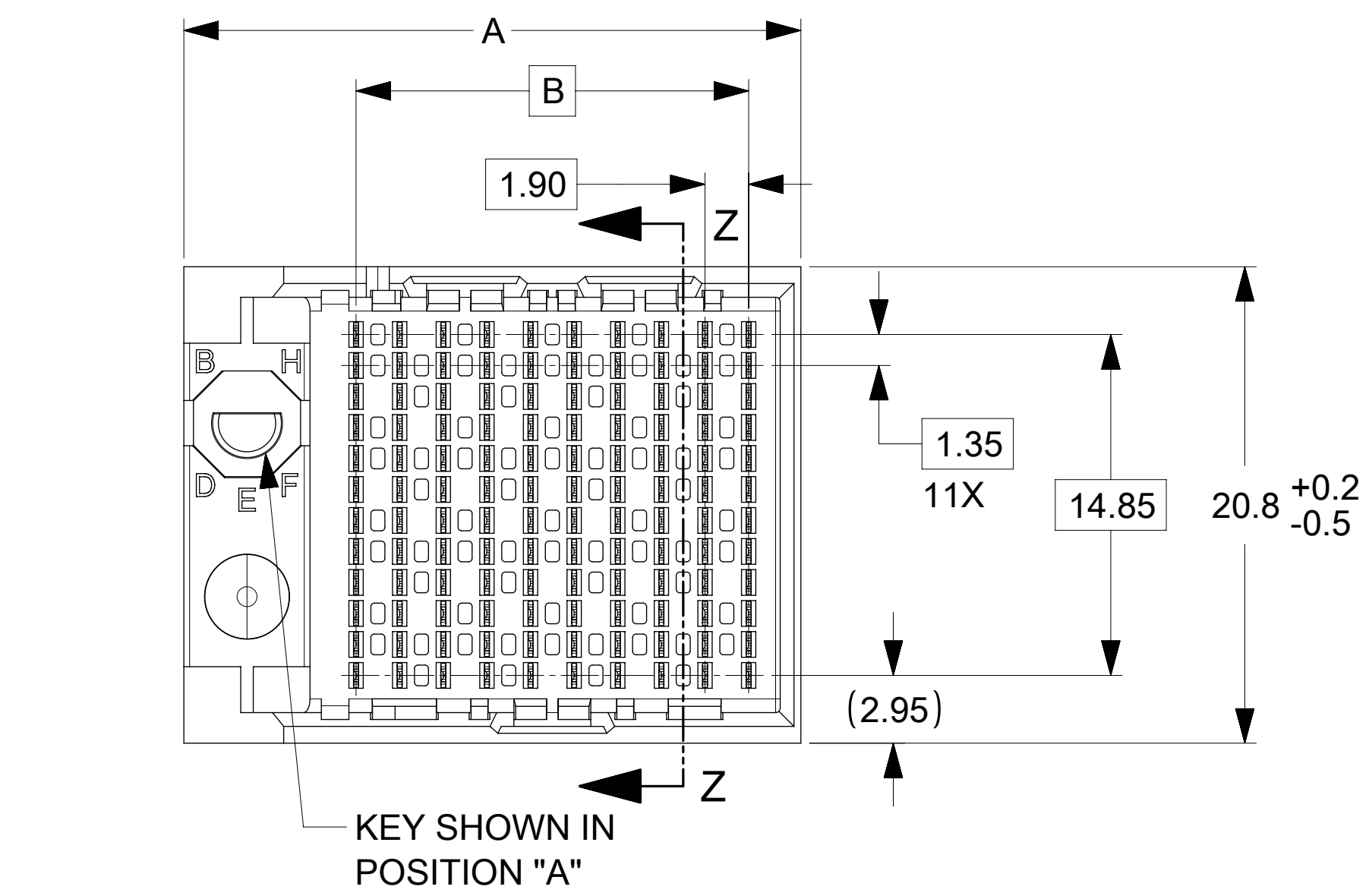
QUALITY SYMBOLS	THIS DRAWING CONTAINS INFORMATION THAT IS PROPRIETARY TO MOLEX ELECTRONIC TECHNOLOGIES, LLC AND SHOULD NOT BE USED WITHOUT WRITTEN PERMISSION											
▽ = 0	MIGRATED TO NX EC NO: 123322 DRWN: NSRVATSAHS CHKD: PRAMASWAMY REV / APPR: PRAMASWAMY	2017/10/06 2017/10/17 2017/10/18	GENERAL TOLERANCES (UNLESS SPECIFIED)		DIMENSION UNITS	SCALE	molex					
▽ = 0			ANGULAR TOL ± 0.5 °		mm	2.5:1						
▽ = 0			4 PLACES ±		DRWN BY	DATE	IMPACT 4 PAIR BACKPLANE UNGUIDED ASSEMBLY SALES DRAWING					
▽ = 0			3 PLACES ±		GES	2012/05/22						
▽ = 0			2 PLACES ± 0.13		CHKD BY	DATE	PRODUCT CUSTOMER DRAWING					
▽ = 0			1 PLACE ± 0.25		PRAMASWAMY	2017/10/17						
▽ = 0			0 PLACES ±		APPR BY	DATE	SERIES MATERIAL NUMBER CUSTOMER 171294 SEE CHART GENERAL MARKET					
▽ = 0			DRAFT WHERE APPLICABLE MUST REMAIN WITHIN DIMENSIONS		RNELSON	2012/06/04						
▽ = 0			DRAWING SIZE		THIRD ANGLE PROJECTION		C		DOCUMENT NUMBER DOC TYPE DOC PART SHEET NUMBER SD-171294-0001 PSD 001 2 OF 3			



IMPACT 4 PAIR
BOARD RELATIONSHIPS



QUALITY SYMBOLS	THIS DRAWING CONTAINS INFORMATION THAT IS PROPRIETARY TO MOLEX ELECTRONIC TECHNOLOGIES, LLC AND SHOULD NOT BE USED WITHOUT WRITTEN PERMISSION											
▽ = 0	MIGRATED TO NX EC NO: 123322 DRWN: NSRVATSAHS CHKD: PRAMASWAMY REV / APPR: PRAMASWAMY	2017/10/06 2017/10/17 2017/10/18	GENERAL TOLERANCES (UNLESS SPECIFIED)			DIMENSION UNITS	SCALE	molex				
▽ = 0			ANGULAR TOL ± 0.5 °			mm	3:1					
▽ = 0			4 PLACES ±			DRWN BY	DATE	IMPACT 4 PAIR BACKPLANE UNGUIDED ASSEMBLY SALES DRAWING				
▼ = 0			3 PLACES ±			GES	2012/05/22					
▽ = 0			2 PLACES ± 0.13			CHKD BY	DATE	PRODUCT CUSTOMER DRAWING				
▽ = 0			1 PLACE ± 0.25			PRAMASWAMY	2017/10/17					
⊠ = 0			0 PLACES ±			APPR BY	DATE	SERIES MATERIAL NUMBER CUSTOMER 171294 SEE CHART GENERAL MARKET				
■ = 0			DRAFT WHERE APPLICABLE MUST REMAIN WITHIN DIMENSIONS			RNELSON	2012/06/04					
▽ = 0			B1			DRAWING SIZE	THIRD ANGLE PROJECTION	DOCUMENT NUMBER		DOC TYPE	DOC PART	SHEET NUMBER
						C		SD-171294-0001		PSD	001	3 OF 3

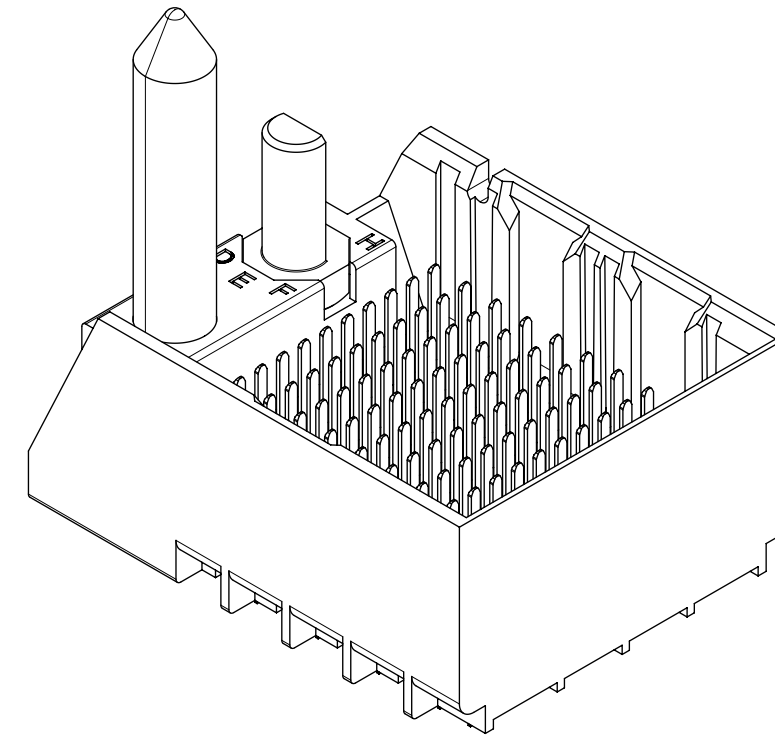


- NOTES:
- MATERIALS: HOUSING - LIQUID CRYSTAL POLYMER (LCP)
GLASS-FILLED, UL94V-0
TERMINALS - HIGH PERFORMANCE COPPER ALLOY
 - FINISH: 10 μINCH MIN GOLD IN CONTACT AREA.
SELECTIVE MATTE TIN ON PCB TAILS, NICKEL OVERALL.
 - REFER TO MOLEX PRODUCT SPECIFICATION PS-76060-999 FOR PERFORMANCE SPECIFICATIONS AND ADDITIONAL PCB INFORMATION.
 - THIS PART CONFORMS TO CLASS B REQUIREMENTS OF MOLEX COSMETIC SPEC PS-45499-002.
 - PARTS PACKAGEE PER PK-70873-757.
 - SEE SHEETS 2 & 3 FOR PART NUMBERS AND BOARD RELATIONSHIPS.
 - FOR GROUNDED GUIDE PINS USE DIA. 3.56 +/-0.08 (PTH)
DIA. 3.66 (DRILL) AND DIA 6.5 (PAD).
 - MATES WITH IMPACT DC SERIES NO. 76160.
 - KEEP OUT ZONE FOR BP HOUSING LENGTH INCLUDES AN ADDITIONAL 1.0MM TO ACCOMMODATE FOR SPACE REQUIRED BY DC FRONT HOUSING.
 - REFER TO MOLEX PCB ROUTING GUIDE AS-76060-990 FOR ANTIPAD AND ROUTING RECOMMENDATIONS.
 - CONNECTORS SUPPLIED WITH A 2-56 UNC-2A SCREW.
 - "THESE DIMENSIONS REPRESENT THE AREA NEEDED TO ACCOMMODATE CONNECTOR INSERTION AND REPAIR ON THE PC BOARD. THIS IS REFERRED TO AS THE "CONNECTOR KEEP OUT ZONE" AND DOES NOT REPRESENT THE ACTUAL PERIMETER OF THE CONNECTOR. WHEN LAYING OUT A PC BOARD FOR CONNECTORS STACKED TOGETHER, USE A 1.9mm PROGRESSION."

THIS DRAWING CONTAINS INFORMATION THAT IS PROPRIETARY TO MOLEX ELECTRONIC TECHNOLOGIES, LLC AND SHOULD NOT BE USED WITHOUT WRITTEN PERMISSION										
QUALITY SYMBOLS	MIGRATED TO NX				GENERAL TOLERANCES (UNLESS SPECIFIED)	DIMENSION UNITS	SCALE			
▽ = 0 ▽ = 0 ▽ = 0 ▽ = 0 ▽ = 0 ▽ = 0 ▽ = 0 ▽ = 0	EC NO: 123322 DRWN: NSRIVATSAHS CHKD: PRAMASWAMY REV APPR: PRAMASWAMY	2017/10/09 2017/10/17 2017/10/18	4 PLACES ± 3 PLACES ± 2 PLACES ± 0.13 1 PLACE ± 0.25 0 PLACES ±	ANGULAR TOL ± 0.5 °	mm	4:1	IMPACT 4 PAIR BACKPLANE LEFT GUIDED ASSEMBLY SALES DRAWING			
DRAFT WHERE APPLICABLE MUST REMAIN WITHIN DIMENSIONS					DRAWING SIZE	THIRD ANGLE PROJECTION	PRODUCT CUSTOMER DRAWING			
C1					D	171294 SD-171294-0002		SEE CHART PSD	GENERAL MARKET 001	1 OF 3

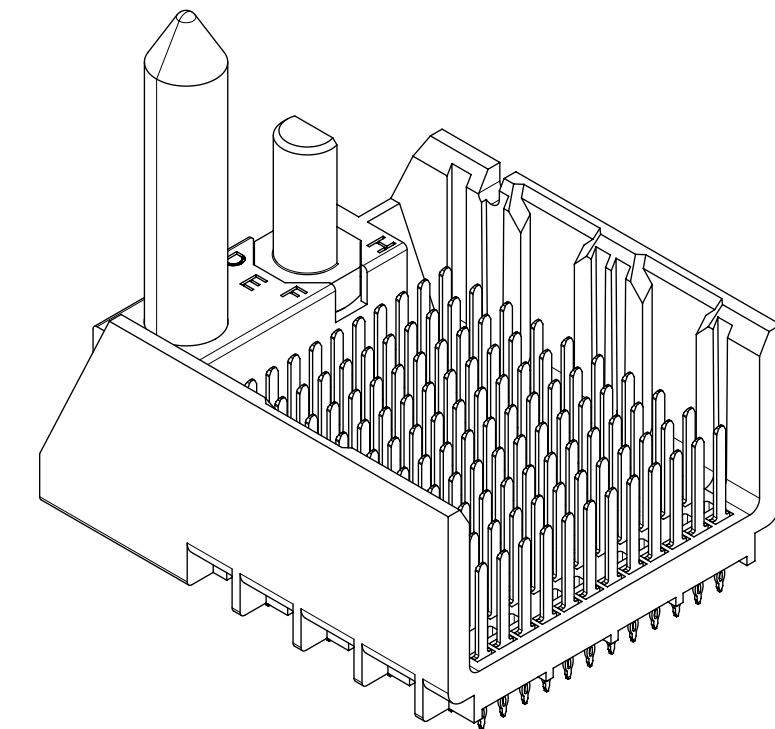
PART NUMBER CHART

MATERIAL NUMBER	# OF COLUMNS	# OF DIFF PAIR	DIM "A"	DIM "B"	GUIDE LEFT END WALL OPTION
171294-73**	6	24	19.3	9.50	
171294-78**	8	32	23.1	13.30	
171294-71**	10	40	26.9	17.10	
171294-76**	16	64	38.3	28.50	



GUIDE LEFT
END WALL
OPTION

MATERIAL NUMBER	# OF COLUMNS	# OF DIFF PAIR	DIM "A"	DIM "B"	GUIDE LEFT OPEN WALL OPTION
171294-33**	6	24	17.9	9.50	
171294-38**	8	32	21.7	13.30	
171294-31**	10	40	25.5	17.10	
171294-36**	16	64	36.9	28.50	



GUIDE LEFT
OPEN WALL
OPTION

PART NUMBER LOGIC

171294- * * * *

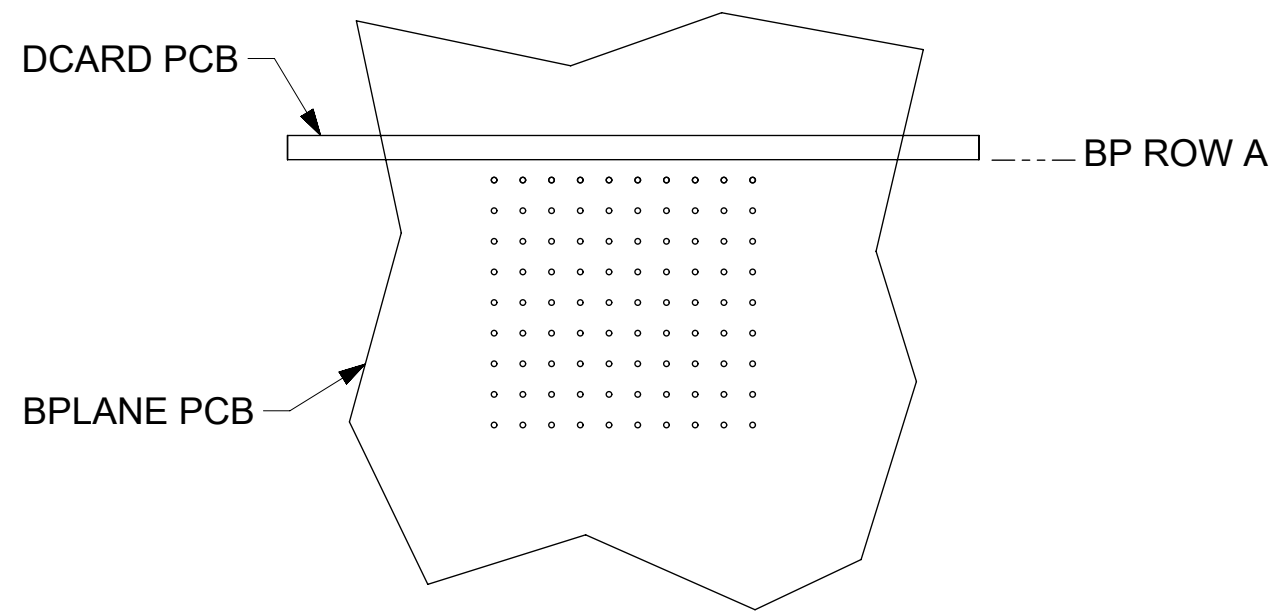
MODULE TYPE
 3 = GUIDE LEFT, MATTE TIN
 7 = GUIDE LEFT END WALL, MATTE TIN

OF COLUMNS
 1 = 10 COL
 3 = 6 COL
 6 = 16 COL
 8 = 8 COL

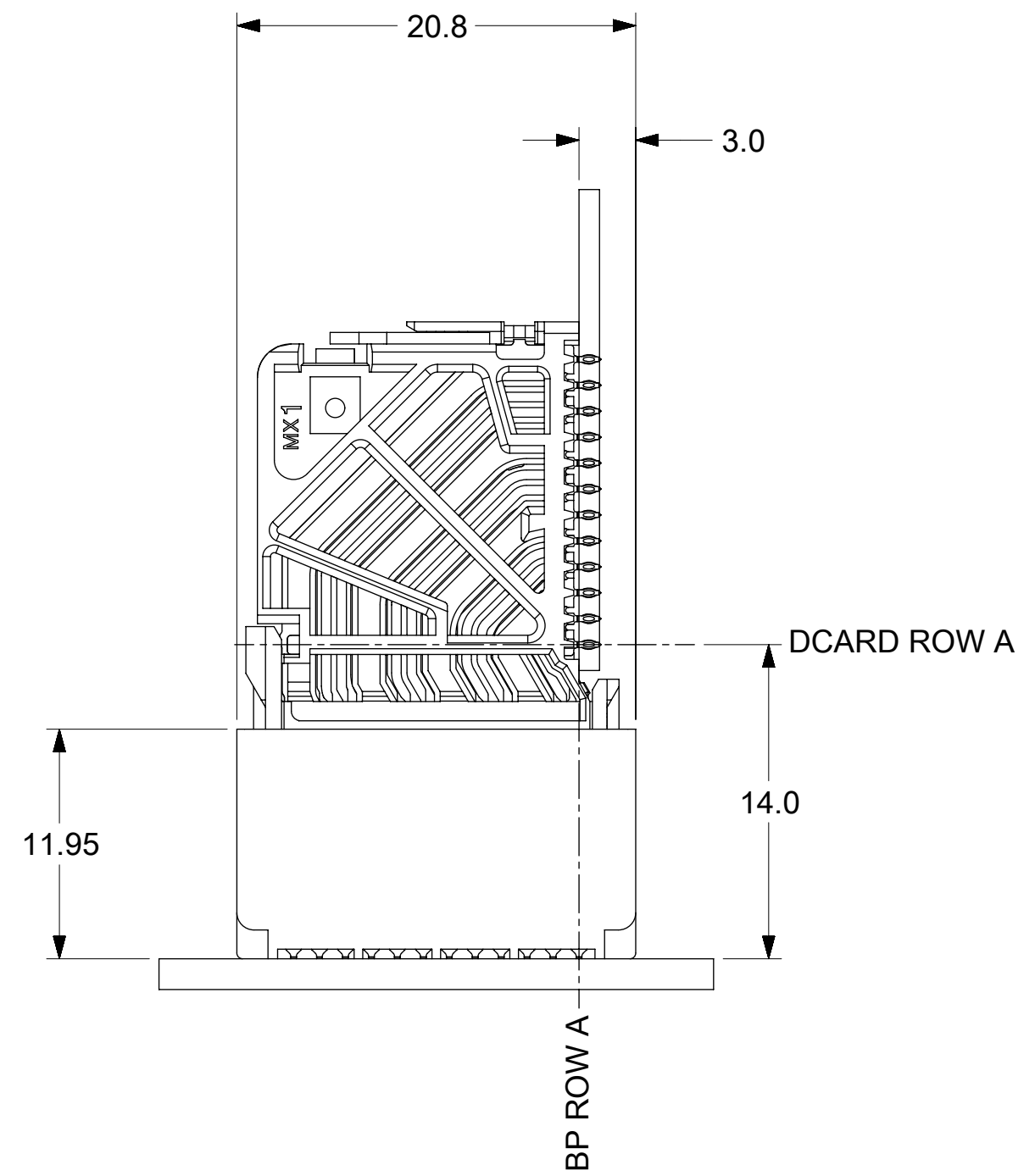
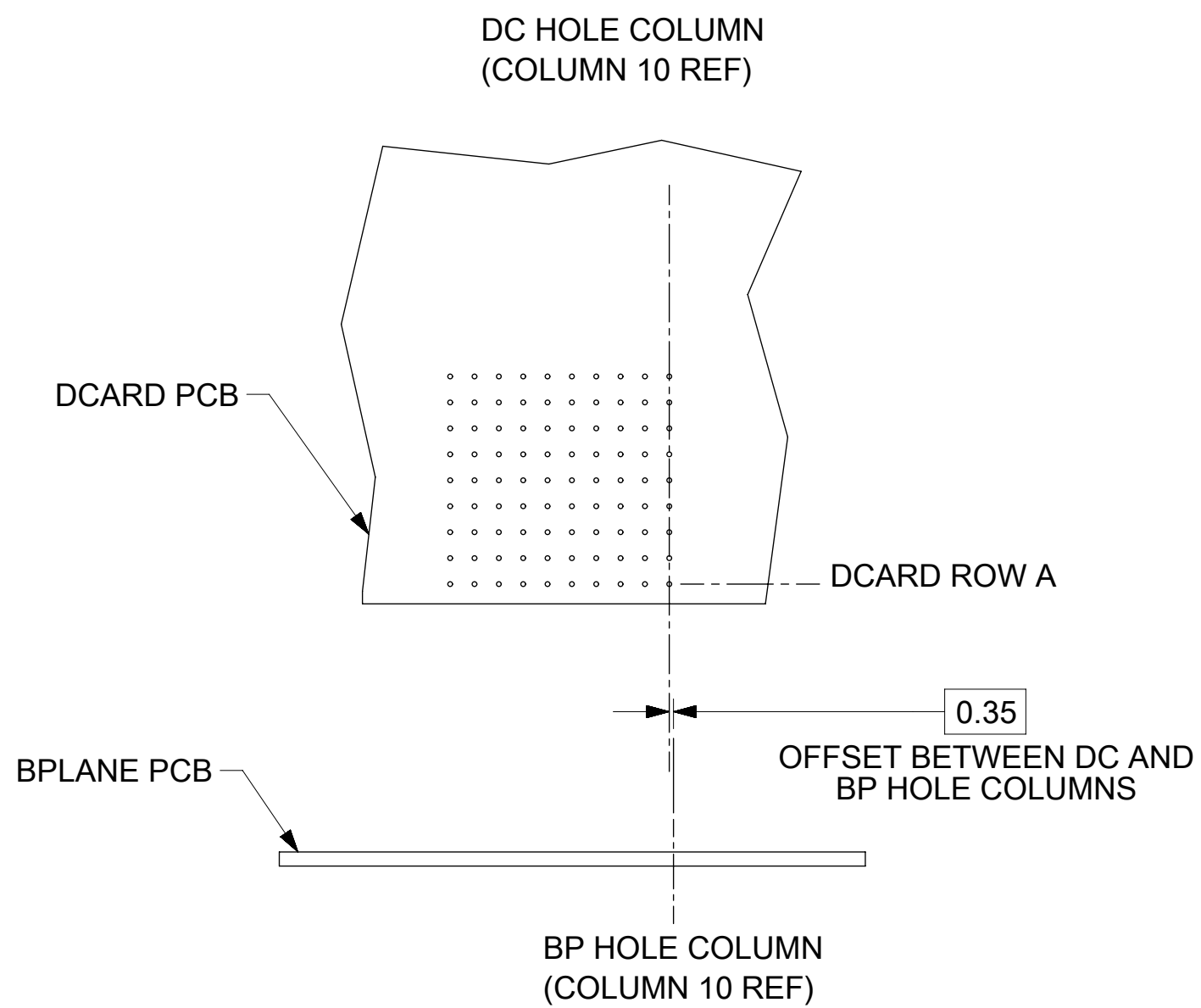
PIN LENGTH (P)
 3 = 4.50 (SHORT COMPLIANT, 0.46±0.05 PTH)
 4 = 4.90 (SHORT COMPLIANT, 0.46±0.05 PTH)
 5 = 5.50 (SHORT COMPLIANT, 0.46±0.05 PTH)
 6 = 4.50 (MICRO COMPLIANT, 0.39±0.05 PTH)
 7 = 4.90 (MICRO COMPLIANT, 0.39±0.05 PTH)
 8 = 5.50 (MICRO COMPLIANT, 0.39±0.05 PTH)

KEY ORIENTATION
 0 = NO KEY
 1 = A
 2 = B
 3 = C
 4 = D
 5 = E
 6 = F
 7 = G
 8 = H

QUALITY SYMBOLS	THIS DRAWING CONTAINS INFORMATION THAT IS PROPRIETARY TO MOLEX ELECTRONIC TECHNOLOGIES, LLC AND SHOULD NOT BE USED WITHOUT WRITTEN PERMISSION										
▽ = 0	EC NO: 123322 DRWN: NSRVATSAHS 2017/10/09 CHKD: PRAMASWAMY 2017/10/17 APPR: PRAMASWAMY 2017/10/18 MIGRATED TO NX	GENERAL TOLERANCES (UNLESS SPECIFIED)		DIMENSION UNITS	SCALE						
▽ = 0		ANGULAR TOL ± 0.5 °		mm	3:1						
▽ = 0		4 PLACES ±	DRWN BY		DATE		IMPACT 4 PAIR BACKPLANE LEFT GUIDED ASSEMBLY SALES DRAWING				
▽ = 0		3 PLACES ±	JBINGHAM		2011/11/18						
▽ = 0		2 PLACES ± 0.13	CHKD BY		DATE						
▽ = 0		1 PLACE ± 0.25	JLAURX		2011/11/18						
▽ = 0		0 PLACES ±	APPR BY		DATE		PRODUCT CUSTOMER DRAWING				
▽ = 0		DRAFT WHERE APPLICABLE MUST REMAIN WITHIN DIMENSIONS		DRAWING SIZE	THIRD ANGLE PROJECTION		SERIES	MATERIAL NUMBER	CUSTOMER		
▽ = 0		C1	C	C		171294		SEE CHART	GENERAL MARKET		
							DOCUMENT NUMBER	DOC TYPE	DOC PART	SHEET NUMBER	
						SD-171294-0002	PSD	001	2 OF 3		



IMPACT 4 PAIR BOARD RELATIONSHIPS



QUALITY SYMBOLS ▽ = 0 ▽ = 0 ▽ = 0 ▼ = 0 ▽ = 0 ⊠ = 0 ■ = 0 ▽ = 0	THIS DRAWING CONTAINS INFORMATION THAT IS PROPRIETARY TO MOLEX ELECTRONIC TECHNOLOGIES, LLC AND SHOULD NOT BE USED WITHOUT WRITTEN PERMISSION										
	EC NO: 123322 DRWN: NSRVATSAHS CHKD: PRAMASWAMY REV: APPR: PRAMASWAMY	2017/10/09 2017/10/17 2017/10/18	GENERAL TOLERANCES (UNLESS SPECIFIED) ANGULAR TOL ± 0.5 ° 4 PLACES ± 3 PLACES ± 2 PLACES ± 0.13 1 PLACE ± 0.25 0 PLACES ±	DIMENSION UNITS: mm SCALE: 1:1	DRWN BY: JBINGHAM DATE: 2011/11/18		CHKD BY: JLAURX DATE: 2011/11/18		APPR BY: JLAURX DATE: 2011/12/02		DRAWING SIZE: C THIRD ANGLE PROJECTION
MIGRATED TO NX			PRODUCT CUSTOMER DRAWING			SERIES: 171294 MATERIAL NUMBER: SEE CHART CUSTOMER: GENERAL MARKET		DOCUMENT NUMBER: SD-171294-0002 DOC TYPE: PSD DOC PART: 001 SHEET NUMBER: 3 OF 3			