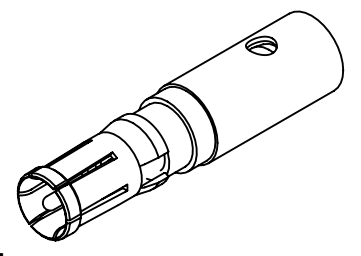
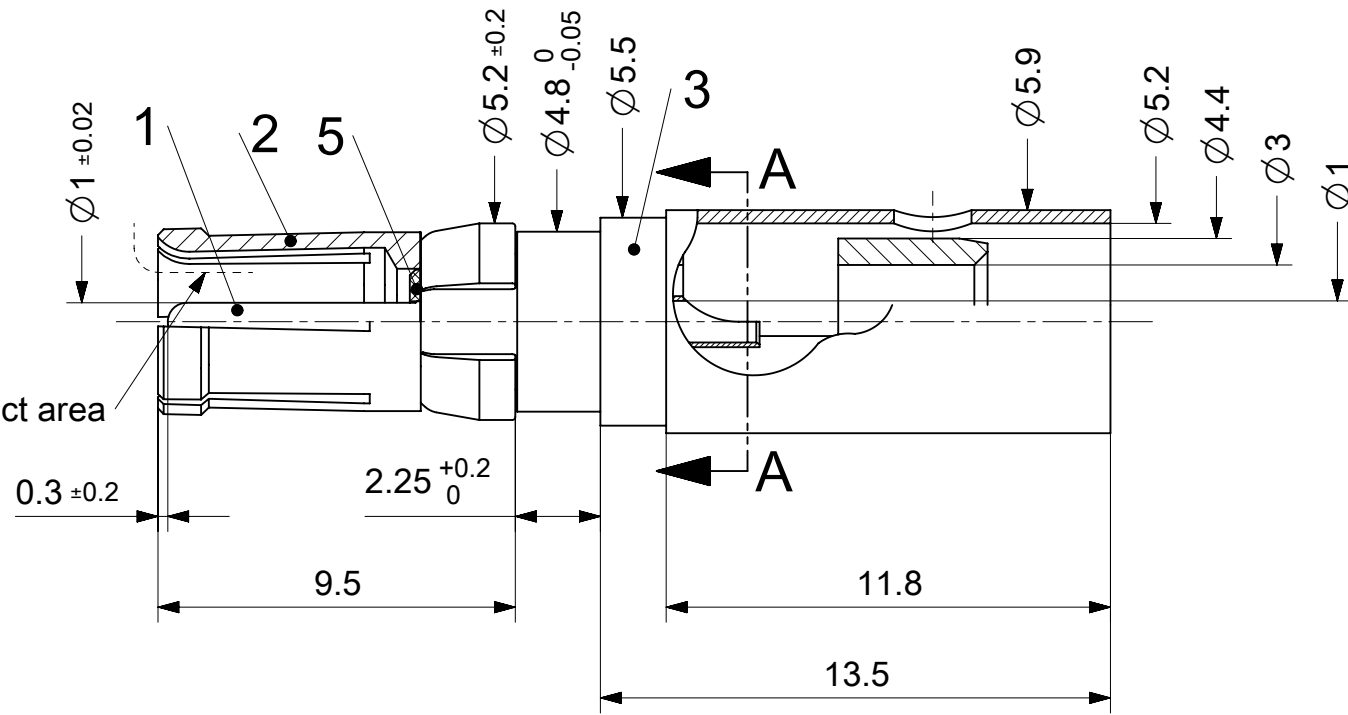


A-A

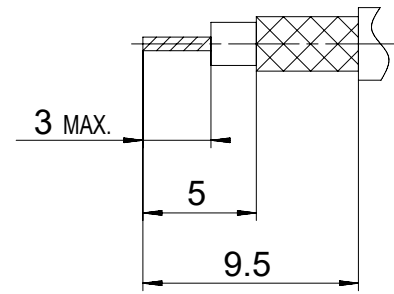


RoHS compliant
by exemption

Crimping tools see document 2195600660
Cable RG58CU, RG141AU

1731120168	FMX008S102	102
Material Number	FCT Part Number	Material + Finish See extra sheet

Cable trimming dimensions



UNLESS OTHERWISE SPECIFIED DIMENSIONS FOR REFERENCE ONLY				REPLACEMENT FOR DOCUMENT NUMBER: FMX008S			
THIS DRAWING CONTAINS INFORMATION THAT IS PROPRIETARY TO MOLEX ELECTRONIC TECHNOLOGIES, LLC AND SHOULD NOT BE USED WITHOUT WRITTEN PERMISSION							
FUNCTIONAL SYMBOLS	DIMENSION UNITS	SCALE	CURRENT REV DESC:				
$\frac{F}{A} = 0$	mm	5:1	EC NO: 710219 DRWN: VLOKESHA 2021/04/23 CHK'D: MTEUBEL 2022/06/22 APPR: MTEUBEL 2022/06/22 INITIAL REVISION: DRWN: VLOKESHA 2021/04/23 APPR: MTEUBEL 2022/06/22				
$\frac{F}{E} = 0$	GENERAL TOLERANCES (UNLESS SPECIFIED)						
$\frac{F}{P} = 0$	ANGULAR TOL ± °						
DIVISIONAL SYMBOLS	4 PLACES ±	3 PLACES ±					
	2 PLACES ±	1 PLACE ±	DOCUMENT NUMBER				
	0 PLACES ±		1731120168		DOC TYPE	DOC PART	REVISION
DRAFT WHERE APPLICABLE MUST REMAIN WITHIN DIMENSIONS		FIRST ANGLE PROJECTION	DRAWING	SERIES	MATERIAL NUMBER	CUSTOMER	SHEET NUMBER
			A4-SIZE	173112	SEE TABLE	GENERAL MARKET	1 OF 1

molex
FCT 50 OHM COAXIAL CONTACT FOR D-SUB

DOCUMENT STATUS	P1	RELEASE DATE	2022/06/22	10:22:27
-----------------	----	--------------	------------	----------