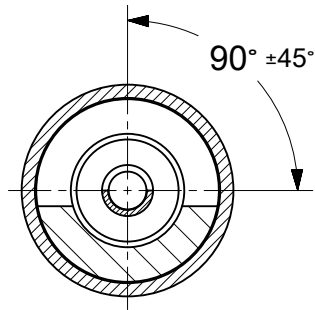


RoHS compliant
by exemption

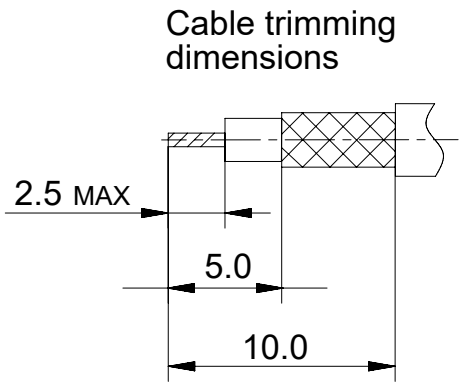
Crimping tools see document 2195600660
Cable RG174U, RG188AU, RG316U

1731120619	FDX002S102	102
1731120793	FDX002S116	116
Material Number	FCT Part Number	Material + Finish See extra sheet



Solderpot position

A-A



Cable trimming
dimensions

UNLESS OTHERWISE SPECIFIED DIMENSIONS FOR REFERENCE ONLY				REPLACEMENT FOR DOCUMENT NUMBER: FDX002S			
THIS DRAWING CONTAINS INFORMATION THAT IS PROPRIETARY TO MOLEX ELECTRONIC TECHNOLOGIES, LLC AND SHOULD NOT BE USED WITHOUT WRITTEN PERMISSION							
FUNCTIONAL SYMBOLS	DIMENSION UNITS	SCALE	CURRENT REV DESC:				
$\nabla_A = 0$	mm	5:1	EC NO: 712027 DRWN: VLOKESHA 2021/05/19 CHK'D: MTEUBEL 2022/06/29 APPR: MTEUBEL 2022/06/29 INITIAL REVISION: DRWN: VLOKESHA 2021/05/19 APPR: MTEUBEL 2022/06/29				
$\nabla_E = 0$	GENERAL TOLERANCES (UNLESS SPECIFIED)						
$\nabla_P = 0$	ANGULAR TOL ± °						
DIVISIONAL SYMBOLS	4 PLACES	±					
	3 PLACES	±					
	2 PLACES	±	PRODUCT CUSTOMER DRAWING				
	1 PLACE	±	DOCUMENT NUMBER		DOC TYPE	DOC PART	REVISION
	0 PLACES	±	1731120619		PSD	000	A
DRAFT WHERE APPLICABLE MUST REMAIN WITHIN DIMENSIONS		FIRST ANGLE PROJECTION	DRAWING	SERIES	MATERIAL NUMBER	CUSTOMER	SHEET NUMBER
			A4-SIZE	173112	SEE TABLE	GENERAL MARKET	1 OF 1