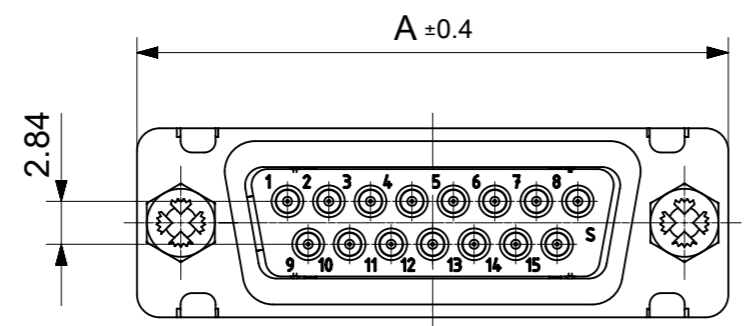
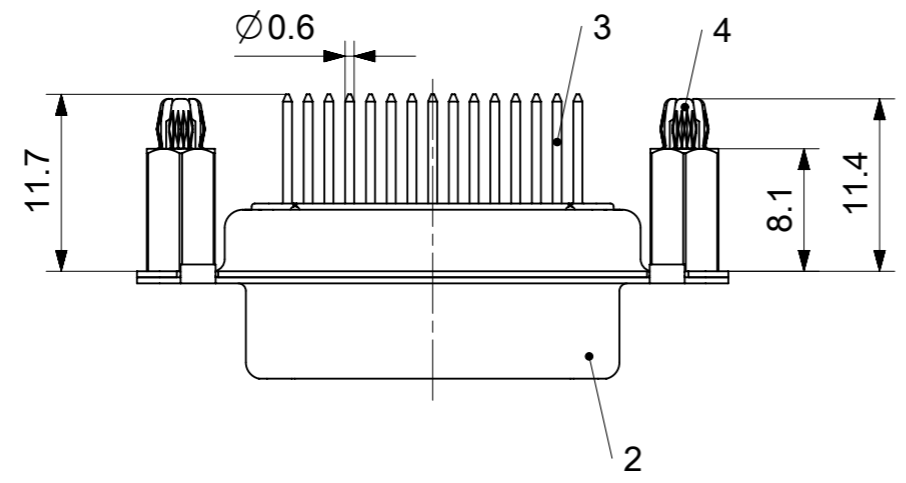
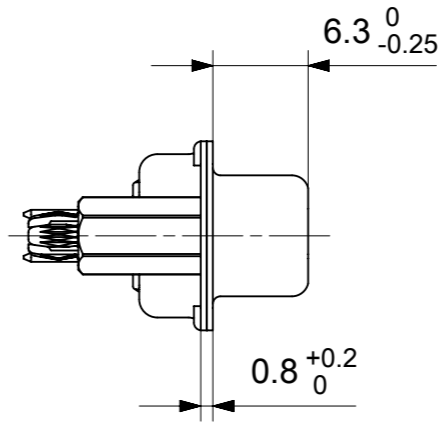
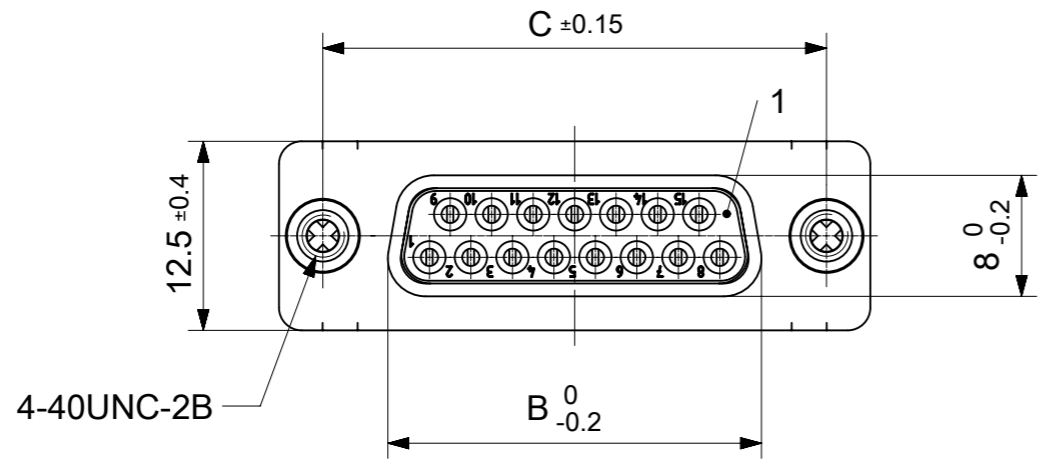


RoHS compliant
by exemption



FCT Part number:

Fxx*1)S22y*2)-0903

e.g. F15S22G1-0903

*1) xx No. of contacts 09, 15, 25 or 37

*2) y for performance classes 1, 2 or 3

(contact cycle for G1/G2/G3 = 500/200/50)

Material Number	xx*1)	y*2)	A[mm]	B[mm]	C[mm]	*E[mm]	*F[mm]
1731092017	09	G2	30.8	16.4	25	Ø1	Ø3
-	15	-	39.1	24.7	33.3		
1731090689	25	G1	53	38.5	47.04		
-	37	-	69.3	54.9	63.5		

*PCB hole patterns ØE, ØF see document 2195600023

No.	Pc.	Part	Type Description/Material	Surface plating/Color/Class
4	2	Snap-in bolt	PCB 1.6mm / Brass	tin plated
3	xx	Signal contact	S22 / Brass	G1 / G2
2	1	Shell	Steel	tin plated
1	1	Insulator	PBT (-55°C to +125°C) acc. UL94V-0	white

MEASUREMENTS WITHOUT TOLERANCE ACC TO ISO 2768-m REPLACEMENT FOR DOCUMENT NUMBER: FxxS22Gy-0903

FUNCTIONAL SYMBOLS	THIS DRAWING CONTAINS INFORMATION THAT IS PROPRIETARY TO MOLEX ELECTRONIC TECHNOLOGIES, LLC AND SHOULD NOT BE USED WITHOUT WRITTEN PERMISSION	CURRENT REV DESC:		molex						
	GENERAL TOLERANCES (UNLESS SPECIFIED)	EC NO: 712793								
	ANGULAR TOL ± °	DRWN: SKANDB 2021/12/13								
	4 PLACES ±	CHK'D: MTEUBEL 2022/07/04								
DIVISIONAL SYMBOLS	3 PLACES ±	APPR: MTEUBEL 2022/07/04		PRODUCT CUSTOMER DRAWING						
	2 PLACES ±	INITIAL REVISION:								
	1 PLACE ±	DRWN: SKANDB 2021/12/13								
	0 PLACES ±	APPR: MTEUBEL 2022/07/04								
DRAFT WHERE APPLICABLE MUST REMAIN WITHIN DIMENSIONS		FIRST ANGLE PROJECTION	DRAWING	SERIES	MATERIAL NUMBER	CUSTOMER	DOCUMENT NUMBER	DOC TYPE	DOC PART	REVISION
			A3-SIZE	173109	SEE TABLE	GENERAL MARKET	1731092017	PSD	000	A
										SHEET NUMBER
										1 OF 1



ØE, ØF see data sheet incl. connector
 ØF connectors with accessories only

MEASUREMENTS WITHOUT TOLERANCE ACC TO ISO 2768-m			REPLACEMENT FOR DOCUMENT NUMBER: AM0023		
THIS DRAWING CONTAINS INFORMATION THAT IS PROPRIETARY TO MOLEX ELECTRONIC TECHNOLOGIES, LLC AND SHOULD NOT BE USED WITHOUT WRITTEN PERMISSION					
FUNCTIONAL SYMBOLS	DIMENSION UNITS	SCALE	CURRENT REV DESC:		
$\nabla_A = 0$	mm	2:1	EC NO: 713905		
$\nabla_E = 0$	GENERAL TOLERANCES (UNLESS SPECIFIED)		DRWN: SKANDB 2022/05/16		
$\nabla_P = 0$	ANGULAR TOL ± °		CHK'D: MTEUBEL 2022/07/12		
DIVISIONAL SYMBOLS	4 PLACES ±		APPR: MTEUBEL 2022/07/12		
	3 PLACES ±		INITIAL REVISION:		
	2 PLACES ±		DRWN: SKANDB 2022/05/16		
	1 PLACE ±		APPR: MTEUBEL 2022/07/12		
	0 PLACES ±		DRAFT WHERE APPLICABLE MUST REMAIN WITHIN DIMENSIONS		
	FIRST ANGLE PROJECTION	DRAWING	SERIES	MATERIAL NUMBER	CUSTOMER
		A3-SIZE	219560	219560	GENERAL MARKET
			DOCUMENT NUMBER	DOC TYPE	DOC PART
			2195600023	PSD	000
			REVISION		
			A		
			SHEET NUMBER		
			1 OF 1		