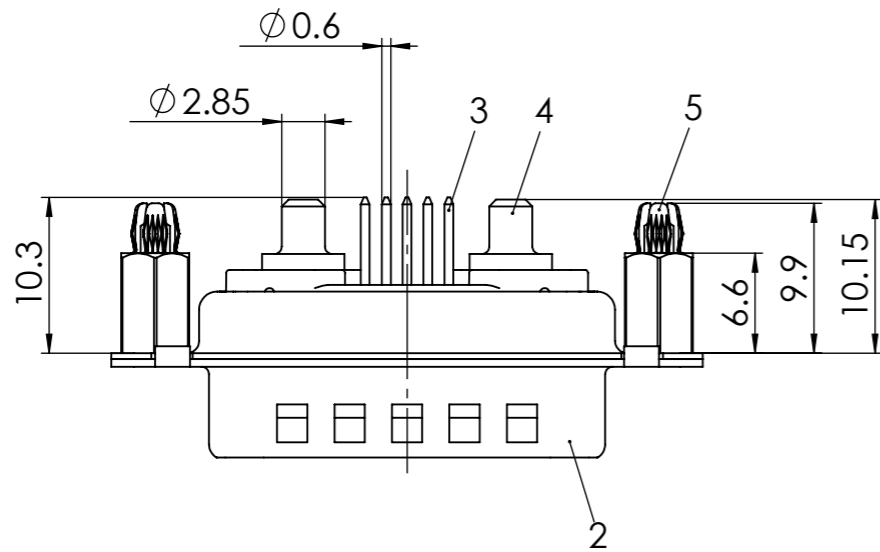
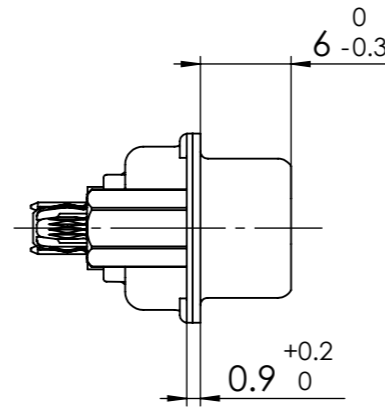
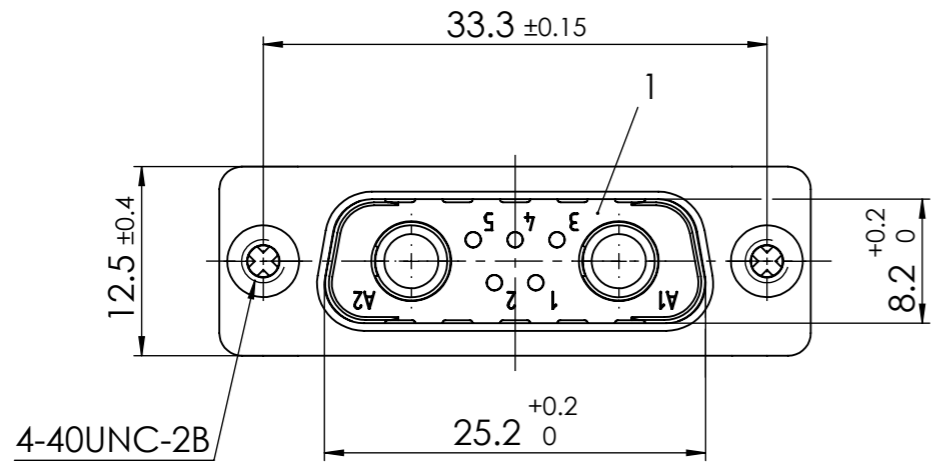
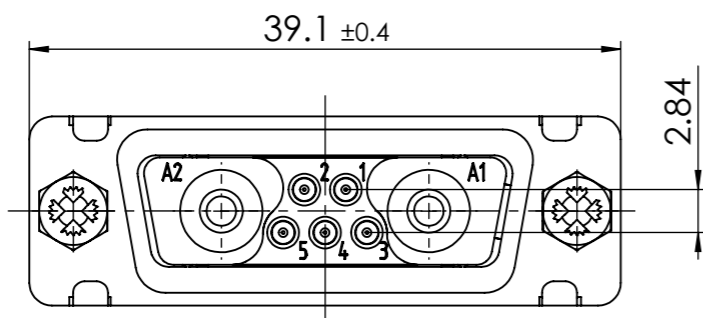
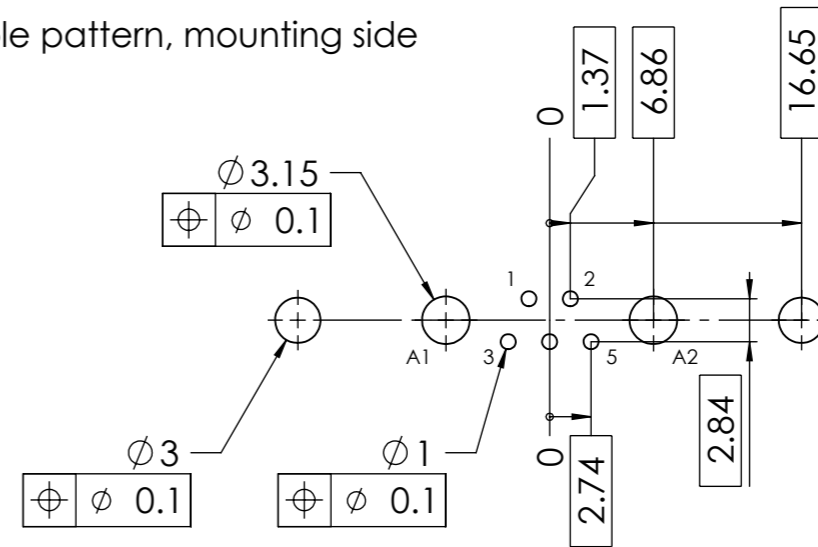


RoHS compliant  
by exemption



PCB hole pattern, mounting side



No.	St.	Part	Type Description/Material	Surface plating/Colour/Class
5	2	Snap-in bolt	PCB 1.6mm / Brass	tin plated
4	2	High power contact	FMP010P104	20A
3	5	Signal contact	P1 / Brass	0.8µm Au
2	1	Shell	Steel	tin plated
1	1	Insulator	PBT (-55°C to +130°C) acc. UL94V-0	green

FUNCTIONAL SYMBOLS					THIS DRAWING CONTAINS INFORMATION THAT IS PROPRIETARY TO MOLEX ELECTRONIC TECHNOLOGIES, LLC AND SHOULD NOT BE USED WITHOUT WRITTEN PERMISSION					
▽ = 0	mm	SCALE	2:1	MEASUREMENTS WITHOUT TOLERANCE ACC. TO	<b>molex</b>					
▽ = 0				ISO 2768-m						
▽ = 0					CURRENT REVISION					
					DRWN: DRAWN BY	msteinbrueck	07-09-2023	FCT D-Sub Mixed-Layout Connector		
					APPR: APPR BY	mteubel	15-09-2023			
					INITIAL REVISION					
					DRWN: DRAWN BY	sschref	10-01-2005	PRODUCT CUSTOMER DRAWING		
					APPR: APPR BY	aschiekofer	10-01-2005			
					REVISION			MATERIAL NUMBER		REVISION
								1731071111		3
					REPLACEMENT FOR:			DOCUMENT NUMBER		CUSTOMER
					1731071111_Rev. A1			FM7W2P1-1410		GENERAL MARKET
					FIRST ANGLE PROJECTION			DRAWING		SHEET NUMBER
					A3-SIZE					1 OF 1

COMMENT: ALL RIGHTS ARE RESERVED BY US FOR THIS DRAWING. WITHOUT OUR PRIOR CONSENT, IT MAY NEITHER BE DUPLICATED NOR MADE AVAILABLE TO A THIRD PARTY. AND IT ALSO MAY NOT BE IMPROPERLY USED BY THE RECEIVER, OR A THIRD PARTY.